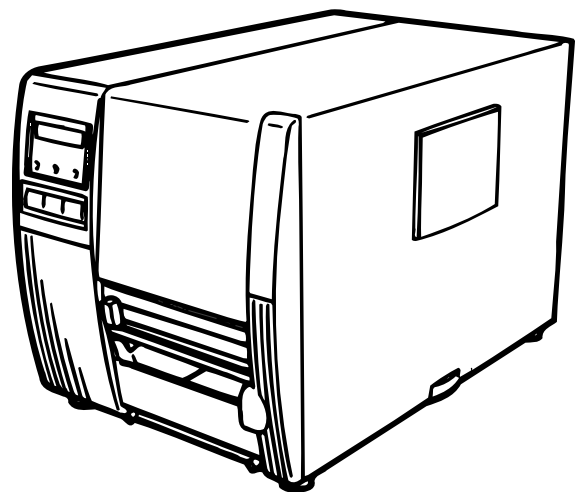


TEC

TEC Thermal Printer

B-570-QP SERIES

Owner's Manual
Mode d'emploi
Bedienungsanleitung
Manual de instrucciones
Gebruikershandleiding



TOSHIBA TEC CORPORATION

LIST OF STANDARDS OF CONFORMITY

Manufacturer : TOSHIBA TEC Corporation
Address : 570 Ohito, Ohito-Cho, Tagata-Gun, Shizuoka-Ken, 410-2323
Japan

declares that following product

Product Name : Bar Code Printer
Model : B-57X-YY
Options : All

conforms to the following product specifications

Safety : EN 60 950
EMC : EN 55 022
EN 61000-4-2
IEC 1000-4-3
EN 61000-4-4
Harmonics : EN 60 555-2, -3

Supplementary Information

The product herewith complies with the requirements of the Low Voltage Directive 73/23/EEC, and the EMC directive 89/336/EEC.

- 1) The product was tested in a typical set up TOSHIBA TEC personnel advocated.
- 2) The following technical documentation has been filed for review.
 - Factory Inspection Certificate by TÜV Rheinland
 - Owner's Manual
 - Schematic
 - Certificates and Test Reports

TEC

TEC Thermal Printer

B-570-QP SERIES

Owner's Manual

Safety Summary

Personal safety in handling or maintaining the equipment is extremely important. Warnings and Cautions necessary for safe handling are included in this manual. All warnings and cautions contained in this manual should be read and understood before handling or maintaining the equipment. Do not attempt to effect repairs or modifications to this equipment. If a fault occurs that cannot be rectified using the procedures described in this manual, turn off the power, unplug the machine, then contact your authorized TOSHIBA TEC representative for assistance.

Meanings of Each Symbol



This symbol indicates warning items (including cautions). Specific warning contents are drawn inside the \triangle symbol. (The symbol on the left indicates a general caution.)



This symbol indicates prohibited actions (prohibited items). Specific prohibited contents are drawn inside or near the \circ symbol. (The symbol on the left indicates "no disassembling".)



This symbol indicates actions which must be performed. Specific instructions are drawn inside or near the \bullet symbol. (The symbol on the left indicates "disconnect the power cord plug from the outlet".)



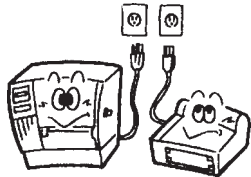
WARNING

This indicates that there is the risk of **death** or **serious injury** if the machines are improperly handled contrary to this indication.



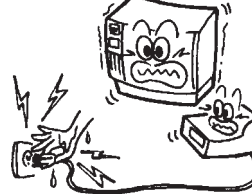
Any other than the specified AC voltage is prohibited.

■ Do not use voltages other than the voltage (AC) specified on the rating plate, as this may cause **fire** or **electric shock**.



Prohibited

■ Do not plug in or unplug the power cord plug with wet hands as this may cause **electric shock**.



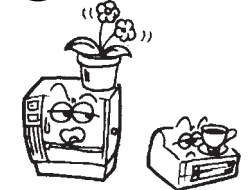
Prohibited

■ If the machines share the same outlet with any other electrical appliances which consume large amounts of power, the voltage will fluctuate widely each time these appliances operate. Be sure to provide an exclusive outlet for the machine as this may cause the machines to **malfunction**.



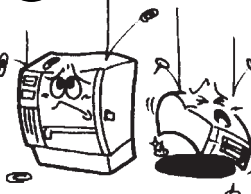
Prohibited

■ Do not place metal objects or water-filled containers such as flower vases, flower pots or mugs, etc. on top of the machines. If metal objects or spilled liquid enter the machines, this may cause **fire** or **electric shock**.



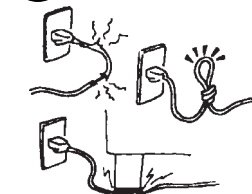
Prohibited

■ Do not insert or drop metal, flammable or other foreign objects into the machines through the ventilation slits, as this may cause **fire** or **electric shock**.



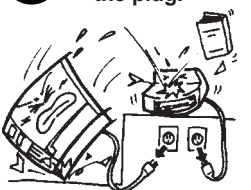
Prohibited

■ Do not scratch, damage or modify the power cords. Also, do not place heavy objects on, pull on, or excessively bend the cords, as this may cause **fire** or **electrical shock**.



Disconnect the plug.


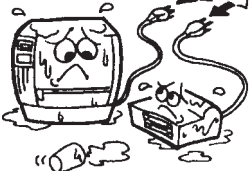

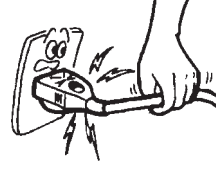



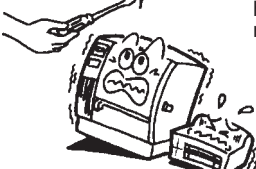
■ If the machines are dropped or their cabinets damaged, first turn off the power switches and disconnect the power cord plugs from the outlet, and then contact your authorized TOSHIBA TEC representative for assistance. Continued use of the machine in that condition may cause **fire** or **electric shock**.




Disconnect the plug.

■ Continued use of the machines in an abnormal condition such as when the machines are producing smoke or strange smells may cause **fire** or **electric shock**. In these cases, immediately turn off the power switches and disconnect the power cord plugs from the outlet. Then, contact your authorized TOSHIBA TEC representative for assistance.



 <p>Disconnect the plug.</p>  <p>■ If foreign objects (metal fragments, water, liquids) enter the machines, first turn off the power switches and disconnect the power cord plugs from the outlet, and then contact your authorized TOSHIBA TEC representative for assistance. Continued use of the machine in that condition may cause fire or electric shock.</p>	 <p>Disconnect the plug.</p>  <p>■ When unplugging the power cords, be sure to hold and pull on the plug portion. Pulling on the cord portion may cut or expose the internal wires and cause fire or electric shock.</p>
 <p>Connect a grounding wire.</p>  <p>■ Ensure that the equipment is properly grounded. Extension cables should also be grounded. Fire or electric shock could occur on improperly grounded equipment.</p>	 <p>No disassembling.</p>  <p>■ Do not remove covers, repair or modify the machine by yourself. You may be injured by high voltage, very hot parts or sharp edges inside the machine.</p>

 **CAUTION** This indicates that there is the risk of personal **Injury** or **damage** to objects if the machines are improperly handled contrary to this indication.

Precautions

The following precautions will help to ensure that this machine will continue to function correctly.

- Try to avoid locations that have the following adverse conditions:
 - * Temperatures out of the specification
 - * Direct sunlight
 - * High humidity
 - * Shared power source
 - * Excessive vibration
 - * Dust/Gas
- The cover should be cleaned by wiping with a dry cloth or a cloth slightly dampened with a mild detergent solution. NEVER USE THINNER OR ANY OTHER VOLATILE SOLVENT on the plastic covers.
- USE ONLY TOSHIBA TEC SPECIFIED paper and ribbons.
- DO NOT STORE the paper or ribbons where they might be exposed to direct sunlight, high temperatures, high humidity, dust, or gas.
- Ensure the printer is operated on a level surface.
- Any data stored in the memory of the printer could be lost during a printer fault.
- Try to avoid using this equipment on the same power supply as high voltage equipment or equipment likely to cause mains interference.
- Unplug the machine whenever you are working inside it or cleaning it.
- Keep your work environment static free.
- Do not place heavy objects on top of the machines, as these items may become unbalanced and fall causing **injury**.
- Do not block the ventilation slits of the machines, as this will cause heat to build up inside the machines and may cause **fire**.
- Do not lean against the machine. It may fall on you and could cause **injury**.
- Care must be taken not to injure yourself with the printer paper cutter.
- Unplug the machine when it is not used for a long period of time.

Request Regarding Maintenance

- Utilize our maintenance services.
After purchasing the machine, contact your authorized TOSHIBA TEC representative for assistance once a year to have the inside of the machine cleaned. Otherwise, dust will build up inside the machines and may cause a **fire** or a **malfunction**. Cleaning is particularly effective before humid rainy seasons.
- Our preventive maintenance service performs the periodic checks and other work required to maintain the quality and performance of the machines, preventing accidents beforehand. For details, please consult your authorized TOSHIBA TEC representative for assistance.
- Using insecticides and other chemicals
Do not expose the machines to insecticides or other volatile solvents. This will cause the cabinet or other parts to deteriorate or cause the paint to peel.

TABLE OF CONTENTS

	Page
1. INTRODUCTION	E1- 1
1.1 Applicable Model	E1- 1
1.2 Accessories	E1- 1
2. SPECIFICATIONS	E2- 1
2.1 Printer	E2- 1
2.2 Options	E2- 1
2.3 Media	E2- 2
2.4 Ribbon	E2- 2
3. OVERVIEW	E3- 1
3.1 Front/Rear View	E3- 1
3.2 Operation Panel	E3- 1
4. DIP SWICH FUNCTIONS	E4- 1
5. INSTALLING THE PRINTER	E5- 1
5.1 Connecting the Power Cord and Cables	E5- 1
5.2 Procedure for Fitting Fan Filter	E5- 1
6. LOADING THE MEDIA	E6- 1
7. LOADING THE RIBBON	E7- 1
8. INSERTING THE OPTIONAL FLASH MEMORY CARD	E8- 1
9. CARE/HANDLING OF THE MEDIA AND RIBBON	E9- 1
10. GENERAL MAINTENANCE	E10- 1
10.1 Cleaning	E10- 1
10.2 Covers and Panels	E10- 2
10.3 Removing Jammed Paper	E10- 2
10.4 Threshold Setting	E10- 4
11. TROUBLESHOOTING	E11- 1

CAUTION:

1. *This manual may not be copied in whole or in part without prior written permission of TOSHIBA TEC.*
2. *The contents of this manual may be changed without notification.*
3. *Please refer to your local Authorized Service representative with regard to any queries you may have in this manual.*

1. INTRODUCTION

Thank you for choosing the TEC B-570 series thermal/transfer printer. This new generation high performance/quality printer is equipped with the latest hardware including the newly developed high density (12 dots/mm, 306 dots/inch) near edge print head. This will allow very clear print at a maximum speed of 203.2 mm/sec. (8 inches/sec.). Other standard features include an automatic ribbon saver, a built-in rewinder/strip mechanism and an internal media supply spool. Combine this with an optional high speed P.C. interface board which allows vastly reduced graphic data transfer times and you have a printer to suit a variety of applications and environments.

This manual contains general set-up and maintenance information and should be read carefully to help gain maximum performance and life from your printer. For most queries please refer to this manual and keep it safe for future reference.

WARNING!

This is a Class A product. In a domestic environment this product may cause radio interference in which case the user may be required to take adequate measures.

CAUTION:

To avoid injury, be careful not to catch or jam your fingers while opening or closing the cover.

CAUTION:

Do not touch moving parts. To reduce the risk that fingers, jewelry, clothing, etc., be drawn into the moving parts, push the switch in the "OFF" position to stop movement.

1.1 Applicable Model

- B-572-QP

Model name description

B - 5 7 2 - Q P

QP: European version

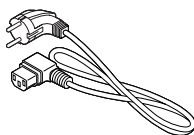
2: Thermal direct/Thermal transfer

1.2 Accessories

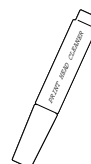
Owner's Manual
(EM1-33031)



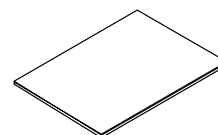
Power Cord



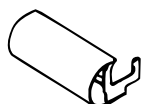
Head Cleaner
(24089500013)



Unpacking Procedure



Rewinder guide plate
(FMBD0034501)



Fan Filter
(FMBB0036801)



Screw
(SM-4x6B)



2. SPECIFICATIONS

2.1 Printer

Item	Model	B-570-QP
Supply voltage		AC 220V ~ 240V +10%, -15%, 50Hz +2Hz, -2Hz
Power consumption		198W maximum (standby: 51W maximum)
Operating temperature range		5°C ~ 40°C
Relative humidity		25% ~ 85%RH (no condensation)
Print head		Thermal print head 12 dots per mm (306 dots per inch)
Printing methods		Thermal direct or Thermal transfer
Print speeds		76.2 mm/sec. (3 inch/sec.), 127 mm/sec. (5 inch/sec.), 203.2 mm/sec. (8 inch/sec.),
Maximum print width		127.5 mm (5.02 inches)
Dispensing modes		Batch (Continuous), Strip (On-demand) and Cut modes (Cut mode is only available when optional cutter is fitted.)
Message display		20 characters x 1 line
Dimensions		291 mm (width) x 460 mm (depth) x 308 mm (height)
Weight		19 kg (without media and ribbon)
Available bar code types		JAN8, JAN13, EAN8, EAN8+2digits, EAN8+5digits EAN13, EAN13+2digits, EAN13+5digits UPC-E, UPC-E+2digits, UPC-E+5digits UPC-A, UPC-A+2digits, UPC-A+5 digits MSI, ITF, NW-7, CODE39, CODE93, CODE128, EAN128 PDF417, DATA MATRIX, Industrial 2 to 5
Fonts		Times Roman (6 sizes), Helvetica (6 sizes), Presentation (1 size), Letter Gothic (1 size), Prestige Elite (2 sizes), Courier (2 sizes), OCR (2 types), Writable characters (40 types), Outline font (1 type)
Rotations		0°, 90°, 180°, 270°
Standard interface		Serial interface (RS-232C) Parallel interface (Centronics) Expansion I/O interface
Optional interfaces		Flash memory card interface High speed PC interface

2.2 Option

Option Name	Type	Usage	Source
Cutter module	B-4205-QM	A stop and cut swing cutter	See NOTE 1.
High speed PC inter- face kit	B-4800-PC-QM	This interface kit allows extremely high speed information transfer between the printer and PC.	See NOTE 1.
Fanfold paper guide module	B-4905-FF-QM	This is a paper guide exclusively used for fanfold paper. Attaching it in place of the standard paper guide allows the printer to print on fanfold paper.	See NOTE 1.
D-RAM PC board	FMBC0067801	A 2MB RAM upgrade which enhances the image handling capability of the printer.	See NOTE 2.
Flash memory card	_____	A flash ROM card (1MB and 4MB) for storing logos, writable characters and for- mats.	See NOTE 3.

- NOTES:**
1. Available from your nearest TOSHIBA TEC representative or TOSHIBA TEC Head Quarters.
 2. Available from TOSHIBA TEC Parts Center.
 3. When purchasing flash memory card locally, select one having the specifications described at page 8-1.

2.3 Media

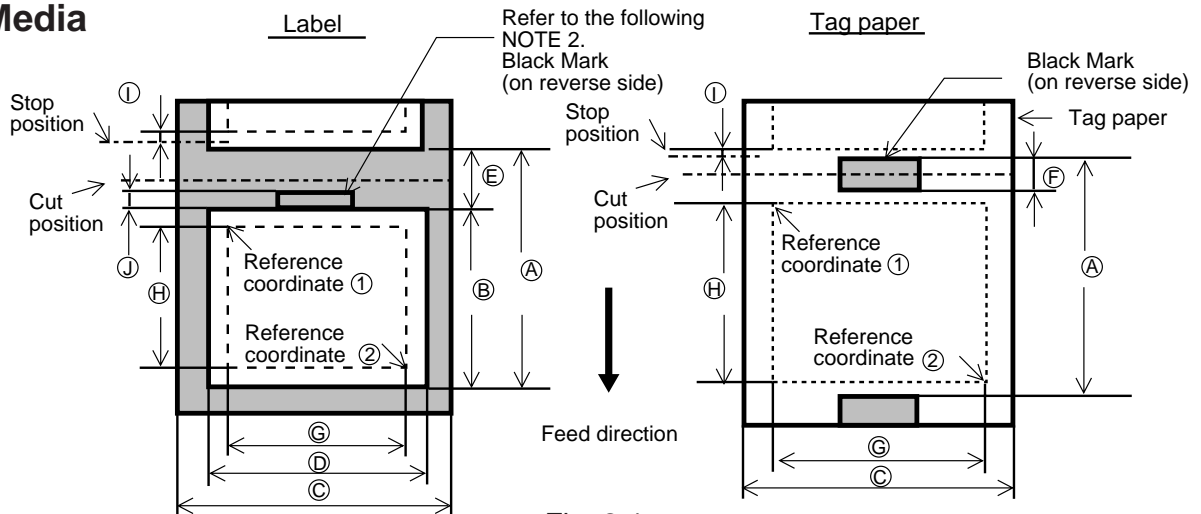


Fig. 2-1

[Unit : mm]

Label dispensing mode		Batch mode	Strip mode	Cut mode
①: Span of one label/tag		10.0 ~ 999.0	25.4 ~ 999.0	Label: 38 ~ 999.0 Tag: 25.4 ~ 999.0
②: Label/tag length		8.0 ~ 997.0	23.4 ~ 997.0	25.0 ~ 993.0
③: Width including backing paper		50.8 ~ 140.0		
④: Label width		47.8 ~ 137.0		
⑤: Gap length		2.0 ~ 20.0	2.0 ~ 20.0	6.0 ~ 20.0
⑥: Black mark length (Tag paper)		2.0 ~ 10.0		
⑦: Effective print width		10.0 ~ 128.0		
⑧: Effective print length	Label	Standard	6.0 ~ 298.6	23.0 ~ 298.6
		Max. memory	6.0 ~ 995.0	23.0 ~ 991.0
	TAG	Standard	8.0 ~ 298.6	23.4 ~ 298.6
		Max. memory	8.0 ~ 997.0	23.4 ~ 997.0
⑨: Print speed up/slow down area		1.0		
⑩: Black mark length (Label)		Refer to the following NOTE 2.		
Maximum effective length for on the fly issue	Standard	149.3		
	Max. memory	661.3		
Outer roll diameter		ø200 Max.		
Thickness	Label	0.13 ~ 0.17		
	Tag	0.15 ~ 0.29		

- NOTES:**
- The media specification other than above are unchanged.
 - When marking black marks on label rolls, the following requirements must be satisfied.
 When the gap length is less than 4 mm:
 The black mark length should be longer than the gap length.
 When the gap length is 4 mm or more:
 The black mark should not overlap the gap for more than 4 mm and the following label.

2.4 Ribbon

Type	Spool type
Width	68 mm ~ 134 mm
Length	600 m
Outer diameter	ø90 mm (max.)

- NOTES:**
- "On the fly issue" means that the printer can draw and print without stopping between labels.
 - To ensure print quality and print head life use only TOSHIBA TEC specified media and ribbons.
 - When using the cutter ensure that label length ② plus inter label gap length ⑤ exceeds 35 mm. (i.e. label pitch should be greater than 35 mm.)
 - When rewinding the media onto the take-up spool in batch mode, the max. outer roll diameter should be 180 mm.
 - Use of rough media for the ribbon saving issue may cause ribbon smudges.

3. OVERVIEW

3.1 Front/Rear View

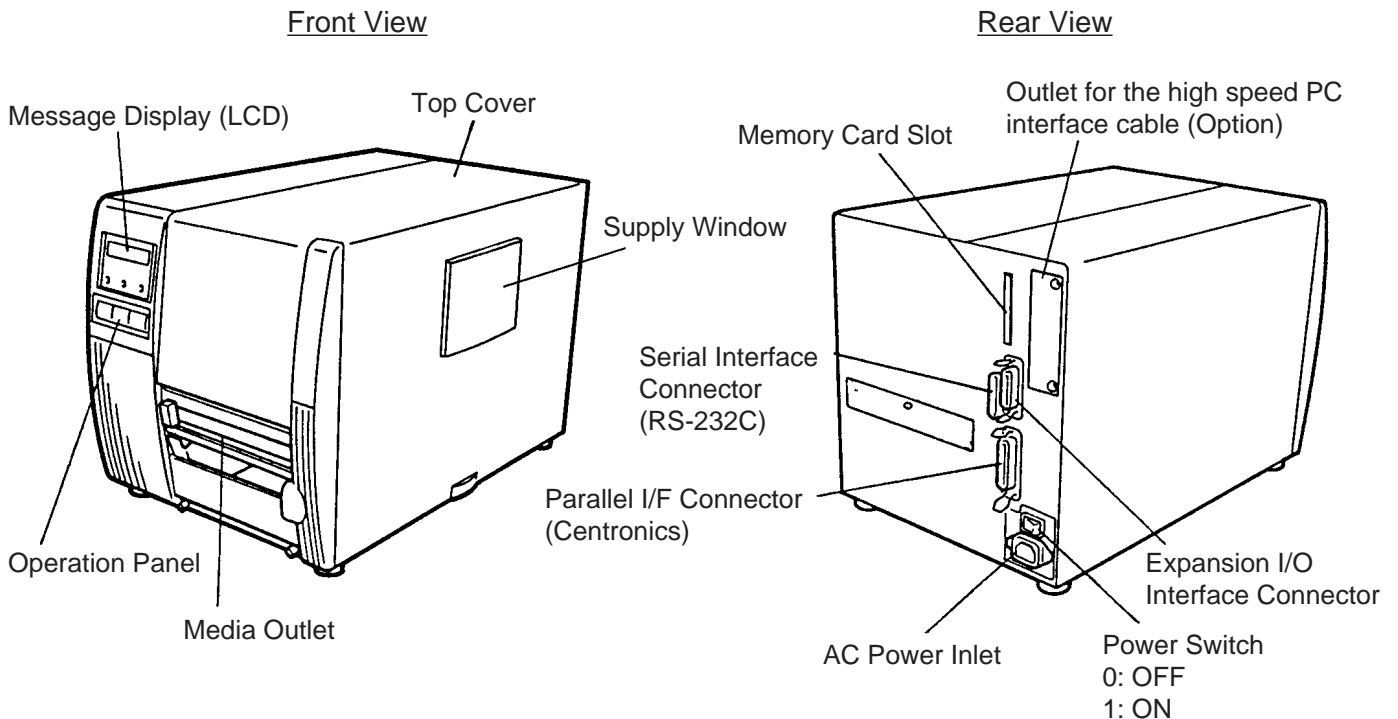


Fig. 3-1

3.2 Operation Panel

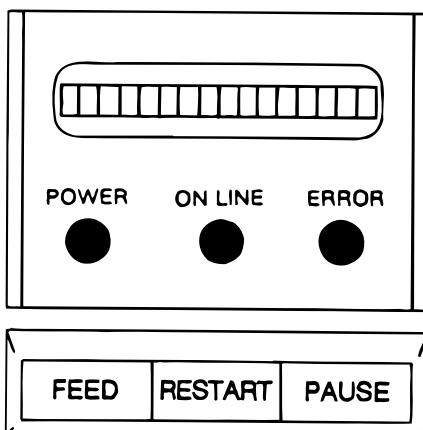


Fig. 3-2

MESSAGE DISPLAY (LCD)

Displays messages in the language selected by DIP switch. When power is turned on and it is ready to print, "ON LINE" is displayed.

POWER LED (Green)

Lights when the power is turned on.

ON-LINE LED (Green)

- 1) Flashes when communicating with a host computer.
- 2) On while printing.

ERROR LED (Red)

Lights when a communication error occurs, when the media/ribbon ends or the printer does not operate correctly.

FEED key

Feeds paper.

RESTART key

Resets the printer when paused or when an error occurs. Used to set the threshold. (Refer to page 10-4)

PAUSE key

Pauses printing.

Message display shows "PAUSE" and an unprinted count. Used to set the threshold. (Refer to page 10-4)

4. DIP SWITCH FUNCTIONS

The DIP switches are located to the right of the supply shaft.

WARNING:
Turn the **POWER OFF** before switching the functions.

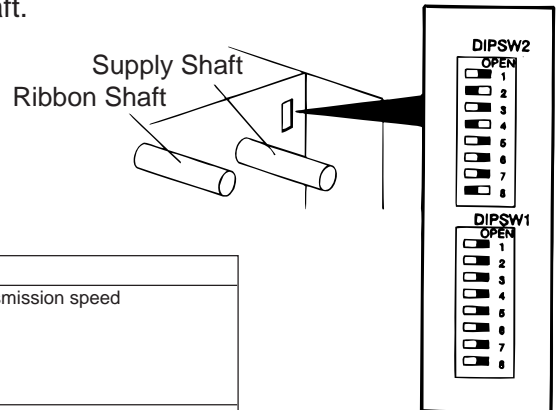


Fig. 4-1

(1) DIP SW 2

No.	ON/OFF		Function	
	1	2		
1	OFF	OFF	2400 BPS	Transmission speed
	ON	ON	4800 BPS	
2	OFF	OFF	9600 BPS	
	ON	ON	19200 BPS	
3	OFF		1 bit	Stop bit length
	ON		2 bit	
4	OFF		7 bit	Data length
	ON		8 bit	
5	OFF		without	Parity check
	ON		with	
6	OFF		EVEN	Parity check (effective when DIP SW #5 is set to ON.)
	ON		ODD	
7	7	8	XON/XOFF (No XON is output at the power on time.) (XOFF is output at the power off time.)	Data protocol
	OFF	OFF		
8	ON	OFF	READY/BUSY (DTR) (No XON is output at the power on time.) (No XOFF is output at the power off time.) READY/BUSY (RTS) (No XON is output at the power on time) (No XOFF is output at the power off time.)	
	OFF	ON	XON/XOFF + READY/BUSY (XON is output at the power on time.) (XOFF is output at the power off time.)	
	ON	ON	XON/XOFF (XON is output at the power on time.) (XOFF is output at the power off time.)	

(2) DIP SW 1

No.	ON/OFF			Function	
	2	3	4		
1	OFF			Without	Auto ribbon save function
	ON			With	
2	OFF	OFF	OFF	English	Language to display LCD error message
	ON	OFF	OFF	German	
	OFF	ON	OFF	French	
3	ON	ON	OFF	Dutch	
	OFF	OFF	ON	Spanish	
4	ON	OFF	ON	Japanese	
	OFF	ON	ON	Italian	
5	OFF			Without	Auto media feed after a cut issue (See page 6-5)
	ON			With	
6	OFF			Without	Use of the built-in rewinder/Head up function in cut mode Refer to Note 2.
	ON			With	
7	OFF			Must be set to OFF.	
	ON				
8	OFF			Must be set to OFF.	
	ON				

- NOTES:**
1. The shaded settings are the factory default settings. "OFF" means "OPEN".
 2. The DIP switch #1-6 functions in accordance with equipment to be used.
 3. If you would like to switch to READY/BUSY (DTR) or to READY/BUSY (RTS) of data protocol, please contact your authorized TOSHIBA TEC representative.

5. INSTALLING THE PRINTER

5.1 Connecting the Power Cord and Cables

WARNING!

Turn the **POWER SWITCH to OFF** before connecting the power cord or cables.

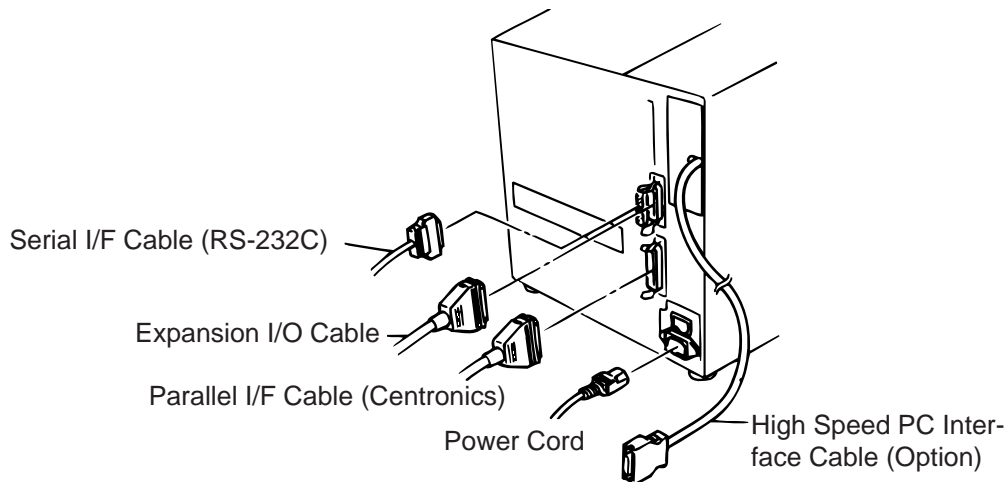


Fig. 5-1

5.2 Procedure for Fitting Fan Filter

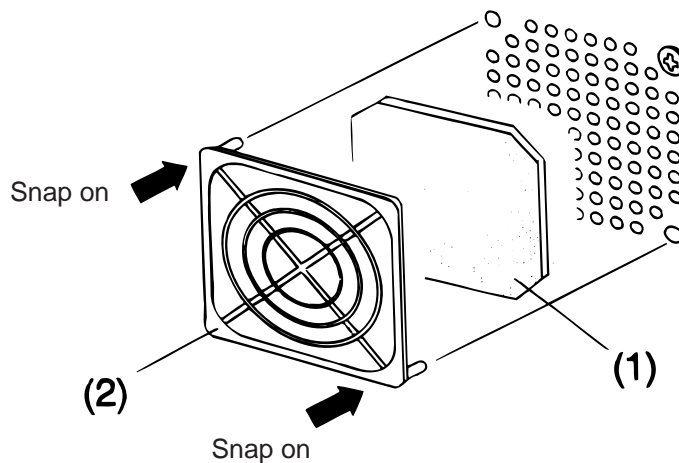


Fig. 5-2

When installing the printer, it is important to ensure that the fan filter is attached before using the printer.

The filter comes in 2 parts:

- (1) FILTER PAD
- (2) FILTER RETAINER

To fit put the filter pad inside the filter retainer and simply press into place according to the diagram above, ensuring connecting pins are aligned with connecting holes.

6. LOADING THE MEDIA

WARNING:

1. Do not touch moving parts. To reduce the risk that fingers, jewelry, clothing, etc., be drawn into the moving parts, push the switch in the "OFF" position to stop movement.
2. To avoid injury, be careful not to catch or jam your fingers while opening or closing the cover.

The printer prints both labels and tags.

1. Turn off the power and open the top cover.
2. Turn the head lever to position ③, then release the ribbon shaft holder plate.

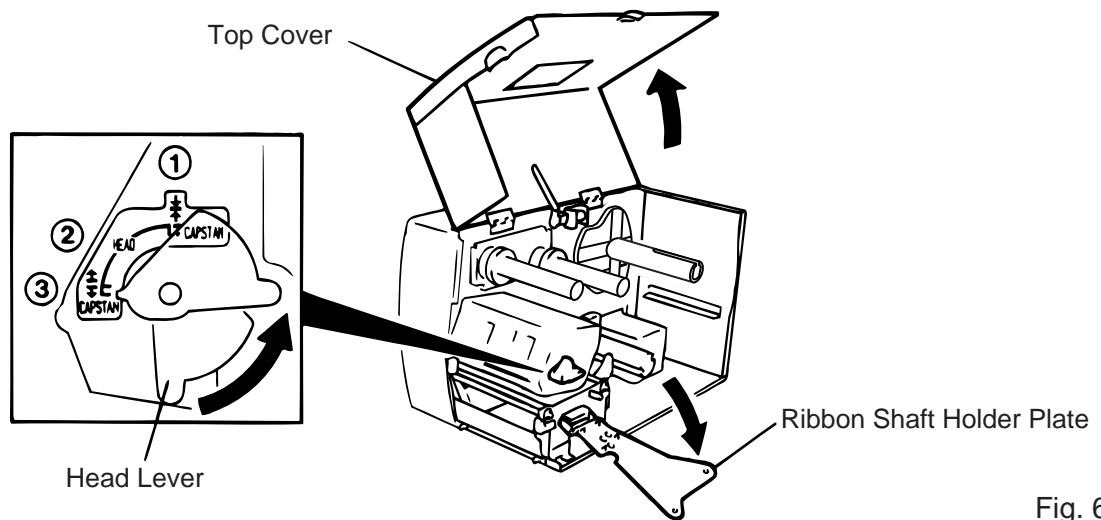


Fig. 6-1

- NOTES:**
1. When the head lever is turned to position ②, the print head is raised.
 2. When the head lever is turned to position ③, the print head and the pinch roller are raised.
 3. To allow printing the head lever must be set to position ①. (This ensures that the print head and the pinch roller are closed.)

3. Turn the locking ring counter clockwise and remove the supply holder from the supply shaft.

NOTE: Do not turn the force the locking ring too far counterclockwise or it may come off the supply holder.

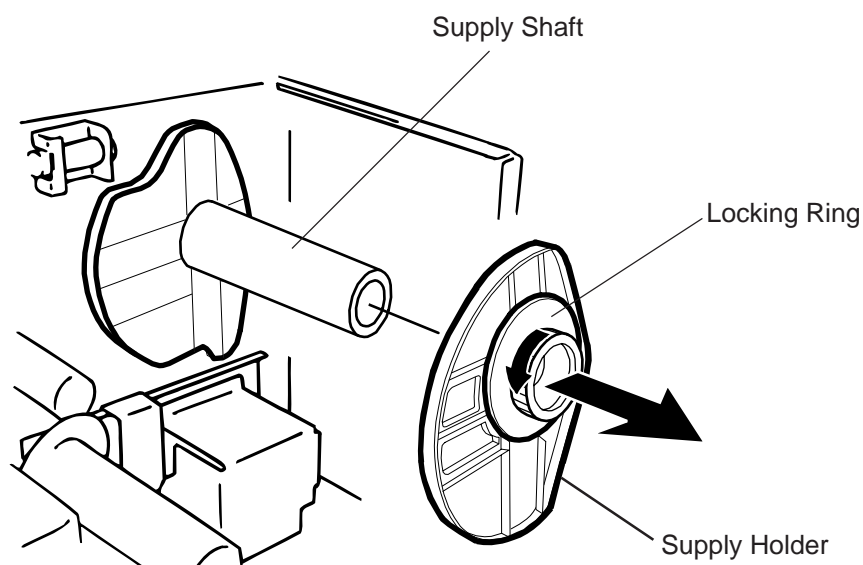


Fig. 6-2

4. Put the media on the supply shaft.
5. Pass the media around the damper, then pull the media towards the front of the printer.
6. Insert the ridge of the supply holder into the groove of the supply shaft until the media is fixed. Then turn the locking ring clockwise to secure the supply holder. This will centre the media automatically.

NOTE: Do not over tighten the locking ring of the supply holder.

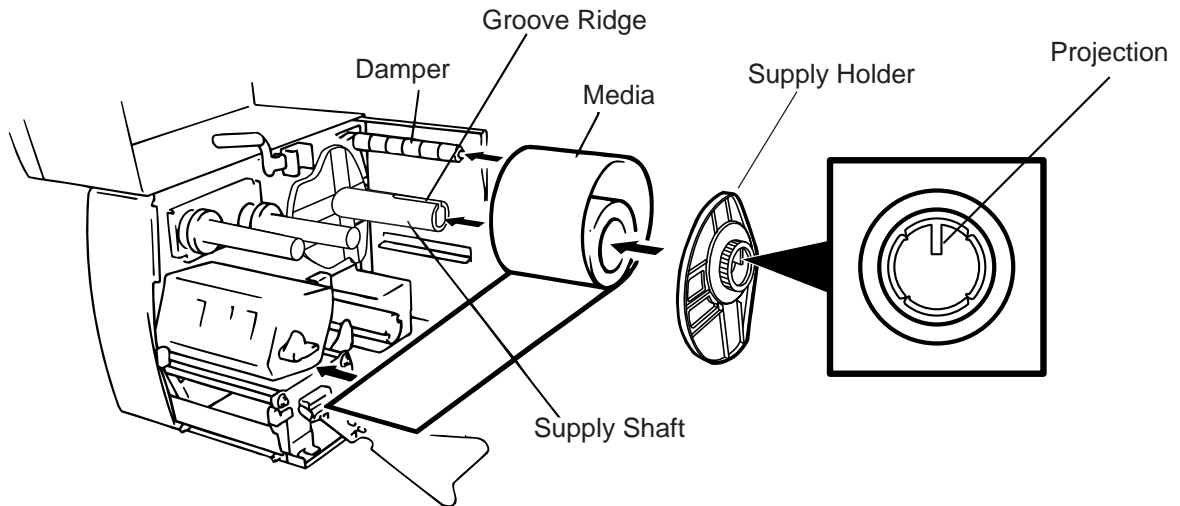


Fig. 6-3

7. Insert the media into the paper holders of the media guide, adjust the media guides to the media width, and tighten the locking screw.
8. Check that the media path through the printer is straight. The media should be centered under the print head.

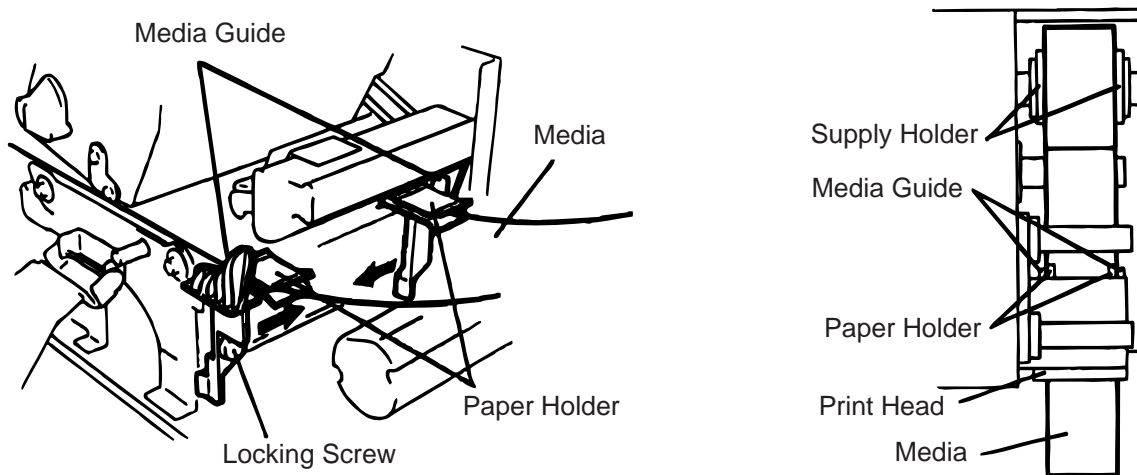


Fig. 6-4

NOTE: When using the label rolled with labels facing outside, please remove the upper plates of both paper holders using the following procedure. Failure to do this may cause a paper jam error. If you have any questions, please contact your nearest TOSHIBA TEC service representative.

■ Removing the paper holders' upper plates from the media guide

- ① Remove the two T-4x8 screws to detach the media guide from the printer.

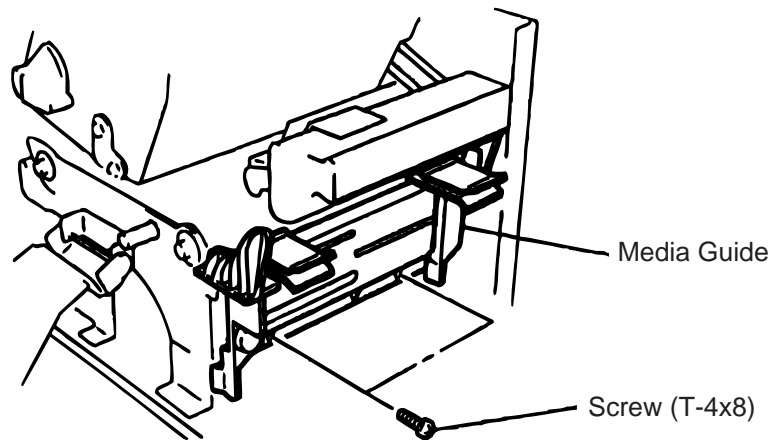


Fig. 6-5

- ② Remove the SM-3x6 screw or the SM-3x8 screw to detach the paper holders' upper plates from the media guide.

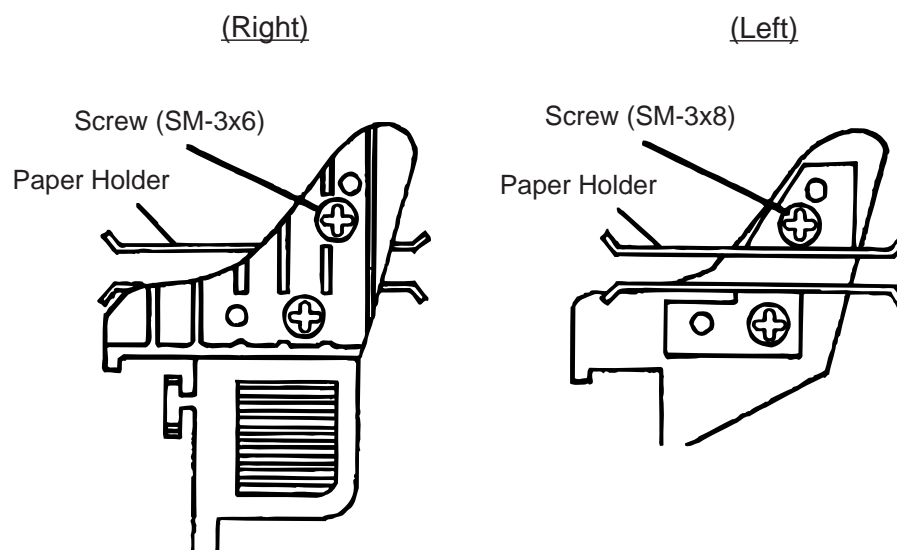


Fig. 6-6

- ③ Attach the media guide back in position.

NOTE: Do not lose the removed upper plates because they are required when using the label rolled with labels facing inside.

9. Set the black mark/feed gap sensor to the correct position by turning the adjusting knob. Turning the knob right will move the sensor towards the center of the media while turning left will move it away from the center of the media.

■ An easy way to set the black mark sensor position

- ① Pull the media about 500 mm out of the front of the printer, turn the media back on it's self and feed it under the print head past the sensor so that the black mark can be seen from above.
- ② Adjust the sensor position to that of the black mark (the upper hole indicates the position of the black mark sensor).

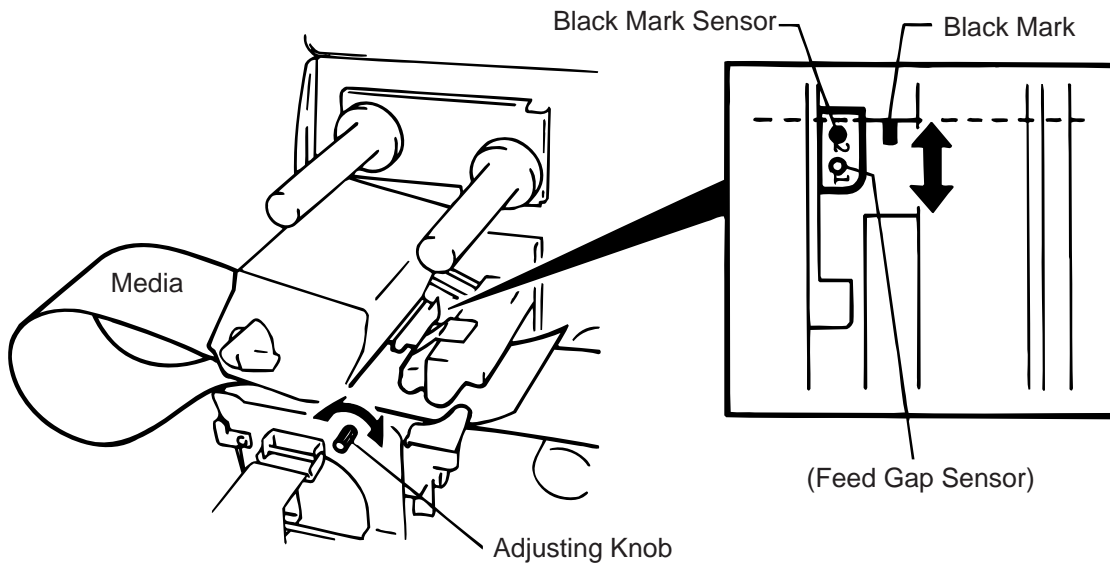


Fig. 6-7

NOTE: Make sure to set the sensor to detect the center of the black mark, otherwise a paper jam error could occur.

■ Setting the feed gap sensor position

- ① Adjust the sensor to detect on the gap (the lower hole indicates the position of the feed gap sensor.)

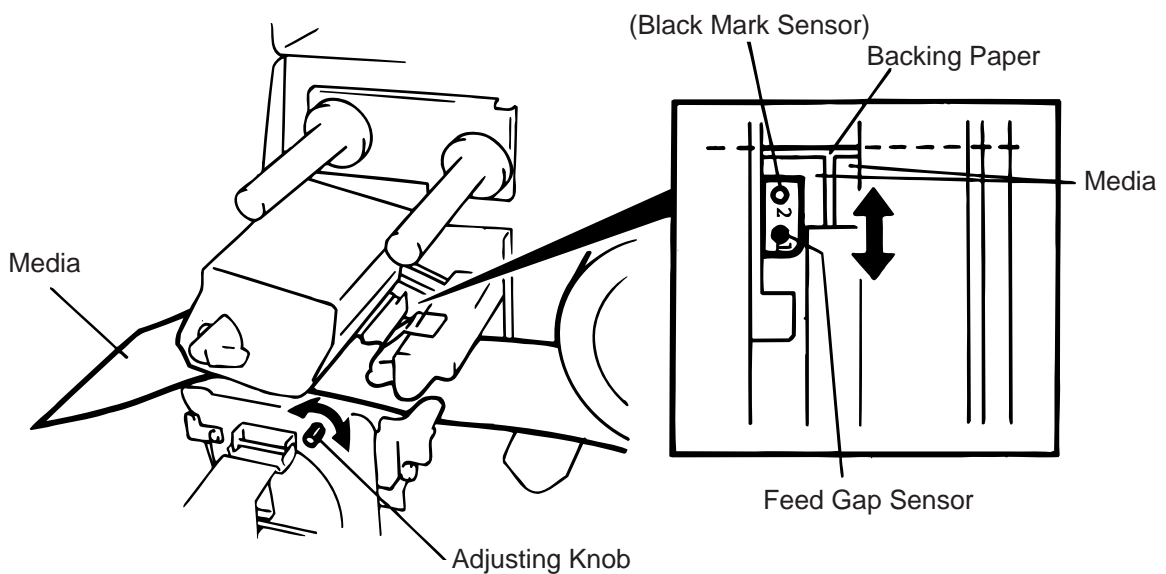


Fig. 6-8

10. The media is now loaded and the sensor position is set.

Batch type:

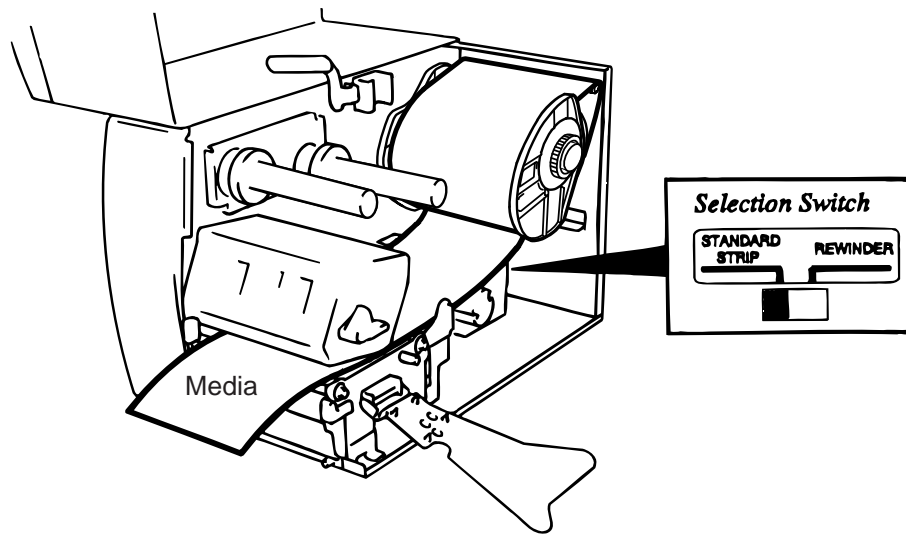


Fig. 6-9

NOTE: Set the selection switch to the STANDARD/STRIP position. Improper setting can affect the print quality.

Strip type:

- ① Remove enough labels from the leading edge media to leave 500 mm of backing paper exposed.
- ② Wind the backing paper onto the take-up spool and fix in position with the take-up clip. (Wind the paper counter clockwise around the spool as this is the direction it rotates.)
- ③ Rotate the take-up spool anti-clockwise a few times to take up any slack in the backing paper.

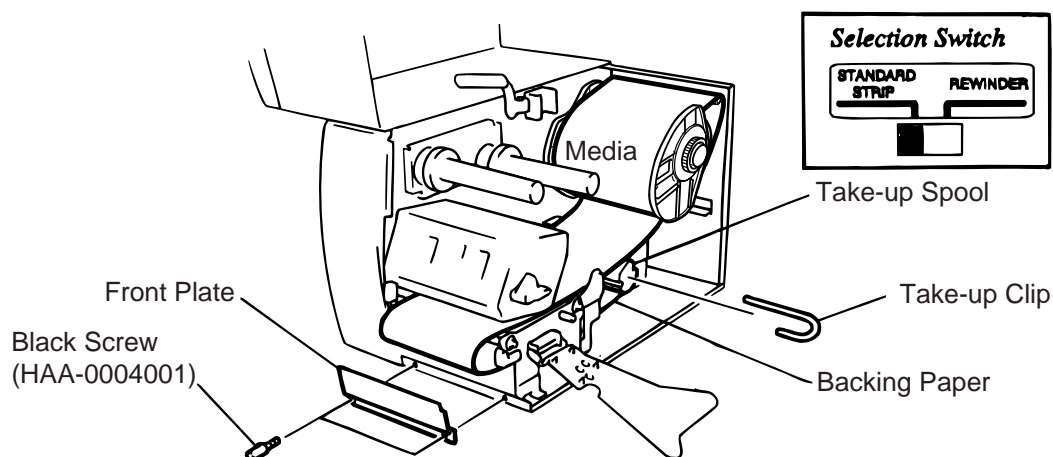


Fig. 6-10

- NOTES:**
1. The backing paper is easier to feed back to the take-up spool if the front plate is removed.
 2. When fitting the take-up clip the longer side of the clip should be fitted into the shallow groove on the take-up spool.
 3. Set the selection switch to the STANDARD/STRIP position.

Cutter type: Where a cutter is fitted load the media as standard and feed it through the cutter module.

- NOTES:**
1. Be sure to cut the backing paper of label. Cutting labels will cause the glue to stick to the cutter, which may affect the cutter quality and shorten the cutter life.
 2. If the top edge of label winds onto the platen in cut issue, set the DIP SW 1-5 to ON.
 3. For the cutter type, the selection switch can be set to either position.

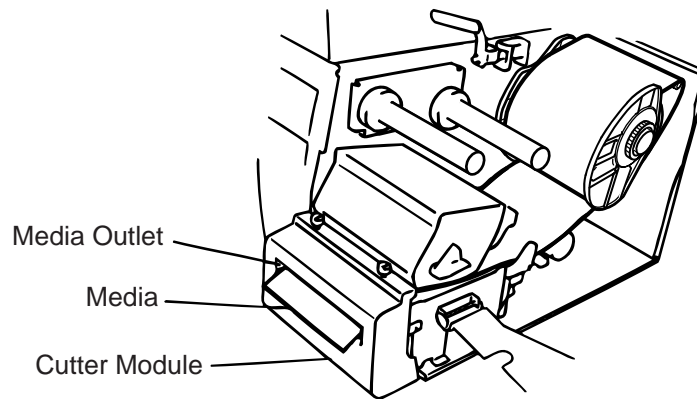


Fig. 6-11

Built-in rewriter type:

- ① Remove two black screws and front plate.
- ② Fit the rewriter guide plate to the tear-off bar, then attach it with the sems screws.

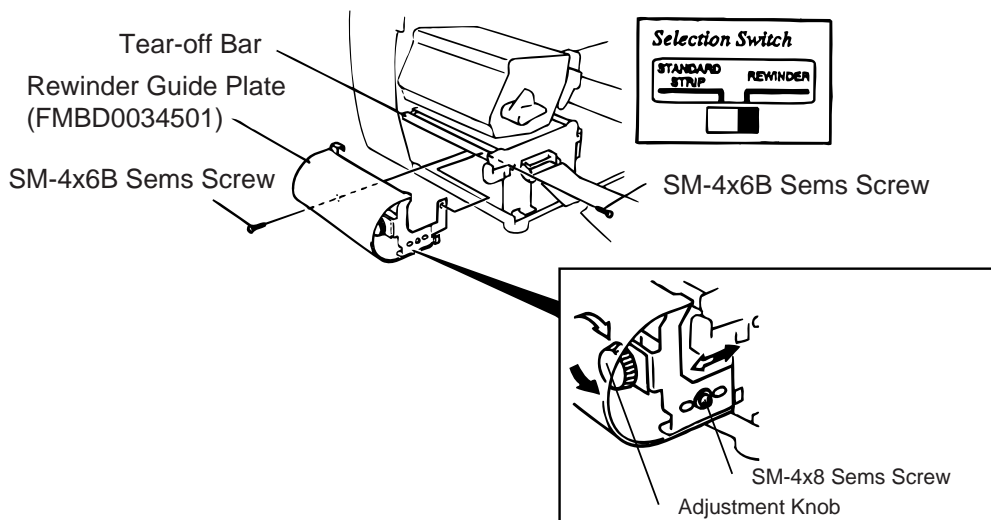


Fig. 6-12

NOTES: Set the selection switch to the REWINDER position.

- ③ Follow the procedure for strip type.
- ④ Adjustment

If the label skews when using built-in rewriter unit, turn the adjustment knob of the rewriter guide plate to correct the label feed. Clockwise turn moves the rewriter guide plate forward and counterclockwise moves it backward.

* When labels skew to the right:

Loosen the SM-4x8 sems screw with a philips-head screw driver. Turn the adjustment knob clockwise, and tighten the SM-4x8 screw when the rewriter guide plate is positioned correctly.

* When labels skew to the left:

Loosen the SM-4x8 screw with a phillips-head screw driver. Turn the adjustment knob counterclockwise, and tighten the SM-4x8 screw when the rewriter guide plate is positioned correctly.

7. LOADING THE RIBBON

WARNING!

1. Do not touch moving parts. To reduce the risk that fingers, jewelry, clothing, etc., be drawn into the moving parts, push the switch in the "OFF" position to stop movement.
2. To avoid injury, be careful not to catch or jam your fingers while opening or closing the cover.

There are two types of media available for printing on, these are standard media and direct thermal media (a chemically treated surface). **DO NOT LOAD** a ribbon when using a direct thermal media.

1. When using a narrow width ribbon, slide the ribbon stoppers along the shafts to a position where the ribbon will be centered when it is fitted. When changing from a narrow width to a wider one rotate the ribbon stoppers by 90°, push them back to the correct position and then rotate back to lock.

NOTE: When attaching the ribbon stoppers, fit them to the shafts with the pinchers facing into the printer.

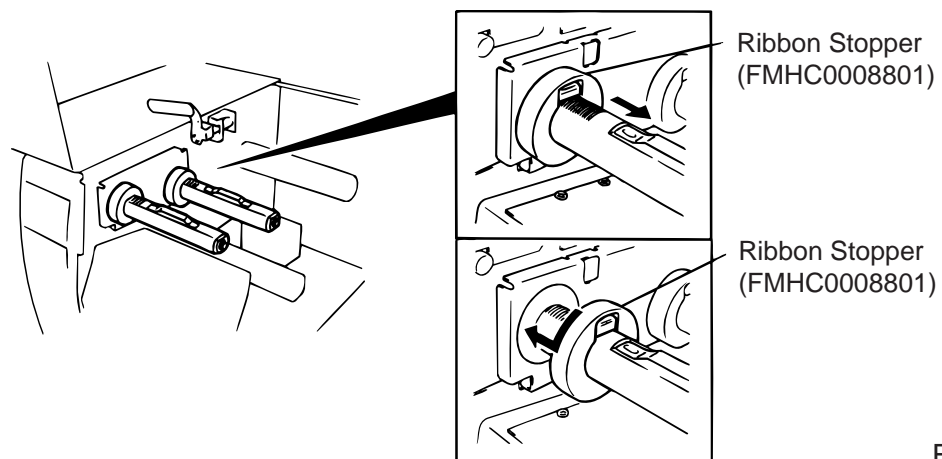


Fig. 7-1

2. Leaving plenty of slack between the spools, fit the ribbon as shown below. When the ribbon is fitted it must be positioned over the ribbon sensor.
3. Wind both shafts towards each other to tighten the ribbon.

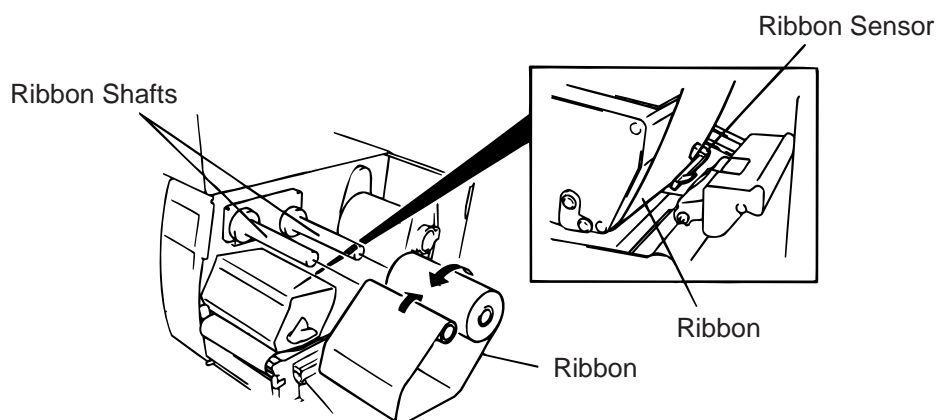


Fig. 7-2

4. Reset the ribbon shaft holder plate by aligning it with the ribbon shaft.
5. Turn the head lever clockwise to lower the print head.
6. Close the top cover.

8. INSERTING THE OPTIONAL FLASH MEMORY CARD

WARNING!

Turn the power OFF when inserting or removing the flash memory card.

CAUTION:

To protect memory cards, discharge static electricity from your body by touching the printer rear cover prior touching the memory cards.

1. Turn the power off.
2. Insert the flash memory card into the memory card slot at the rear of the printer.
3. Turn the power on.

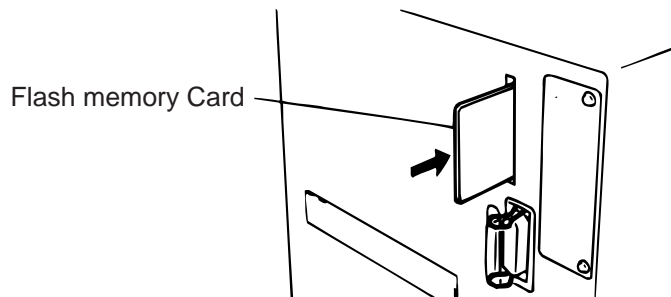


Fig. 8-1

- NOTES:**
1. Be sure to protect a flash memory card when not in use in the printer by putting it in its protective cover.
 2. Do not subject the card to any shocks or excessive forces.
 3. Do not expose the card to extremes of heat by either storing in direct sunlight or close to a heater.
 4. Do not expose the card to excessive humidity by wiping it with a wet cloth or storing it in a damp place.
 5. Before inserting or removing the card, make sure that the power switch is turned off.
 6. The following flash cards can be used. (The 1MB-card is read only and the 4MB card can read/write.)

Capacity	Maker	Type	Device code	Maker code
1M Byte	Maxell	EF-1M-TB AA	D0H	1CH
	Mitsubishi	MF81M1-GBDAT01		
4M Byte	Maxell	EF-4M-TB CC	88H	B0H
	Maxell	EF-4M-TB DC	ADH	04H
	Centennial Technologies INC.	FL04M-15-11119-03		01H
	INTEL	IMC004FLSA	A2H	89H
	Simple TECHNOLOGY	STI-FL/4A		
	Mitsubishi	MF84M1-G7DAT01		
	PC Card KING MAX	FJN-004M6C		
	PC Card	FJP-004M6R	A0H	89H

9. CARE/HANDLING OF THE MEDIA AND RIBBON

CAUTION:

Be sure to read carefully and understand the Supply Manual. Use only media and ribbon which meet specified requirements. Use of non-specified media and ribbon may shorten the head life and result in problems with bar code readability or print quality. All media and ribbon should be handled with care to avoid any damage to the media, ribbon or printer. Read the following guideline carefully.

- Do not store the media and ribbon for longer than the manufactures recommended shelf life.
- Store media rolls on the flat end, do not store them on the curved sides as this might flatten that side causing erratic media advance and poor print quality.
- Store the media in plastic bags and always reseal after opening. Unprotected media can get dirty and the extra abrasion from the dust and dirt particles will shorten the print head life.
- Store the media and ribbon in a cool, dry place. Avoid areas where they would be exposed to direct sunlight, high temperature, high humidity, dust or gas.
- The thermal paper used for direct thermal printing must not have the specifications which exceed Na⁺ 800 ppm, K⁺ 250 ppm and CL⁻ 500 ppm.
- Some ink used on pre-printed labels may contain ingredients which shorten the print head's product life. Do not use labels pre-printed with ink which contain hard substances such as carbonic calcium (CaCO₃) and kaolin (Al₂O₃, 2SiO₂, 2H₂O).

For further information please contact your local distributor or your media and ribbon manufacturer.

10. GENERAL MAINTENANCE

WARNING!

1. Be careful when handling the print head as it becomes very hot.
2. Care must be taken not to injure yourself with the printer paper cutter.
3. Do not touch moving parts. To reduce the risk that fingers, jewelry, clothing, etc., be drawn into the moving parts, push the switch in the "OFF" position to stop movement.
4. To avoid injury, be careful not to catch or jam your fingers while opening or closing the cover.

10.1 Cleaning

To help retain the high quality and performance of your printer it should be regularly cleaned. The greater the usage of the printer, the more frequent the cleaning. (i.e. low usage=weekly : high usage=daily).

1. Turn the power off.
2. Open the top cover.
3. Turn the head lever to raise the print head.
4. Remove the ribbon and media.
5. Clean the element of print head with print head cleaner.
6. Wipe the platen, feed roller and pinch roller with a cleaner moistened with alcohol.
Remove dust or foreign substances from the internal part of the printer, if any.

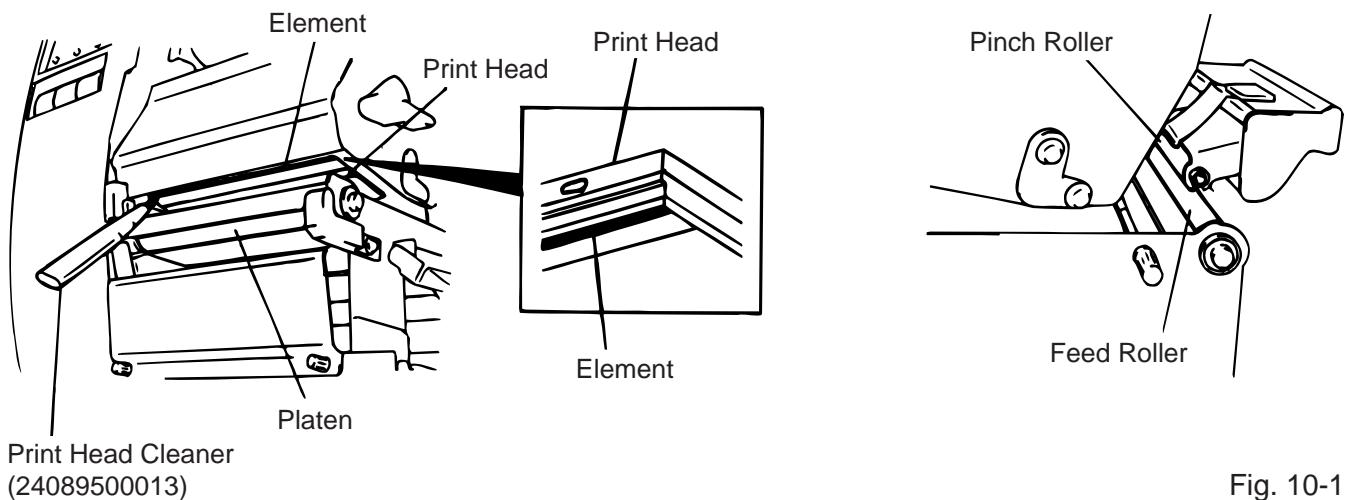


Fig. 10-1

WARNING!

1. Be sure to disconnect the power cord prior of performing any maintenance.
2. Do not use any tool that may damage the print head.
3. **DO NOT POUR WATER** directly onto the printer.

10.2 Covers and Panels

The covers should be cleaned by wiping with a dry cloth or a cloth slightly dampened with a mild detergent solution.

NOTE: Clean the printer cover with an electrostatic free cleaner for automated office equipment.

WARNING!

1. DO NOT POUR WATER directly onto the printer.
2. DO NOT APPLY cleaner or detergent directly onto any cover or panel.
3. NEVER USE THINNER OR OTHER VOLATILE SOLVENT on the plastic covers.
4. DO NOT clean the panel covers or the supply window with alcohol as it may cause them to discolor, loose their shape or develop structural weakness.

10.3 Removing Jammed Paper

1. Turn the power off.
2. Open the top cover.
3. Turn the head lever to position ③, then release the ribbon shaft holder plate.
4. Remove the black screw to detach the media guide plate. (See Fig. 10-2.)
5. Remove the ribbon and media.
6. Remove the jammed paper. DO NOT USE any sharp implement or tool as these could damage the printer.
7. Clean the print head and platen, then remove any further dust or foreign substances.
8. Place the portion ⑥ of the media guide plate on the media sensor. Secure the media guide plate with the black screw.

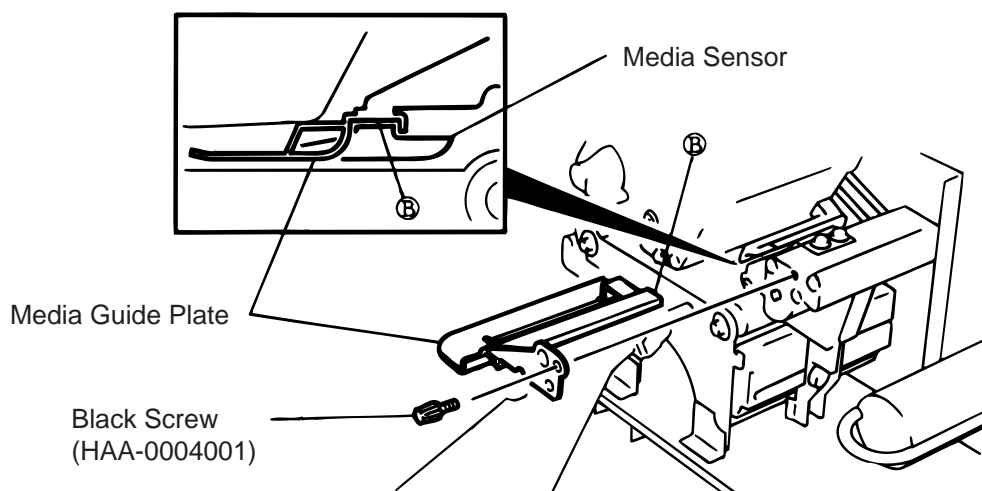


Fig. 10-2

9. Paper jams in the cutter unit can be caused by wear or residual glue from label stock on the cutter. Do not use none specified media in the cutter. If you get frequent jams in the cutter contact your Authorized Service representative.

■ Cleaning the Cutter Unit

WARNING!

1. Be sure to turn the power off before cleaning the cutter unit.
2. The cutters are sharp and care should be taken not to injure yourself when cleaning.

1. Loosen two screws and remove the cutter cover.
2. Remove the white screw and media guide.
3. Remove the jammed paper and trash.
4. Clean the cutter with dry cloth.

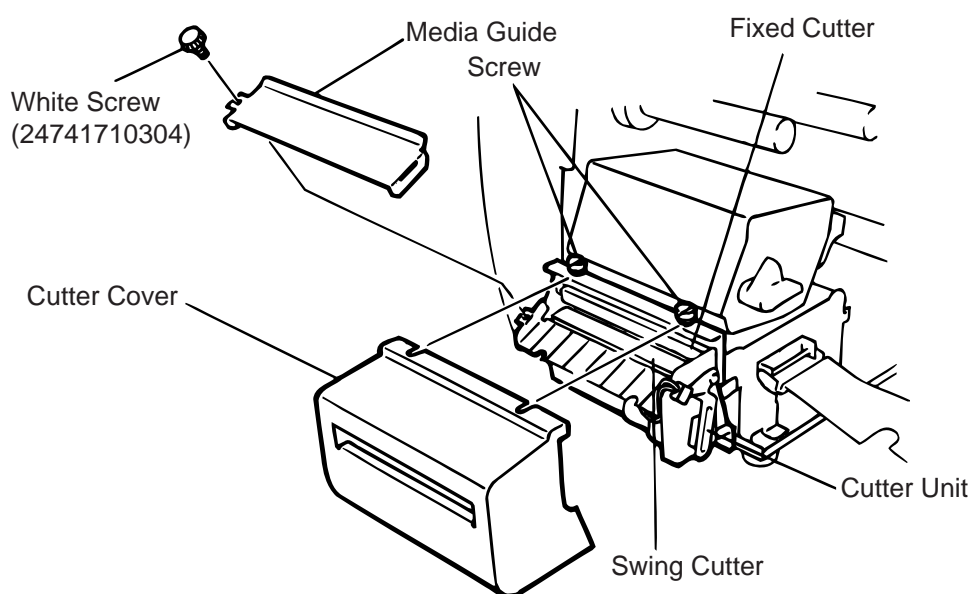


Fig. 10-3

5. Assembling is reverse order of removal.

■ Auto Ribbon Saving Mode

Auto ribbon saving function is activated when it is selected by DIP switch (Refer to page 4-1) and no print area extends more than 20 mm.

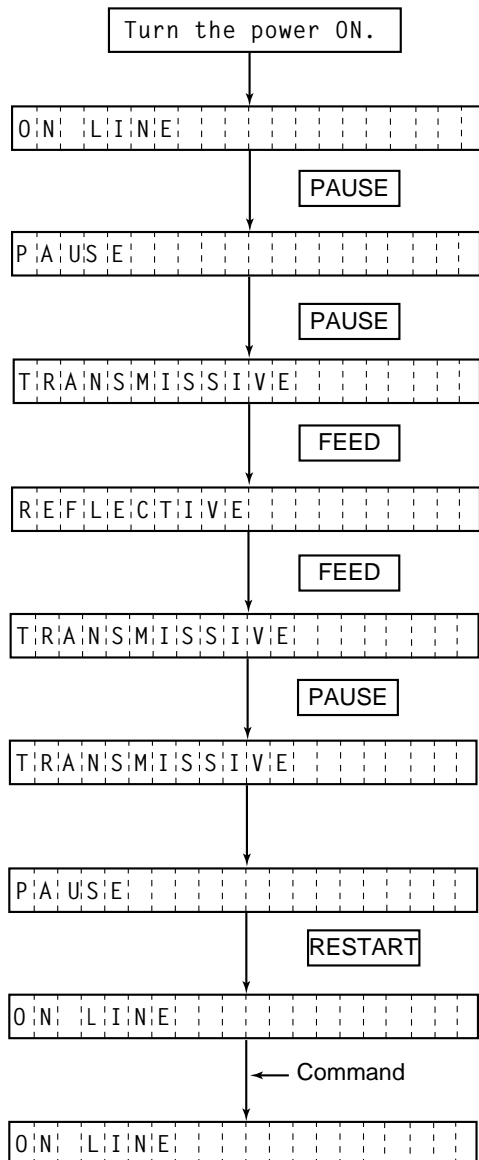
NOTE: According to the relation between the outer diameter of rewound ribbon and print speed, ribbon loss per saving varies as follows:

Print speed	Ribbon loss
3"/sec.	Approx. 5 mm
5"/sec.	Approx. 8 mm
8"/sec.	Approx. 17 mm

10.4 Threshold Setting

For the printer to maintain a constant print position it uses the transmissive sensor to detect the gap between labels by measuring the amount of light passing through the media. When the media is pre-printed, the darker (or more dense) inks can interfere with this process causing paper jammed errors. To get around this problem a minimum threshold can be set for the sensor in the following way.

Threshold setting procedure



- (1) The printer is in stand-by.
- (2) Load a media roll in the usual way.
- (3) Press the **[PAUSE]** key.
- (4) The printer enters the pause mode.
- (5) Press and hold the **[PAUSE]** key for at least 3 seconds in the pause state.
- (6) The sensor type is displayed.
- (7) Press the **[FEED]** key.
- (8) The reflective sensor (black mark sensor) is selected.
- (9) Press the **[FEED]** key again.
- (10) The transmissive sensor (feed gap sensor) is selected.
- (11) Press and hold the **[PAUSE]** key.
- (12) The media is advanced until the **[PAUSE]** key is released.
- (13) Release the **[PAUSE]** key when more than 1.5 labels (tags) are advanced.
(Threshold setting is completed by this operation.)
- (14) Press the **[RESTART]** key.
- (15) The printer is in stand-by.
- (16) Send an issue command from the PC to the printer.

NOTES:

1. If the **[PAUSE]** key is released within 3 seconds whilst in pause state, paper will not feed.
2. Failure to feed more than 1.5 to 2 labels may result in an incorrect threshold setting.
3. While the print head is raised, the **[PAUSE]** key does not work.
4. Error such as paper end and cutter error are not detected during paper feed.
5. Selecting the transmissive sensor (for pre-printed labels) within software commands allows the printer to detect the proper print start position correctly even when using pre-printed labels.
6. If the printer continues to print out of position after setting the threshold, adjust the feed gap sensor in the system mode. Reset the threshold again. Make sure that the transmissive sensor (for pre-printed labels) is selected in the feed and issue commands.

11. TROUBLESHOOTING

WARNING!

If you cannot solve a problem with the following solutions, do not attempt to repair it yourself. Turn the power off, unplug the printer, then contact your Authorized Service representative for assistance.

Error Message	Problem	Solution
PAPER JAM ****	<ol style="list-style-type: none"> 1. The media is not fitted correctly. 2. The media path is jammed and does not feed smoothly. 3. The installed media type does not match the selected sensor. 4. The black mark position on the media does not match the sensor position. 5. The installed media size is different from the programmed size. 6. The feed gap sensor cannot see the difference between the print area and the gap. 	<ol style="list-style-type: none"> 1. Re-fit the media correctly. → Press the [RESTART] key. 2. Remove the cause of the jam and replace the media correctly. → Press the [RESTART] key. 3. Turn the power off then on again. Select the correct sensor. → Feed the media. 4. Adjust the sensor position. → Press the [RESTART] key. 5. Turn the power off then on again. Set the correct media size. → Feed the media. 6. Set the threshold (see page 10-4). Else Turn the power off and call your Authorized Service representative.
HEAD OPEN ****	Feed or printing has been attempted while the print head is raised.	Lower the print head. → Press the [RESTART] key.
NO PAPER ****	The media has run out.	Load new media. → Press the [RESTART] key.
NO RIBBON ****	The ribbon has run out.	Load a new ribbon. → Press the [RESTART] key.
REWIND FULL ****	Too much backing paper or media is wound on the internal take-up spool.	Remove the backing paper or media from the internal take-up spool. Then press the [RESTART] key.

Error Message	Problem	Solution
EXCESS HEAD TEMP	The print head is too hot.	Turn the power off and decrease the print head temperature.
HEAD ERROR	This message is displayed when sending the head broken check command ([ESC] HD001 [LF] [NUL]) and the print head has a broken element.	<ol style="list-style-type: none"> 1. Restart the printing by pressing the [RESTART] key. 2. Replace the print head.
RIBBON ERROR ****	There is a fault with the ribbon sensor.	Turn the power off. Contact your Authorized Service representative.
CUTTER ERROR ****	Media is jammed in the cutter.	<p>Remove the jammed media and feed the undamaged media through the cutter.</p> <p>→ Press the [RESTART] key.</p> <p>Else</p> <p>Turn the power off and contact your Authorized Service representative.</p>
FLASH WRITE ERROR	An error has occurred when loading data onto a flash memory card.	<ol style="list-style-type: none"> 1. Turn the power off, re-seat the flash memory card and try again. 2. Replace the flash memory card and retry. 3. Turn the power off and contact your Authorized Service representative.
FORMAT ERROR	An error has occurred while formatting a flash memory card.	<ol style="list-style-type: none"> 1. Turn the power off, re-seat the flash memory card and try again. 2. Replace the flash memory card and retry. 3. Turn the power off and contact your Authorized Service representative.
FLASH MEMORY FULL	No more data can be saved in the flash memory card.	<p>Replace the card with a new one and re-send data.</p> <p>(Only 1MB and 4MB cards can be used.)</p>
COMMUNICATION ERROR	A communication error has occurred with the host.	<p>Turn the power off then on again or press the [RESTART] key.</p> <p>Check the program data.</p> <p>→ Call your Authorized Service representative if necessary.</p>

Error Message	Problem	Solution
example) PC001; 0A00, Command error 0300, 2, 2	When an error is detected in a command 20 bytes of the command are displayed. (ESC, LF, NUL are not displayed.)	Correct the command and re-send it again.
Other Error Message	Hardware or software trouble.	Turn the power off then on again. If the problem still exists turn the power off and contact your Authorized Service representative.
<p>NOTE: If an error is not cleared by pressing the [RESTART] key, the power must be switched off then on again.</p> <p>After the power has been switched off and on, all print data in the printer is cleared.</p> <p>**** denotes a remaining count of unprinted labels.</p>		

Problem	Solution
No print.	<ol style="list-style-type: none"> 1. Check that media and the ribbon is loaded correctly. 2. Check whether the print head is set correctly or not. 3. Check the cabling between the printer and the host.
Dots missing in the print.	Dirty print head. → Clean the print head. Call your Authorized Service representative if necessary.
Unclear (or blurred) printing.	<ol style="list-style-type: none"> 1. Dirty print head. → Clean the print head. 2. Bad or faulty ribbon. → Replace ribbon. 3. Poor media quality. → Change media type.
Power does not come on.	<ol style="list-style-type: none"> 1. Plug power cord into an AC socket. 2. Check the circuit breakers or fuses. 3. Plug another appliance into the AC socket to check if there is power supplied. Call your Authorized Service representative if necessary.
Printer does not cut.	Check for a paper jam in the cutter. Call your Authorized Service representative if necessary.
You see a raised nap where the media has been cut.	<ol style="list-style-type: none"> 1. Clean the cutter blades. 2. The blades are worn. → Call your Authorized Service representative.

TEC

l'imprimante Transfert Thermique TEC

B-570-QP SERIES

Mode d'emploi

Résumé des précautions

La sécurité personnelle lors de la manipulation ou de l'entretien du matériel est extrêmement importante. Les avertissements et précautions nécessaires à la manipulation en toute sécurité du matériel sont inclus dans ce manuel. Les avertissements et précautions contenus dans ce manuel doivent être lus et assimilés avant toute manipulation ou entretien.

Ne tentez pas d'effectuer des réparations ou des modifications sur ce matériel. Si une erreur se produit qui ne peut être résolue en suivant les instructions de ce manuel, coupez le courant, déconnectez le câble secteur et contactez votre revendeur agréé TOSHIBA TEC pour une assistance technique.

Explication des symboles



Ce symbole signale une mise en garde (ou des précautions).
Le dessin à l'intérieur du \triangle symbole précise quelle est l'action à exécuter.
(Le symbole ci-contre indique une précaution d'ordre général.)



Ce symbole signale une action interdite (interdictions).
Le dessin à l'intérieur ou près du \odot symbole précise quelle est l'action interdite.
(Le symbole ci-contre indique "Ne pas démonter".)



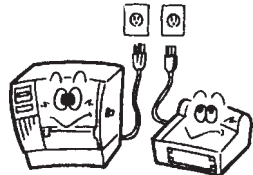
Ce symbole indique une action à effectuer.
Le dessin à l'intérieur du \bullet symbole précise quelle est l'action à exécuter.
(Le symbole ci-contre indique "Retirer la fiche secteur de la prise".)



ATTENTION Indique un danger de **mort** ou de **blessures graves** si l'équipement est utilisé en négligeant ces instructions.



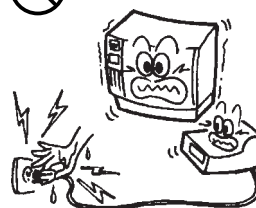
Interdiction d'utiliser une tension autre que celle spécifiée



■ Ne faites pas fonctionner la machine avec une tension électrique différente de celle indiquée sur la plaquette des caractéristiques. Ceci pourrait provoquer un **incendie** ou une **électrocution**.



Interdit



■ Ne branchez pas et ne débranchez pas la fiche secteur avec les mains mouillées. Vous risqueriez une **électrocution**.



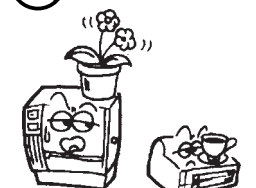
Interdit



■ Si la machine partage une même prise avec d'autres appareils consommant beaucoup d'électricité, il y aura des fluctuations de tension importantes lorsque ces appareils fonctionnent. Pour éviter une **anomalie** causée par de telles fluctuations, ne branchez pas d'autres appareils à la même prise que la machine.



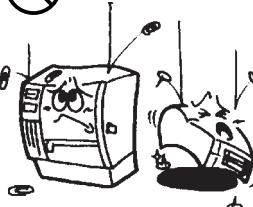
Interdit



■ Ne placez pas d'objets métalliques ou de récipients contenant un liquide (vases, pots de fleurs, tasses, etc.) sur la machine. Un objet métallique ou un liquide peut provoquer un **incendie** ou une **électrocution** s'il pénètre accidentellement dans la machine.



Interdit



■ N'introduisez pas et ne faites pas tomber de pièces métalliques, de matières inflammables ou d'autres objets dans les ouvertures d'aération de la machine. Ils pourraient provoquer un **incendie** ou une **électrocution**.



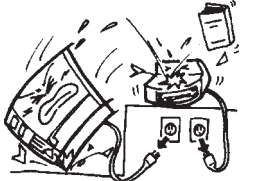
Interdit



■ N'essayez pas de réparer ou de modifier vous-même la machine. Ceci pourrait provoquer un **incendie** ou une **électrocution**. Pour toute question sur les réparations, adressez-vous à votre revendeur (ou au service après-vente).



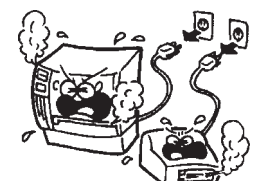
Débranchez la fiche.






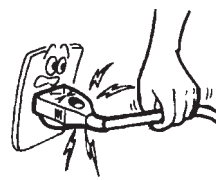

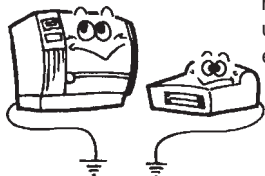

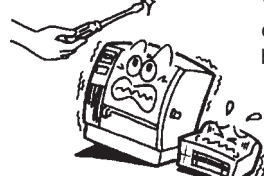
■ Si les machines tombent, ou que leur capot est endommagé, commencez par positionner le bouton marche/arrêt sur arrêt et par déconnecter le câble secteur de la prise murale. Ensuite, contactez votre revendeur agréé TOSHIBA TEC pour une assistance technique. Une utilisation prolongée de l'imprimante dans ces conditions peut être source d'incendie ou de choc électrique.



Débranchez la fiche.



■ Une utilisation prolongée de l'imprimante dans une condition anormale, comme par exemple lorsque l'imprimante produit de la fumée ou des odeurs étranges peut être source d'incendie ou de choc électrique. Dans ce cas, éteignez immédiatement l'interrupteur marche/arrêt et déconnectez le câble secteur de la prise murale. Ensuite, contactez votre revendeur agréé TOSHIBA TEC pour une assistance technique.

 <p>Débranchez la fiche.</p>  <p>■ Si des corps étrangers (fragments de métal, eau, liquides) pénètrent à l'intérieur de la machine, commencez par positionner le bouton marche/arrêt sur arrêt et par déconnecter le câble secteur de la prise murale. Ensuite, contactez votre revendeur agréé TOSHIBA TEC pour une assistance technique. Une utilisation prolongée de l'imprimante dans ces conditions peut être source d'incendie ou de choc électrique.</p>	 <p>Débranchez la fiche.</p>  <p>■ Pour débrancher le câble d'alimentation, tirez-le par la prise. Ne tirez pas directement sur le câble. Ceci pourrait sectionner et exposer les fils internes du câble et causer un incendie ou une électrocution.</p>
 <p>Connectez un fil de terre.</p>  <p>■ Assurez vous que votre installation est correctement relié à la terre. Une mauvaise installation peut provoquer un début d'incendie ou un choc électrique.</p>	 <p>Démontage interdit</p>  <p>■ Ne pas retirer les capots, réparer ou modifier l'imprimante par vous même. Vous pouvez recevoir un choc électrique ou vous blessé par des bords tranchants dans l'imprimante.</p>



PRECAUTION

Indique un risque de **blessures** ou de **dommages** si l'équipement est utilisé en négligeant ces instructions.

Précautions

les précautions suivantes vous permettront d'avoir un fonctionnement correct de l'imprimante.

- Evitez les endroits qui présentent les conditions défavorables suivantes :
 - * Température hors des spécifications
 - * Exposition directe au soleil.
 - * Humidité élevée
 - * Alimentation secteur partagée avec d'autres dispositifs.
 - * Vibrations excessives
 - * Poussière/Gaz
- Nettoyez le couvercle en l'essuyant au moyen d'un chiffon sec ou d'un chiffon imbibé de détergent. **NE JAMAIS UTILISER DE DILUANT NI D'AUTRES SOLVANTS VOLATILES** sur les capots en plastique.
- Utilisez des étiquettes et des rubans recommandés par TOSHIBA TEC.
- N'entrez pas les films et media à un endroit où ils seraient exposés à la lumière directe du soleil, à des températures élevées, à une humidité importante, à de la poussière ou à des gaz.
- Assurez-vous d'utiliser l'imprimante sur une surface plane.
- Toute information mémorisée dans la mémoire de l'imprimante peut être perdue lors d'une erreur d'impression.
- Evitez d'utiliser cet équipement sur la même ligne secteur que des appareils de forte puissance ou susceptibles d'émettre des interférences.
- Eteindre l'imprimante lors des interventions à l'intérieur ou lors des nettoyages.
- s'assurer de garder l'environnement de travail à l'abri de l'électricité statique.
- Ne placez pas d'objets lourds sur la machine. Ils pourraient tomber et **blessé** quelqu'un.
- Ne bouchez pas les ouvertures d'aération de la machine. La chaleur s'accumulerait à l'intérieur et pourrait provoquer un **incendie**.
- Ne pas s'appuyer contre l'imprimante Celle-ci peut tomber et vous pouvez être blessé.
- Faire attention au couteau de l'imprimante.
- Débranchez l'imprimante lorsqu'elle n'est pas utilisée pendant une longue période.

Au sujet de la maintenance

- Faites appel à nos services de maintenance. Après avoir reçu le matériel, prenez contact avec votre revendeur agréé TOSHIBA TEC pour une visite de maintenance annuelle, de manière à effectuer un nettoyage complet de l'intérieur de la machine. Autrement, la poussière qui s'accumule à l'intérieur de la machine peut être source d'incendie ou de mauvais fonctionnement. Le nettoyage est particulièrement nécessaire avant les saisons humides ou pluvieuses.
- Nos services de maintenance effectuent les vérifications périodiques et les autres opérations nécessaires à maintenir la qualité et la performance des imprimantes. Prévenant de ce fait les problèmes. Pour tous détails, consultez votre revendeur agréé TOSHIBA TEC.
- Utilisations d'insecticides et d'autres produits. N'exposez pas les machines aux insecticides ou à d'autres solvants volatiles, dans la mesure où cela peut endommager les capots ou entraîner un écaillage de la peinture.

TABLE DES MATIERES

	Page
1. INTRODUCTION	F1- 1
1.1 Modèle Applicable	F1- 1
1.2 Accessoires	F1- 1
2. SPECIFICATIONS	F2- 1
2.1 Imprimante.....	F2- 1
2.2 Options	F2- 1
2.3 Papier	F2- 2
2.4 Film	F2- 2
3. VUE GENERALE	F3- 1
3.1 Face Avant et Arrière	F3- 1
3.2 Panneau de Contrôle	F3- 1
4. UTILISATION DES DIP SWITCH	F4- 1
5. MISE EN ROUTE DE L'IMPREIMANTE	F5- 1
5.1 Connexion du cordon d'alimentation et des câbles	F5- 1
5.2 Installation du filtre sur le ventilateur	F5- 1
6. CHARGEMENT DU PAPIER	F6- 1
7. CHARGEMENT DU FILM	F7- 1
8. INSTALLATION DE LA CARTE MEMOIRE FLASH (OPTION)	F8- 1
9. PRECAUTION DE STOCKAGE DES CONSOMMABLES	F9- 1
10. MAINTENANCE	F10- 1
10.1 Nettoyage	F10- 1
10.2 Capot, Face Avant	F10- 2
10.3 Elimination des Fournitures Coincées	F10- 2
10.4 Régler la Détection des Étiquettes pré-imprimées	F10- 4
11. DEPISTAGE DES PANNES	F11- 1

ATTENTION:

1. *Ce manuel ne peut être copié, en entier ni en partie sans autorisation préalable de TOSHIBA TEC.*
2. *Le contenu de ce manuel peut être changé sans information préalable.*
3. *Veillez contacter votre distributeur TOSHIBA TEC pour toutes questions.*

1. INTRODUCTION

Nous vous remercions d'avoir porté votre choix sur l'imprimante transfert thermique de la série B-570. Ce modèle a été conçu pour être utilisé dans un environnement hostile, les consommables étant placés à l'intérieur. C'est une nouvelle génération d'imprimante extrêmement performante. Tête thermique à impression rapprochée, haute densité 12 points mm pour une impression de qualité et une vitesse d'impression de 203.2 mm/sec.

Un système d'économiseur de ruban automatique est inclus dans l'imprimante ainsi qu'un ré-embobineur et un système de pré-décollage des étiquettes. Il existe aussi une interface rapide de connexion vers PC pour vos impressions graphiques.

Ce manuel contient des informations sur l'installation générale et l'entretien de l'imprimante B-570. Nous vous conseillons de le lire attentivement pour obtenir de votre imprimante des performances maximales. Les dispositifs de sécurité ayant été étudiés avec soin, il n'y a aucun danger d'endommager l'imprimante par une opération incorrecte. Pour toute question au sujet de l'imprimante, veuillez vous référer au présent manuel. Prière de le conserver à toutes fins utiles.

WARNING!

This is a Class A product. In a domestic environment this product may cause radio interference in which case the user may be required to take adequate measures.

ATTENTION:

Afin d'éviter tout dommage, éviter d'accrocher ou de coincer vos doigts lorsque vous ouvrez ou le capot.

ATTENTION:

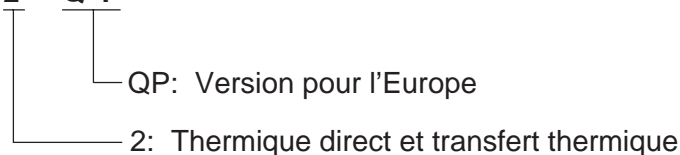
Ne pas toucher des parties mobiles. Pour réduire le risque que des doigts, la joaillerie, les vêtements, etc., seraient tirés dans les parties mobiles, pousser l'interrupteur à la "coupé" pour arrêter le mouvement.

1.1 Modèle Applicable

- B-572-QP

Description du modèle

B - 5 7 2 - Q P

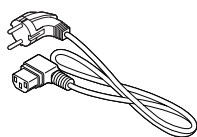


1.2 Accessoires

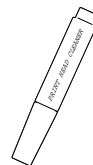
Manuel utilisateur
(EM1-33031)



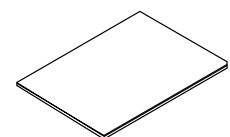
Cordon
d'alimentation



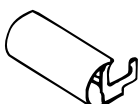
Nettoyeur de tête
(24089500013)



Procédure de
déballage



Guide réembobineur
(FMBD0034501)



Filtre sur le ventilateur
(FMBB0036801)



Vis
(SM-4x6B)



2. SPECIFICATIONS

2.1 Imprimante

Article	Type	Série B-570-QP
Alimentation		CA 220 ~ 240 V + 10 %, -15 %, 50 Hz, +2 Hz, -2 Hz
Consommation		198W max. (attente: 51 W max.)
Limites de température		5°C ~ 40°C
Humidité relative		25 % ~ 85 % HR (sans condensation)
Tête d'impression		Tête d'impression thermique 12 points au mm
Méthode d'impression		Transfert thermique ou thermique direct
Vitesse d'impression		76.2 mm/sec., 127 mm/sec., 203.2 mm/sec.,
Largeur d'impression		127.5 mm
Méthode de sortie		En lot, en pré-décollage ou en coupe
Affichage de message		20 caractères sur une ligne (LCD)
Dimension		291 mm (L) x 460 mm (l) x 308 mm (H)
Poids		19 Kg
Type de codes à barre		JAN8, JAN13, EAN8, EAN8 + 2, EAN8 + 5 EAN13, EAN13 + 2, EAN13 + 5 UPC-E, UPC-E + 2, UPC-E + 5 UPC-A, UPC-A + 2, UPC-A + 5 MSI, ITF, NW-7, CODE39, CODE93, CODE128, EAN128 PDF417, DATA MATRIX, Industrial 2 to 5
Polices		Times Roman (6), Helvetica (6), Presentation (1), Letter Gothic (1), Prestige Elite (2), Courier (2), OCR (2), Polices télé-chargeables (40), Police vectorielle (1)
Rotation des zones		0°, 90°, 180°, 270°
Interface standard		Série (RS-232C) Parallèle (CENTRONICS) Carte Entrée-Sortie Carte mémoire Flash
Interface en option		Carte interface rapide pour PC

2.2 Options

Nom	Type	Usage	Source
Module cutter	B-4205-QM	Cette pour coupe à l'arrêt.	Voir Note 1
Interface PC rapide	B-4800-PC-QM	Chargement de l'image graphique à haute vitesse.	Voir Note 1
Guide Papier Paravent	B-4905-FF-QM	Ce guide papier est spécifique au paravent.	Voir Note 1
Carte D-RAM	FMBC0067801	Carte mémoire RAM 2 Mo qui augmente les capacités graphiques de l'imprimante.	Voir Note 2
Carte mémoire Flash	—————	Carte mémoire Flash (1MB et 4 MB) pour mémoriser logos, polices téléchargeables et formats.	Voir Note 3

- NOTES:**
1. Disponible chez votre revendeur agréé TOSHIBA TEC ou auprès du siège TOSHIBA TEC.
 2. Disponible auprès du service pièces détachées TOSHIBA TEC.
 3. Lorsque vous achetez des cartes Flash d'une autre source, vérifiez que leur spécifications correspondent aux descriptions de la page 8-1.

2.3 Papier

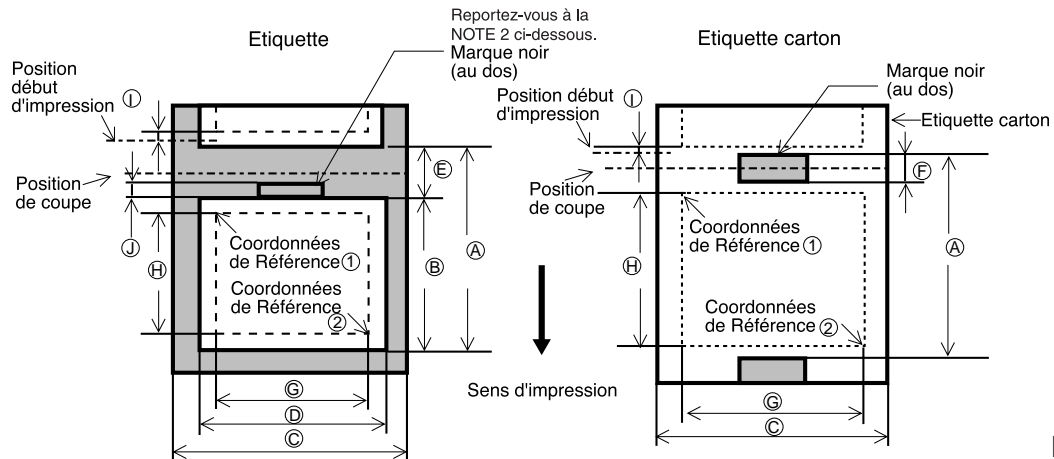


Fig. 2-1

[Unité: mm]

Article		Mode d'impression		Par lot	A la demande	A la coupe
		Standard	Mémoire max.			
Ⓐ : Hauteur hors tout				10.0 ~ 999.0	25.4 ~ 999.0	Etiquette: 38 ~ 999.0 Carte: 25.4 ~ 999.0
Ⓑ : Hauteur étiquette				8.0 ~ 997.0	23.4 ~ 997.0	25.0 ~ 993.0
Ⓒ : Largeur hors tout				50.8 ~ 140.0		
Ⓓ : Largeur étiquette				47.8 ~ 137.0		
Ⓔ : Echenillage				2.0 ~ 20.0	2.0 ~ 20.0	6.0 ~ 20.0
Ⓕ : Marque noir (Etiquette carton)				2.0 ~ 10.0		
Ⓖ : Largeur d'impression				10.0 ~ 128.0		
Ⓗ : Hauteur d'impression	Etiquette	Standard		6.0 ~ 298.6	21.4 ~ 298.6	23.0 ~ 298.6
		Mémoire max.		6.0 ~ 995.0	21.4 ~ 995.0	23.0 ~ 991.0
	Carte	Standard		8.0 ~ 298.6	23.4 ~ 298.6	23.4 ~ 298.6
		Mémoire max.		8.0 ~ 997.0	23.4 ~ 997.0	23.4 ~ 997.0
Ⓛ : Distance de non impression				1.0		
Ⓜ : Marque noir (Etiquette)				Reportez-vous à la NOTE 2 ci-dessous.		
Longueur max.		Standard		149.3		
		Mémoire max.		661.3		
Diamètre externe bobine papier				ø200 (max.)		
Épaisseur	Etiquette			0.13 ~ 0.17		
	Carton			0.15 ~ 0.29		

- NOTES:**
- Les media specifications qui n'ont pas été écrites là-dessus n'ont pas été changées.
 - Lors de l'utilisation de rouleaux d'étiquette avec marque noire, les spécifications suivantes doivent être respectées.
Lorsque la longueur de la marque noire est inférieure à 4 mm:
La longueur de la marque noire doit être supérieure à la hauteur de l'échenillage.
Lorsque la longueur de la marque noire est supérieure à 4 mm:
La marque noire ne doit pas dépasser de plus de 4 mm sur l'étiquette suivante.

2.4 Film

Type	Bobine
Largeur	68 mm à 134 mm
Longueur	600 m
Diamètre externe	ø90 mm (max.)

- NOTES:**
- L'impression au vol signifie que l'imprimante procède à l'impression et au dessin de l'étiquette en même temps, il n'y a pas d'arrêt entre deux étiquettes.
 - Il est recommandé d'utiliser des rubans et des papiers recommandés par TOSHIBA TEC.
 - La coupe des étiquettes adhésives peut se faire à partir d'une hauteur de 35 mm.
 - Si vous utilisez le ré-embobineur interne, le diamètre externe de la bobine papier doit être de 180 mm maximum.
 - En mode d'économie de film, n'utilisez pas de papier dont la surface est rugueuse, afin d'éviter des traces noires à l'impression.

3. VUE GENERALE

3.1 Face Avant et Arrière

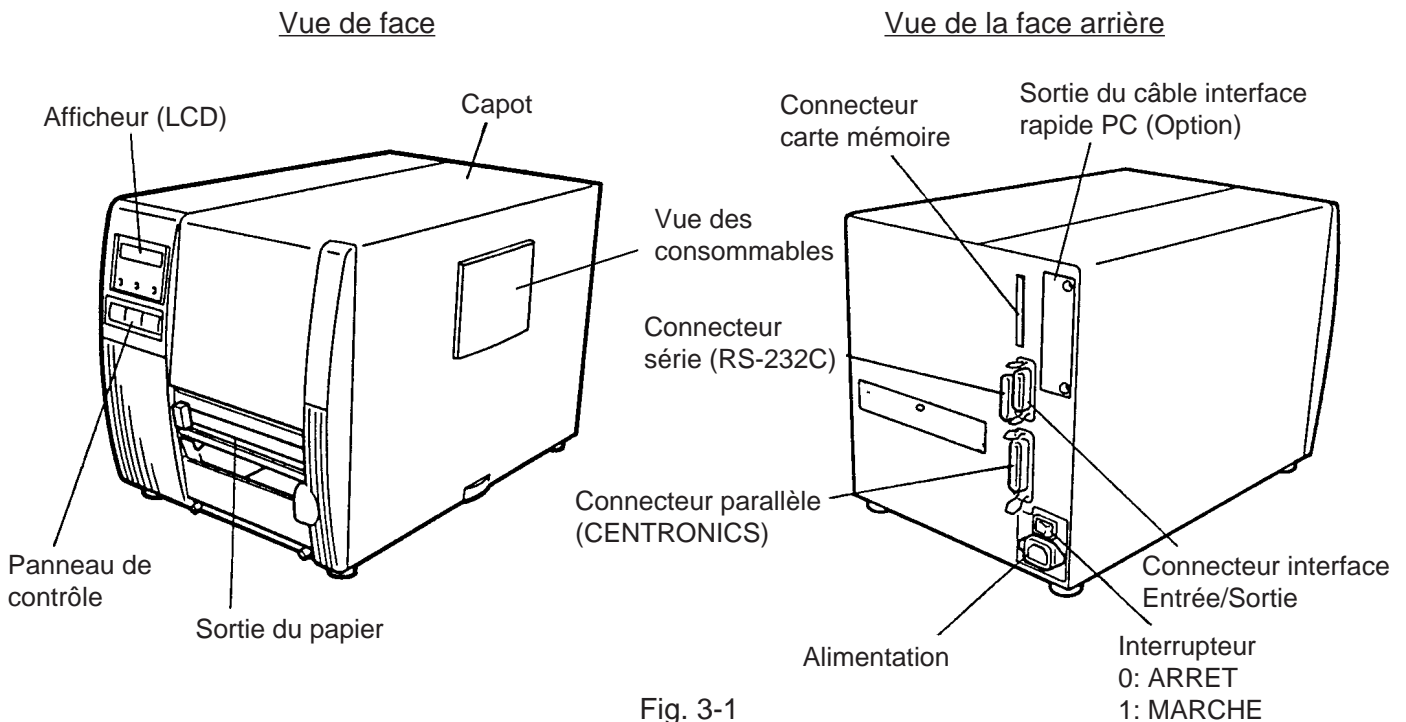


Fig. 3-1

3.2 Panneau de contrôle

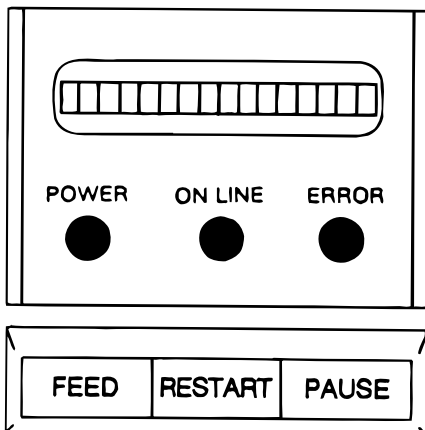


Fig. 3-2

AFFICHAGE DES MESSAGES (LCD)

Les messages sont affichés dans la langue choisie par les DIP SWITCH. Lors de la mise sous tension, "PRETE" est affiché.

VOYANT POWER (Vert)

Allumé lorsque l'imprimante est sous tension.

VOYANT ON-LINE (Vert)

- 1) Clignote pendant une communication avec l'ordinateur.
- 2) Allumé pendant l'impression.

VOYANT ERREUR (Rouge)

Allumé lors d'une erreur de transmission, d'une fin de papier ou de ruban.

Touche FEED

Avance d'une étiquette.

Touche RESTART

Relance l'impression lors d'une pause ou à la suite d'une erreur. Utilisé pour la détection des papiers pré-imprimés. (Voir page 10-4)

Touche PAUSE

Arrête l'impression en cours.

L'afficheur indique "PAUSE" suivi du nombre d'étiquettes restant à imprimer. Utilisé pour la détection des papiers pré-imprimés. (Voir page 10-4)

4. UTILISATION DES DIP SWITCH

Les interrupteurs sont situés du côté droit du support papier.

ATTENTION!

Couper l'alimentation de l'imprimante avant de modifier la configuration.

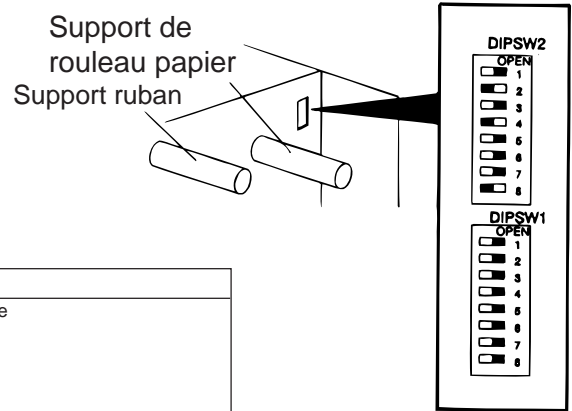


Fig. 4-1

(1) Interrupteur 1 - DIP SW 2

N°.	ON/OFF		Fonction	
	1	2		
1	OFF	OFF	2400 BPS	Vitesse
	ON	ON	4800 BPS	
2	OFF	OFF	9600 BPS	
	ON	ON	19200 BPS	
3	OFF	1 bit	Stop bit	
	ON	2 bits		
4	OFF	7 bits	Longueur	
	ON	8 bits		
5	OFF	Sans	Parité	
	ON	Avec		
6	OFF	Pair	Contrôle de prité	
	ON	Impair		
7	7	8	Protocol	
	OFF	OFF		XON/XOFF (Pas de XON à l'allumage) (Pas de XOFF à l'arrêt)
8	ON	OFF	READY/BUSY (DTR) (Pas de XON à l'allumage) (Pas de XOFF à l'arrêt) READY/BUSY (RTS) (Pas de XON à l'allumage) (Pas de XOFF à l'arrêt)	
	OFF	ON	XON/XOFF + READY/BUSY (XON à l'allumage) (XOFF à l'arrêt)	
	ON	ON	XON/XOFF (XON à l'allumage) (XOFF à l'arrêt)	

(2) Interrupteur 2 - DIP SW 1

N°.	ON/OFF			Fonction	
	2	3	4		
1	OFF	Sans		Economiseur de ruban	
	ON	Avec			
2	OFF	OFF	OFF	Sélection de la langue	
	ON	OFF	OFF		
3	OFF	ON	OFF	Allemand	
	ON	ON	OFF	Français	
4	OFF	OFF	ON	Flamand	
	ON	OFF	ON	Espagnol	
5	OFF	ON	ON	Japonais	
	OFF	ON	ON	Italien	
6	ON	ON	ON	---	
	OFF	Sans		Avance papier automatique après la coupe	
ON	Avec				
7	OFF	Sans		Ré-embobineur interne/Dégagement de tête avec massicot	
	ON	Avec			
8	OFF	Inutilisé		Reportez-vous à la NOTE 2 ci-dessous.	
	ON	Inutilisé			

- NOTES:**
1. Les positions en grisé sont celles par défaut. OPEN = OFF
 2. La fonction du Dip switch #1-6 dépend des équipements installés.
 3. Au cas où vous souhaiteriez changer pour le mode READY/BUSY (DTR) ou pour le mode READY/BUSY (RTS), veuillez prendre contact avec votre revendeur agréé TOSHIBA TEC.

5. MISE EN ROUTE DE L'IMPRIMANTE

5.1 Connexion du cordon d'alimentation et des câbles

AVERTISSEMENT!

Prendre soin de couper l'alimentation avant de connecter le cordon d'alimentation et les autres câbles.

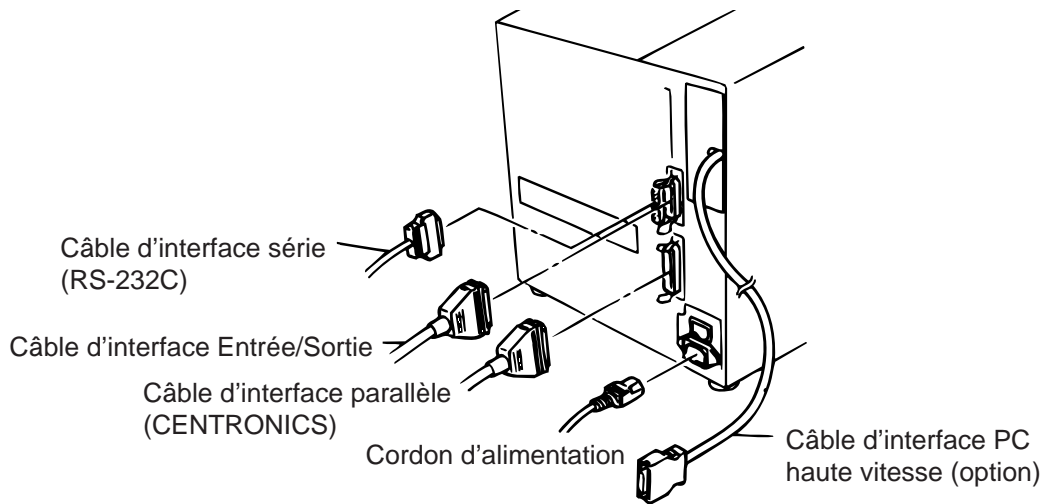


Fig. 5-1

5.2 Installation du filtre sur le ventilateur

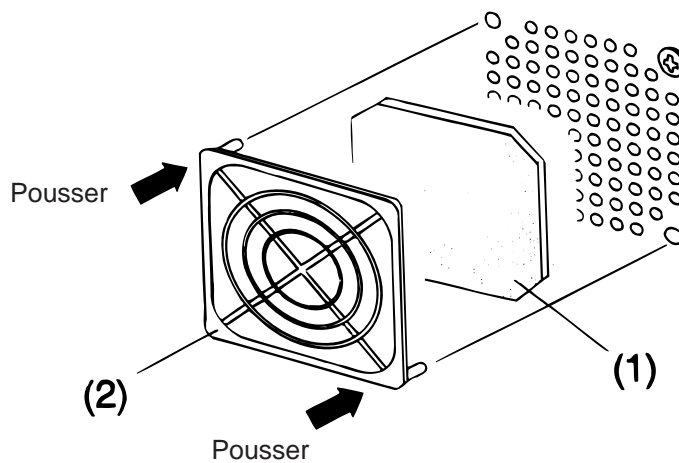


Fig. 5-2

Pendant l'installation de l'imprimante, il est important de vérifier le bon positionnement du filtre.

Le système de filtrage est composé de deux parties:

- (1) La mousse filtrante
- (2) Le support

Pour installer le filtre, placer la partie de mousse dans le support, puis le positionner en face des trous et le pousser.

6. CHARGEMENT DU PAPIER

AVERTISSEMENT!

1. Ne pas toucher des parties mobiles. Pour réduire le risque que des doigts, la joaillerie, les vêtements, etc., seraient tirés dans les parties mobiles, pousser l'interrupteur à la "coupé" pour arrêter le mouvement.
2. Afin d'éviter tout dommage, éviter d'accrocher ou de coincer vos doigts lorsque vous ouvrez ou le capot.

L'imprimante peut imprimer sur des étiquettes autocollantes ou cartonnées.

1. Mettre l'imprimante hors tension et ouvrir le capot.
2. Tourner le levier de tête en position ③ afin de déverrouiller la plaque des supports ruban.

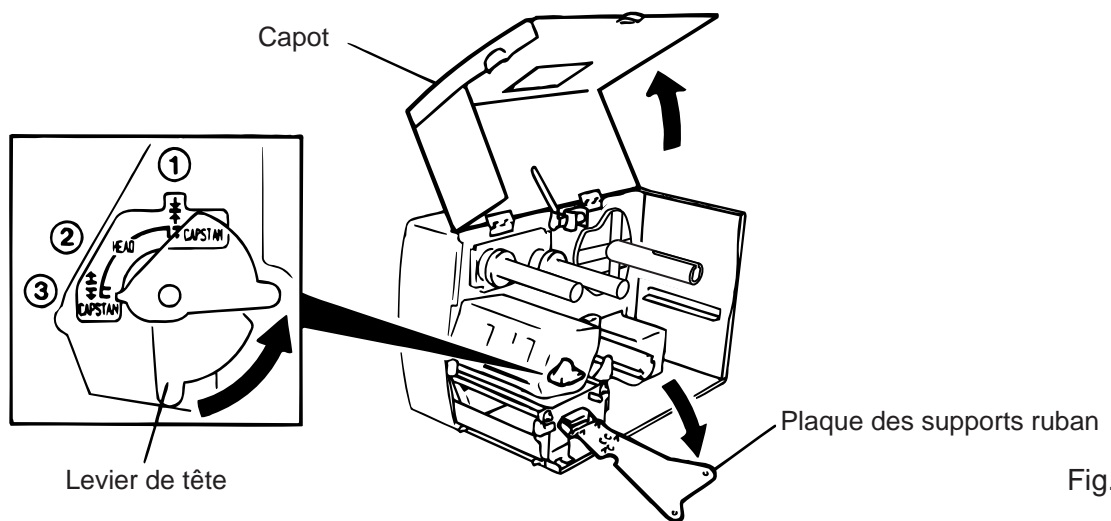


Fig. 6-1

- NOTES:**
1. Lorsque le levier de tête est ouvert, la tête d'impression est relevée.
 2. Lorsque le levier de tête est ouvert, le galet d'entraînement arrière du papier est libéré.
 3. Pendant l'impression, le levier de tête doit être en position ①, la tête et l'entraînement du papier sont fermés.

3. Tourner l'anneau de verrouillage vers la gauche pour dégager le guide papier et le sortir de l'axe.

NOTE: Ne tournez pas trop loin l'anneau de blocage vers la gauche (sens anti horaire) car il pourrait se détacher du support.

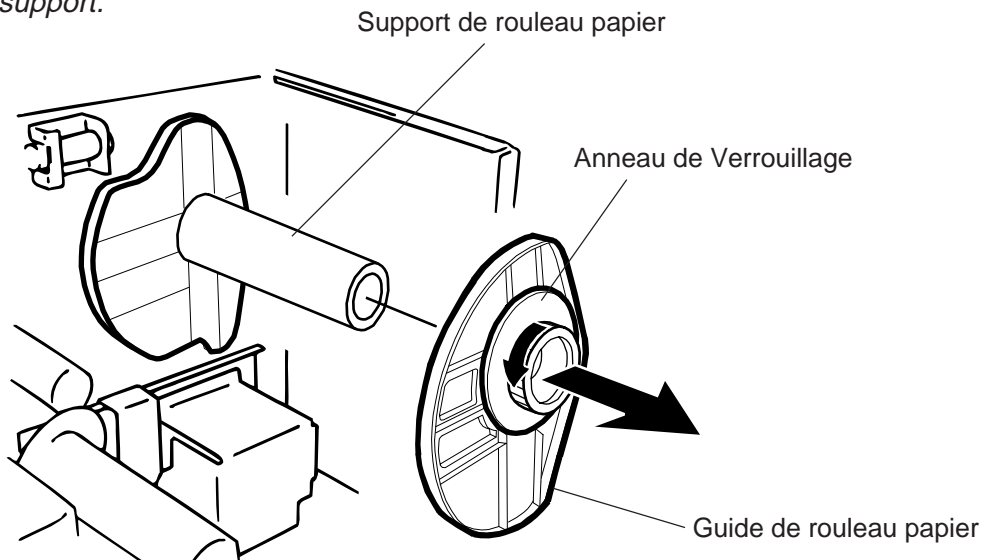


Fig. 6-2

4. Mettre la bobine sur l'axe support papier.
5. Passer le papier autour du regulateur de tension, puis le tirer vers la face avant de l'imprimante. Fixer le guide de rouleau papier restant sur le support papier.
6. Insérez l'ergot du guide papier dans la rainure sur l'axe du support papier, et resserrer de manière à bloquer le rouleau papier. Tourner alors l'anneau de verrouillage pour fixer le support papier en position. Cela a pour effet de centrer automatiquement le rouleau.

NOTE: Ne pas trop serrer l'anneau de verrouillage.

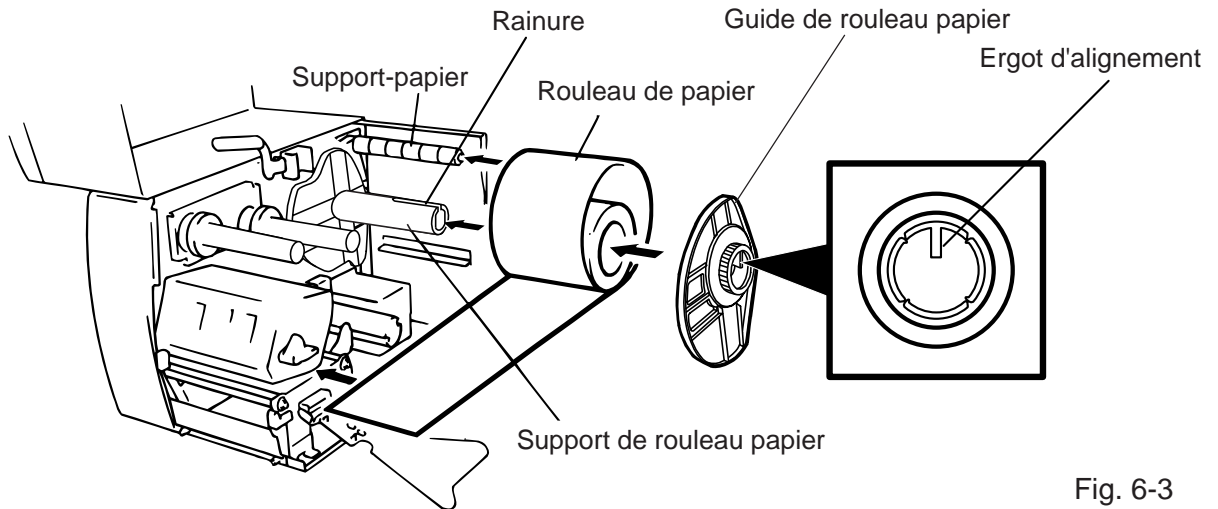


Fig. 6-3

7. Insérez le papier entre les plaques porte-papier du guide, ajustez les guides en largeur et serrez les vis de blocage.
8. Vérifier que le défilement du papier entre le support et la sortie est bien aligné.

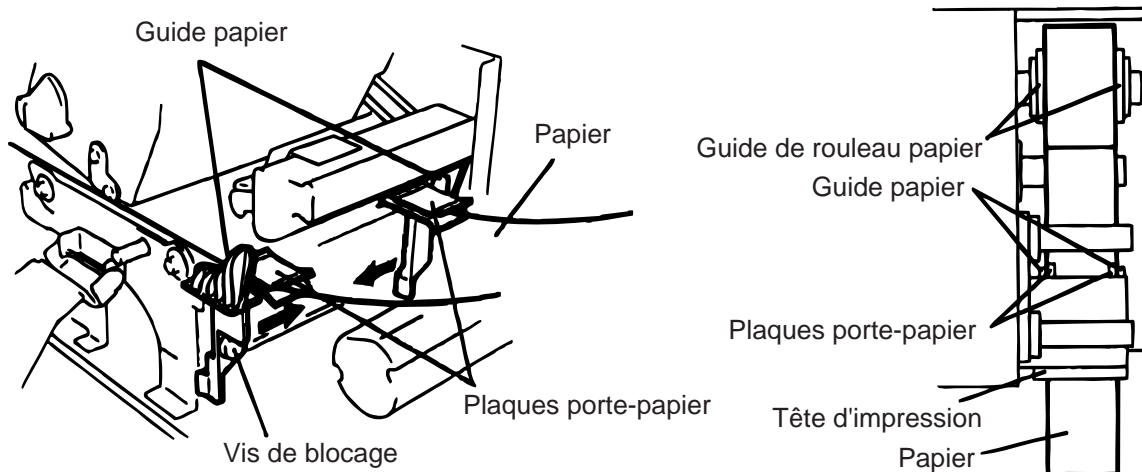


Fig. 6-4

NOTE: Lors de l'utilisation de rouleaux d'étiquettes avec enroulement extérieur, veuillez enlever les deux plaques porte-papier en suivant la procédure suivante. Laisser les plaques peut provoquer des bourrages papier.

N'hésitez pas à contacter votre agence TOSHIBA TEC la plus proche pour tous renseignements.

■ Démontage des plaques porte papier du guide papier

- ① Retirez les deux vis T-4x8 pour séparer le guide papier de l'imprimante.

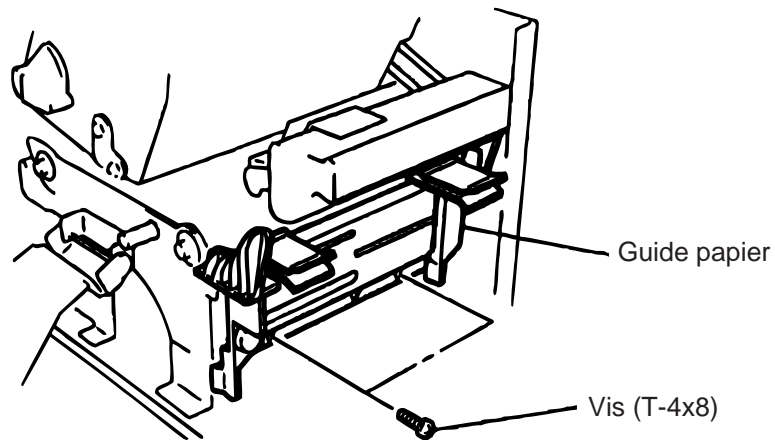


Fig. 6-5

- ② Retirez les vis SM-3x6 ou SM-3x8 pour séparer les plaques porte papier supérieures du guide papier.

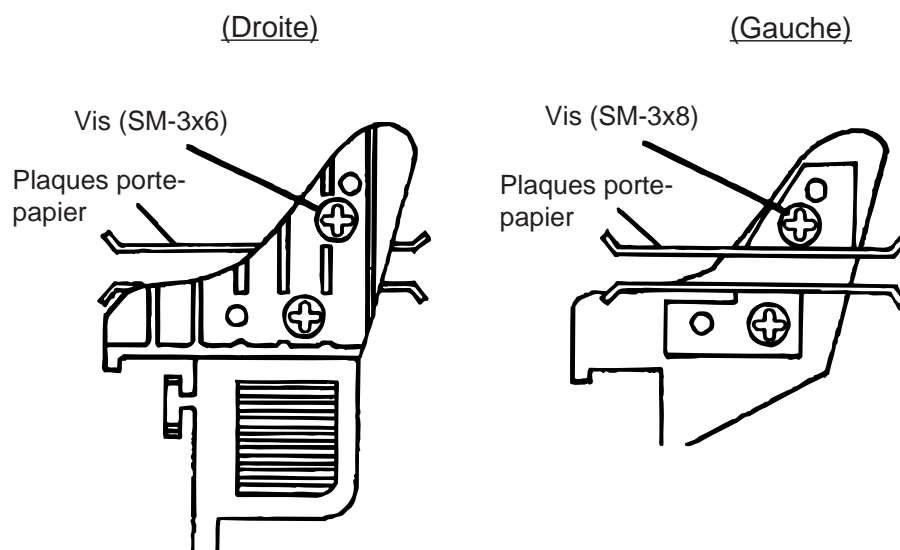


Fig. 6-6

- ③ Remettez le guide papier en place.

NOTE: Ne perdez pas les plaques supérieures car vous pourrez en avoir besoin si vous utilisez des rouleaux d'étiquettes avec enroulement intérieur.

9. Ajuster la position des cellules de détection papier. Lorsque vous tournez la vis vers la droite, les cellules se rapprochent du milieu, vers la gauche, elles s'éloignent.

■ Positionnement de la cellule de marque noire

- ① Sortir le papier de 500 mm et le faire entrer de nouveau sous la tête jusqu'aux cellules.
- ② Ajuster la position de la cellule marque noire pour avoir votre marque au milieu de celle-ci.

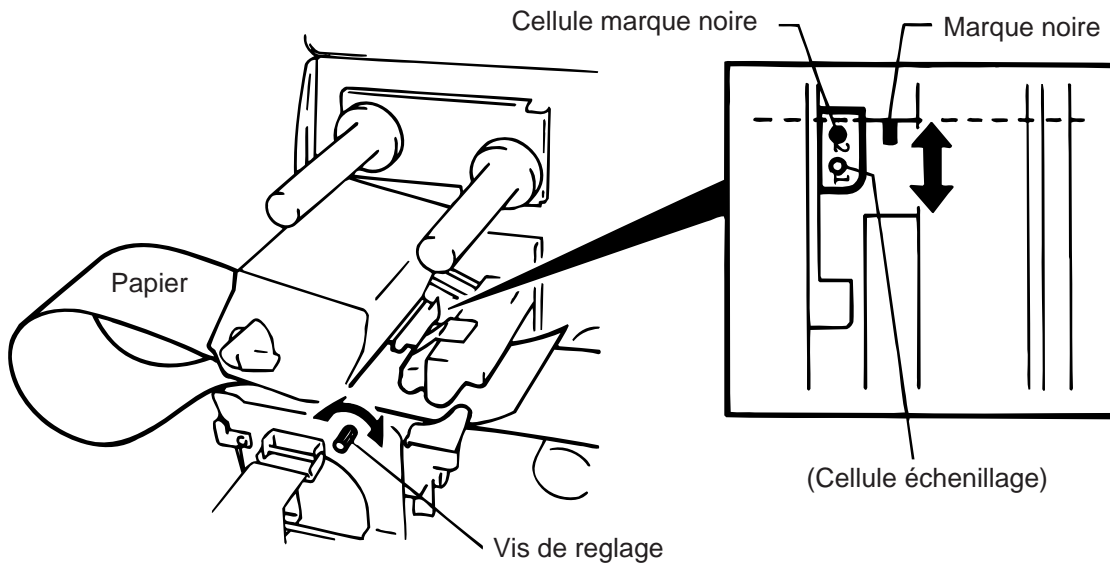


Fig. 6-7

ATTENTION: Veiller à positionner la cellule au milieu de la marque, dans le cas contraire, vous aurez des problèmes de détection papier.

■ Positionnement de la cellule d'échenillage

- ① Positionner la cellule pour la détection de l'échenillage.

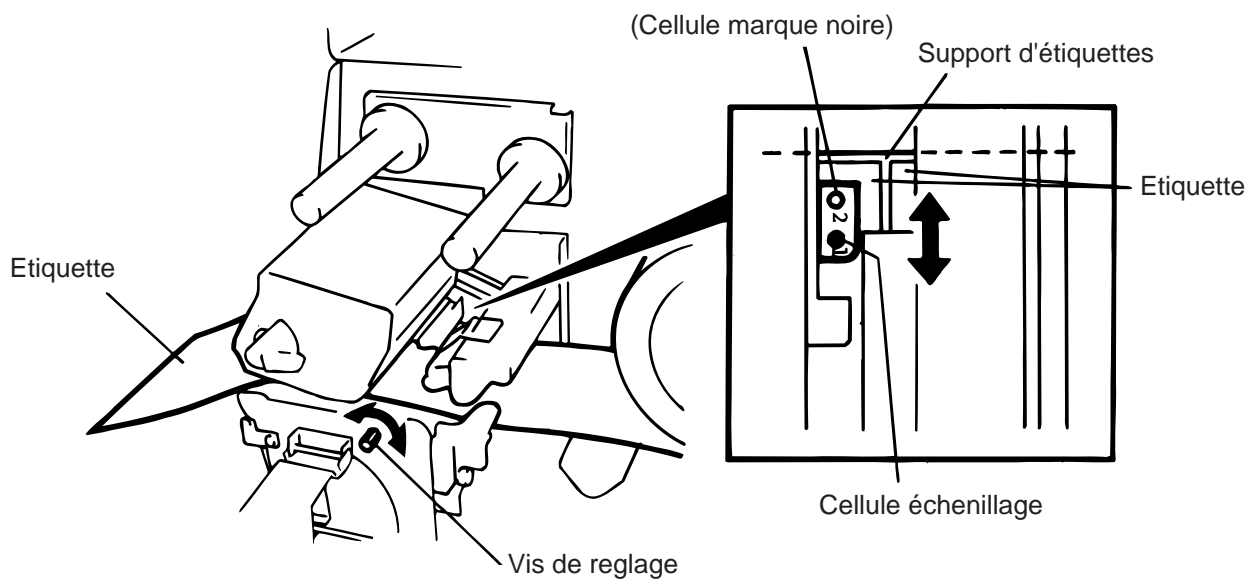


Fig. 6-8

10. Les opérations de chargement du papier et du réglage des cellules sont terminées.

Impression par lot:

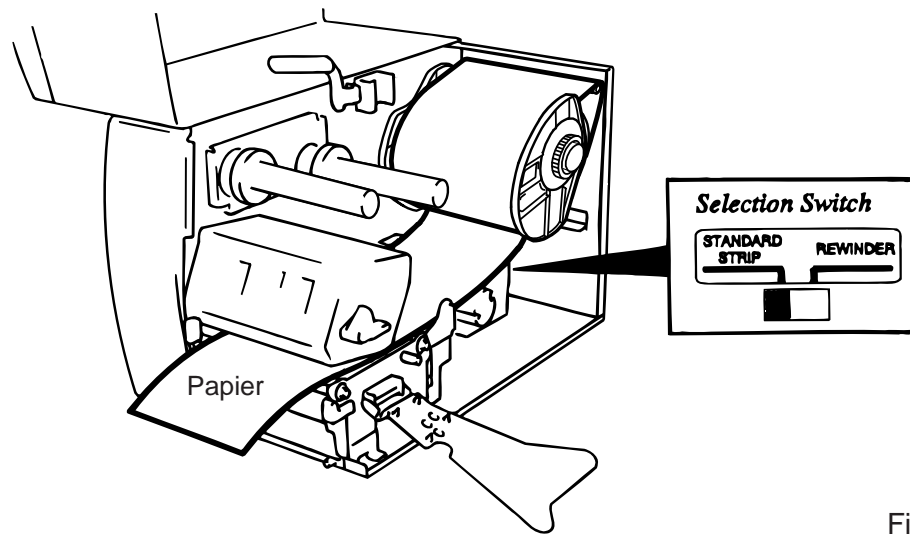


Fig. 6-9

NOTE: Placer le DIP SWITCH en position de STANDARD/STRIP. Une mauvaise position peut affecter la qualité de l'impression.

Pré-décollage:

- ① Retirer les étiquettes sur 50 cm du support silicone.
- ② Enrouler le support silicone sur le rembobineur et le fixer à l'aide de la pince papier.
- ③ Bobiner le papier support sur le rouleau afin de le tendre.

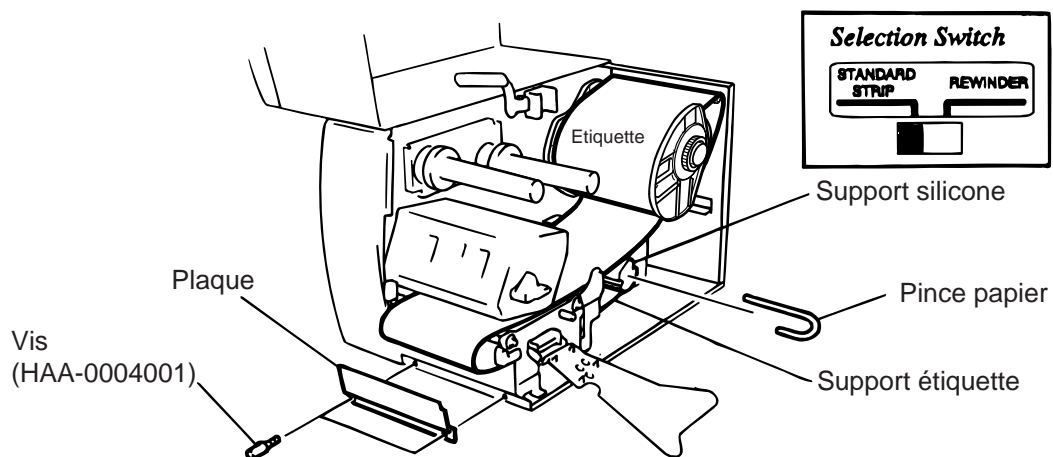


Fig. 6-10

NOTES: 1. Il est plus facile de retirer la plaque avant pour insérer le papier.
2. Placer le DIP SWITCH en position de STANDARD/STRIP.

Coupe: Lors de l'utilisation du module de coupe, faites sortir le papier du couteau lors de sa mise en place.

- NOTES:**
1. Il ne faut pas couper dans l'étiquette adhésive car la colle peut se déposer sur la lame, entraîner des problèmes de coupe et réduire la durée de vie de celle-ci. Dans ce cas, coupez dans l'échenillage.
 2. Si le bords du papier colle sur le cylindre d'impression après une coupe, mettre le DIP SWITCH 1-5 sur ON.
 3. Pour sélectionner l'option cutter, le DIP SWITCH peut être placé sur l'autre position.

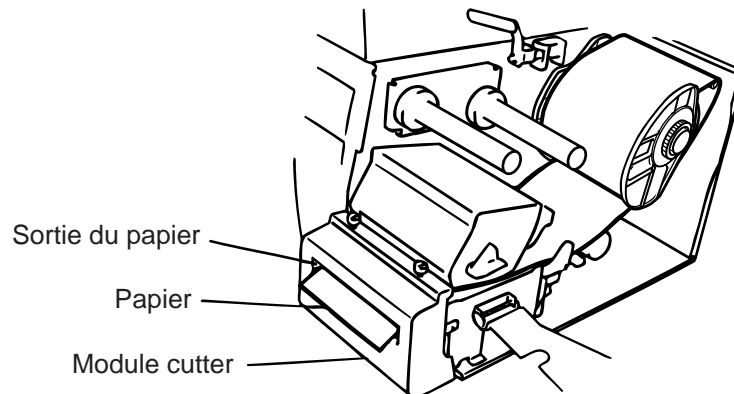


Fig. 6-11

Ré-embobineur interne:

- ① Démontez la plaque avant à l'aide des 2 vis.
- ② Montez à la place le guide de ré-embobinage et ses deux vis.

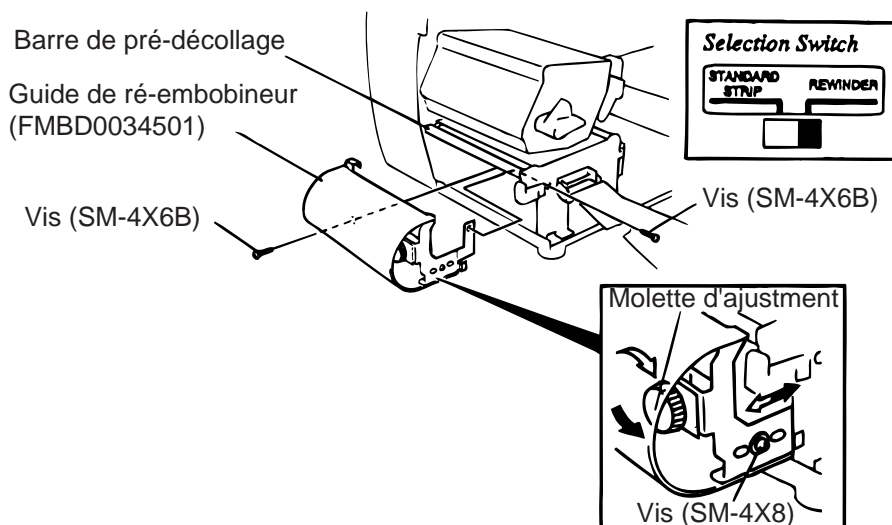


Fig. 6-12

NOTE: Placer le DIP SWITCH en position REWINDER.

- ③ Suivre la procédure du chargement de papier en mode pré-décollage.
- ④ Réglage

Si les étiquettes se décalent latéralement, ajustez la molette de réglage sur le guide du ré-embobineur pour corriger le guidage papier. Tournez dans le sens horaire pour avancer le guide, et dans le sens anti-horaire pour reculer le guide.

* Si les étiquettes se décalent à droite:

Desserrez la vis SM-4x8 avec un tournevis à tête phillips. Tournez la molette dans le sens horaire, et resserrez la vis SM-4x8 lorsque le guide du ré-embobineur est correctement réglé.

* Si les étiquettes se décalent à gauche:

Desserrez la vis SM-4x8 avec un tournevis à tête phillips. Tournez la molette dans le sens anti-horaire, et resserrez la vis SM-4x8 lorsque le guide du ré-embobineur est correctement réglé.

7. CHARGEMENT DU FILM

AVERTISSEMENT!

1. *Ne pas toucher des parties mobiles. Pour réduire le risque que des doigts, la joaillerie, les vêtements, etc., seraient tirés dans les parties mobiles, pousser l'interrupteur à la "coupé" pour arrêter le mouvement.*
2. *Afin d'éviter tout dommage, éviter d'accrocher ou de coincer vos doigts lorsque vous ouvrez ou le capot.*

Il y a deux types de papier, le papier standard et le papier thermique qui réagit à la chaleur. **NE PAS METTRE DE RUBAN** lors de l'utilisation du papier thermique.

1. Lors de l'utilisation d'un ruban étroit, déplacer le guide bobine en fonction de sa largeur pour le centrer par rapport à la tête. Pour déplacer ce guide, le tourner de 90° et le pousser.

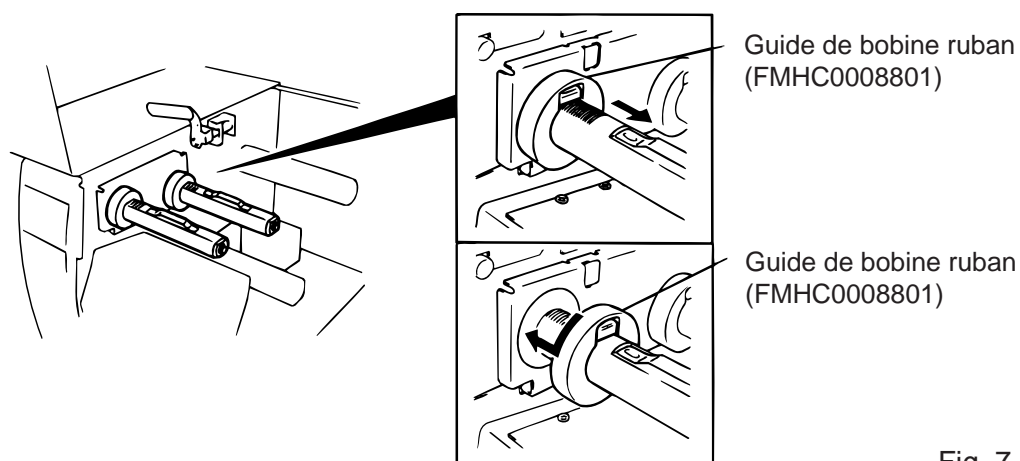


Fig. 7-1

2. Placer le ruban comme indiqué sur le dessin. Le ruban doit passer devant la cellule de présence ruban.
3. Bobiner le ruban afin de le tendre et d'éviter qu'il ne flotte trop.

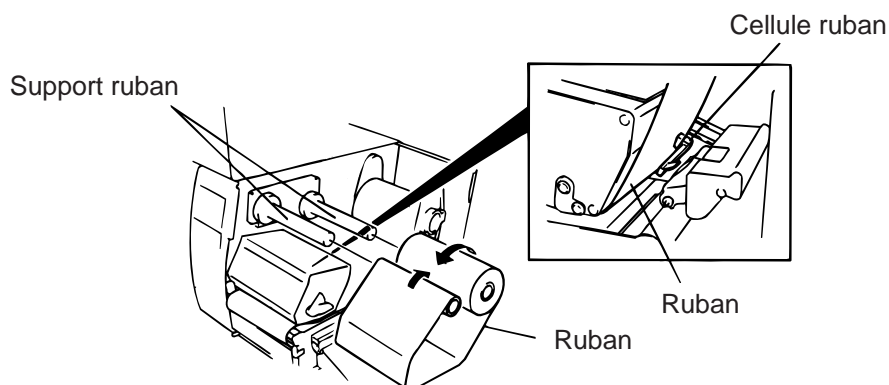


Fig. 7-2

4. Remettre en place la plaque des supports ruban.
5. Fermer la tête en tournant le levier de tête.
6. Fermer le capot.

8. INSTALLATION DE LA CARTE MEMOIRE FLASH (OPTION)

ATTENTION!

Mettez l'imprimante hors tension lors de la mise en place ou de la sortie de la carte mémoire.

PRECAUTION:

Pour protéger la carte mémoire, veuillez d'abord toucher le capot de l'imprimante avant de toucher à celle-ci.

1. Mettre l'appareil hors tension.
2. Insérer la carte mémoire dans le connecteur situé à l'arrière de l'imprimante sur laquelle vous chargerez vos données (Logos, fond de pages...).
3. Mettre l'appareil sous tension.

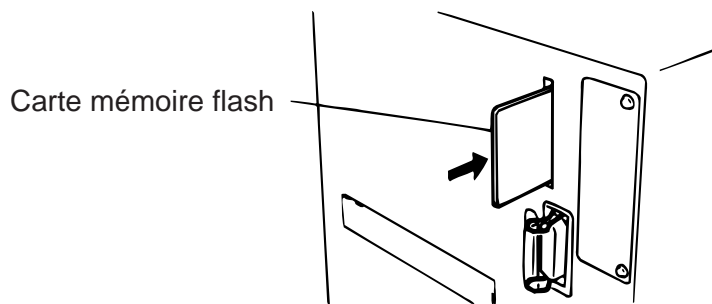


Fig. 8-1

- PRECAUTIONS:**
1. Prendre soin de protéger la carte mémoire en la rangeant dans son étui protecteur.
 2. Ne pas soumettre la carte mémoire à des chocs ou à des forces excessives.
 3. Ne pas laisser la carte mémoire à la chaleur, comme en plein soleil ou près d'un radiateur.
 4. Ne pas exposer la carte mémoire à de l'humidité excessive en l'essuyant avec un chiffon mouillé ou en la laissant dans un endroit humide.
 5. Avant de mettre ou d'enlever la carte mémoire, vérifier que l'appareil est hors tension.
 6. Les cartes Flash suivantes peuvent être utilisées (les cartes 1 Mo en lecture seule, les cartes 4 Mo en lecture/écriture.)

Capacité	Fabricant	Type	Code produit	Code fabricant
1M Byte	Maxell	EF-1M-TB [AA]	D0H	1CH
	Mitsubishi	MF81M1-GBDAT01		
4M Byte	Maxell	EF-4M-TB [CC]	88H	B0H
	Maxell	EF-4M-TB [DC]	ADH	04H
	Centennial Technologies INC.	FL04M-15-11119-03		01H
	INTEL	IMC004FLSA	A2H	89H
	Simple TECHNOLOGY	STI-FL/4A		
	Mitsubishi	MF84M1-G7DAT01		
	PC Card KING MAX	FJN-004M6C		
	PC Card	FJP-004M6R	A0H	89H

9. PRECAUTIONS DE STOCKAGE DES CONSOMMABLES

Utiliser uniquement des fournitures aux recommandations TOSHIBA TEC.

La raison de ces spécifications est d'assurer une bonne qualité d'impression, durée de vie de la tête et de produire des codes à barre lisibles. L'utilisation de fournitures hors normes peut réduire la durée de vie de la tête et provoquer de mauvaises impressions.

Toutes les fournitures doivent être stockées avec précaution afin d'éviter de les détériorer ou d'endommager l'imprimante.

Les indications suivantes pourront vous aider;

- Ne pas stocker les fournitures plus longtemps que recommandé.
- Stocker les consommables sur le côté du rouleau, le stockage côté bobine peut entraîner un plat qui provoquerait une mauvaise avance du papier et de mauvaises impressions.
- Enfermer les consommables dans des sacs en plastique clos.
Les fournitures non protégées peuvent prendre la poussière, ce qui risquerait de détériorer la tête d'impression.
- Stocker les consommables dans un lieu sec et tempéré.
Eviter de les exposer aux rayons directs du soleil, à une haute température, humidité, poussière ou gaz.
- Les caractéristiques du papier thermique, utilisé lors d'impressions thermiques directs ne doivent pas excéder "Na+800 ppm, K+250 ppm, CL-500 ppm".
- Certaines encres utilisées sur les étiquettes pré-imprimées peuvent contenir des composants risquant de raccourcir la durée de vie de la tête d'impression.
Ne pas utiliser d'étiquettes pré-imprimées avec une encre contenant des substances dures comme le "carbonic calcium" (CaCO_3) et le Kaolin ($\text{Al}_2\text{O}_3, 2\text{SiO}_2, 2\text{H}_2\text{O}$).

Pour plus d'informations, contacter votre distributeur ou fabricant de consommable.

10. MAINTENANCE

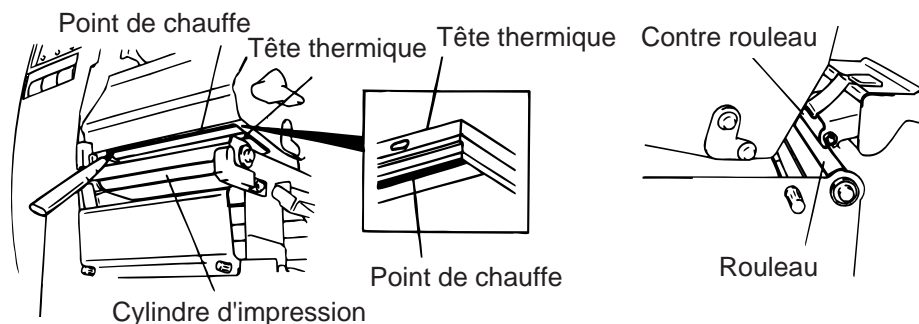
ATTENTION!

1. Attention, lorsque vous ouvrez le bloc d'impression, celui-ci peut être chaud.
2. Faire attention au couteau de l'imprimante.
3. Ne pas toucher des parties mobiles. Pour réduire le risque que des doigts, la joaillerie, les vêtements, etc., seraient tirés dans les parties mobiles, pousser l'interrupteur à la "coupé" pour arrêter le mouvement.
4. Afin d'éviter tout dommage, éviter d'accrocher ou de coincer vos doigts lorsque vous ouvrez ou le capot.

10.1 Nettoyage

Si la tête est encrassée, l'impression ne sera pas nette. Nous vous recommandons de nettoyer la tête avec le nettoyeur de tête thermique avant de mettre un nouveau ruban ou un nouveau rouleau de papier.

1. Mettre l'imprimante hors tension.
2. Ouvrir le capot supérieur.
3. Lever la tête d'impression à l'aide de son levier.
4. Enlever le papier et le ruban s'il y a lieu.
5. Nettoyer la tête d'impression à l'aide du nettoyeur de tête thermique fourni.
6. Nettoyer le rouleau d'impression avec de l'alcool, retirer les résidus de papier si nécessaire.



Nettoyeur de tête d'impression
(24089500013)

Fig. 10-1

ATTENTION!

1. Mettre l'imprimante hors tension avant toute manipulation.
2. Prendre soin de ne pas endommager la tête d'impression lors du nettoyage.
3. Ne pas vaporiser de liquide sur l'imprimante.

10.2 Capot, Face Avant

Nettoyer les capots à l'aide d'un chiffon sec ou imbibé d'une solution adaptée.

NOTE: Utiliser des produits prévus pour l'électricité statique.

ATTENTION!

1. NE PAS vaporiser de liquide directement sur l'imprimante.
2. NE PAS utiliser de détergent.
3. NE JAMAIS utiliser de solvantes.
4. NE PAS nettoyer la fenêtre avec de l'alcool, cela pourrait la rendre opaque.

10.3 Elimination des Fournitures Coincées

1. Mettre l'imprimante hors tension.
2. Soulever le capot supérieur.
3. Tourner le levier de tête pour déverrouiller la palaque des supports ruban.
4. Enlever la vis noire pour détacher la plaque du guide papier.
5. Retirer le papier et le ruban.
6. Enlever le papier coincé. NE PAS UTILISER d'outils qui pourraient endommager l'imprimante.
7. Nettoyer la tête et le cylindre d'impression des poussières ou autres substances.
8. Placez la partie ② de la plaque du guide papier sur la cellule papier. Immobiliser la plaque à l'aide de la vis noire.

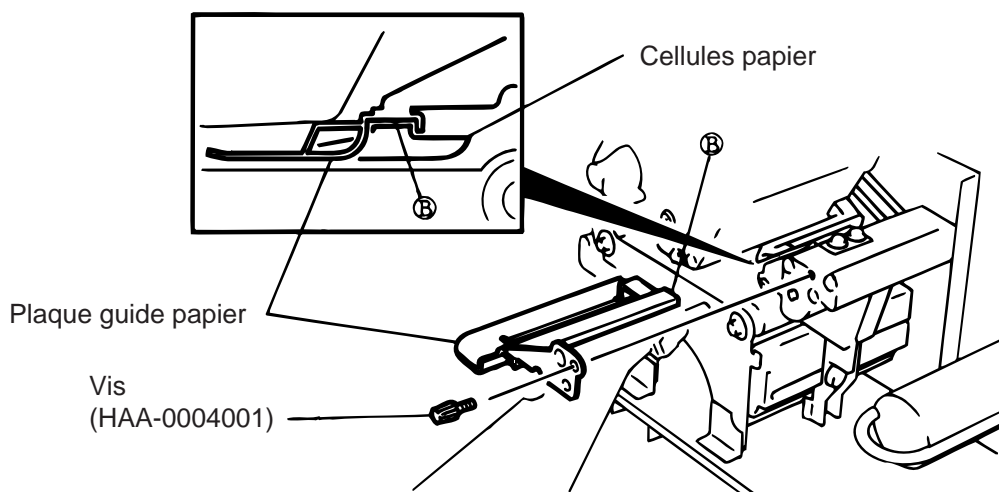


Fig. 10-2

9. Le bourrage dans le couteau peut être provoqué par l'usure de la lame. Ne pas utiliser de papier en dehors des spécifications. Si le bourrage se produit trop souvent, contacter votre service après vente TOSHIBA TEC.

■ Nettoyage du couteau

ATTENTION!

1. Vérifier que l'imprimante est hors tension.
2. Veiller à ne pas abîmer la lame du couteau.

1. Devisser les deux vis pour sortir le capot du couteau.
2. Retirer la vis blanche et le guide papier.
3. Enlever le papier coincé.
4. Nettoyer la lame à l'aide d'un chiffon doux.

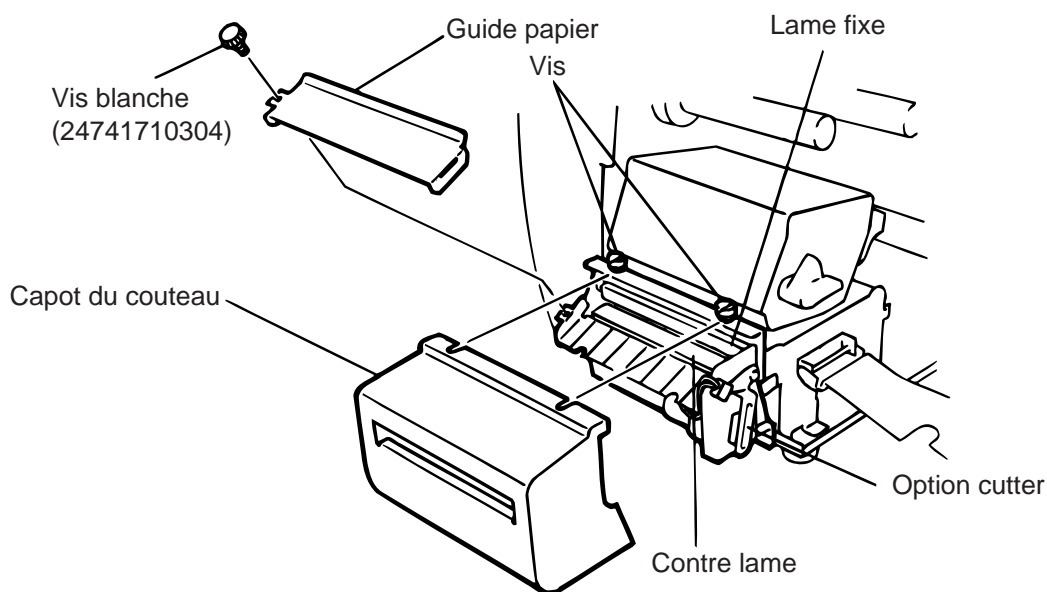


Fig. 10-3

5. Remonter dans l'ordre inverse.

■ Economiseur de ruban automatique

Le fonctionnement de cette fonction est automatique si vous l'avez sélectionné par les DIP SWITCH. La zone blanche minimum pour économiser est de 20 mm.

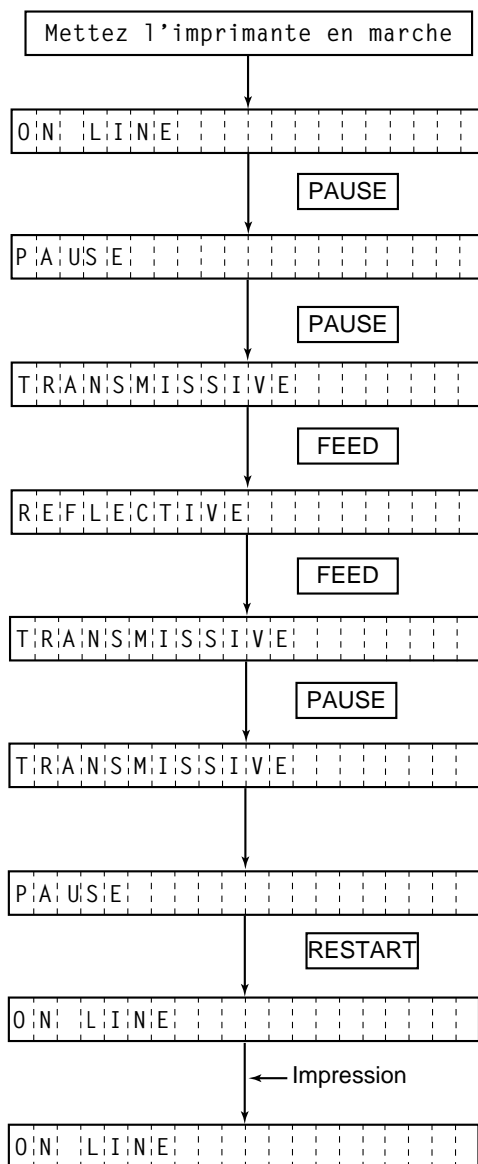
NOTA: En fonction de la vitesse et des diamètres des mandrins ruban, le gain de ruban est réduit de:

Vitesse	Réduction
3"/sec.	~ 5 mm
5"/sec.	~ 8 mm
8"/sec.	~ 17 mm

10.4 Régler la Détection des Etiquettes Pré-imprimées

Pour imprimer les étiquettes à une position constante, une cellule de transparence est utilisée pour détecter l'échenillage entre deux étiquettes ceci de façon automatique. Lors de l'utilisation d'un papier pré-imprimé, la cellule peut être trompée par les impressions sur le papier. Dans ce cas, effectuer une analyse de détection du papier par l'imprimante en utilisant le panneau de contrôle.

■ Méthode D'analyse



- (1) L'imprimante est en attente.
- (2) Chargez un rouleau pré-imprimé selon la méthode habituelle.
- (3) Appuyez sur la touche **[PAUSE]**.
- (4) L'imprimante se met en pause.
- (5) Avec le message PAUSE à l'afficheur, appuyez sur la touche **[PAUSE]** pendant au moins trois secondes.
- (6) Le type de cellule est affiché.
- (7) Appuyez sur la touche **[FEED]**.
- (8) La cellule par réflexion (marque noire) est sélectionnée.
- (9) Appuyez de nouveau sur la touche **[FEED]**.
- (10) La cellule par transparence (échenillage) est sélectionnée.
- (11) Appuyez et maintenez la touche **[PAUSE]**.
- (12) Le papier avance tant que la touche **[PAUSE]** n'est pas relâchée.
- (13) Maintenez la touche **[PAUSE]** appuyée jusqu'à avoir une avance de 1.5 étiquettes. (Le réglage du seuil de détection est ainsi effectué).
- (14) Appuyez sur la touche **[RESTART]**.
- (15) L'imprimante est en attente.
- (16) Envoyez une impression depuis le PC.

NOTES:

1. Si la touche **[PAUSE]** n'est pas appuyée pendant plus de 3 secondes, l'analyse n'est pas bonne.
2. Si la touche **[PAUSE]** est relâchée avant que les 2 étiquettes ne soient sorties, l'analyse n'est pas bonne. Dans ce cas, répétez l'opération.
3. Tant que la tête est levée, la touche **[PAUSE]** n'a aucun effet.
4. Les erreurs Fin de Papier et Erreur massicot ne sont pas détectées durant l'analyse.
5. La sélection de la cellule par transparence 2 pour l'avance d'étiquette ou l'impression assurent une bonne détection de la position du début d'impression, même pour des étiquettes pré-imprimées.
6. Si malgré ces réglages le papier n'est pas correctement positionné, Il faut ajuster le contraste dans la cellule dans le menu système. Après, refaites une analyse. Assurez vous que la cellule échenillage 2 est bien sélectionnée par les commandes d'impression.

11. DEPISTAGE DES PANNES

ATTENTION!

Notre premier souci est de vous donner entière satisfaction et un meilleur service. S'il y avait, malgré tout, un problème de fonctionnement de cette imprimante, veuillez vérifier les points suivants avant de faire appel au service après-vente. Ces messages apparaissent sur l'afficheur du panneau de contrôle. Mettre l'imprimante hors tension et contacter votre service après vente TOSHIBA TEC.

Message	Problème	Solution
PB. PAPIER ****	<ol style="list-style-type: none"> 1. Le papier n'est pas placé correctement. 2. Le papier bourre dans l'imprimante et ne sort pas librement. 3. Le papier en place ne correspond pas au choix de la cellule. 4. La position de la cellule n'est pas bonne. 5. La taille du papier est différente de celle indiquée par le logiciel. 6. La cellule ne détecte pas une zone pré-imprimée par rapport à l'échenillage. 	<ol style="list-style-type: none"> 1. Replacer le papier. → Appuyer sur la touche [RESTART]. 2. Enlever le papier qui bourre et re-placer le papier correctement. → Appuyer sur la touche [RESTART]. 3. Mettre l'imprimante hors tension et l'allumer, sélectionner la bonne cellule suivant le papier. → Appuyer sur FEED. 4. Placer le papier correctement. → Appuyer sur la touche [RESTART]. 5. Mettre l'imprimante hors tension et l'allumer, indiquer la taille du papier. → Appuyer sur FEED. 6. Fixer l'analyse du papier selon le point 10-4. Mettre l'imprimante hors tension et contacter votre service après vente TOSHIBA TEC.
TETE OUVERTE ****	L'imprimante tente d'imprimer une étiquette alors que la tête est ouverte.	Refermer la tête → Appuyer sur la touche [RESTART] .
FIN DE PAPIER ****	Il n'y a plus de papier.	Mettre un nouveau rouleau en place. → Appuyer sur la touche [RESTART] .
FIN DE RUBAN ****	Il n'y a plus de ruban.	Mettre un nouveau ruban en place. → Appuyer sur la touche [RESTART] .
ERR. REMBOB. ****	Il y a trop de papier sur le rembobineur.	Retirer le papier. Appuyer sur la touche [RESTART] .

Message	Problème	Solution
TETE TROP CHAUDE	La tête d'impression est trop chaude.	Mettre l'imprimante hors tension et attendre que la tête refroidisse.
ERREUR TETE	Ce message est affiché si vous envoyez la commande de contrôle de tête ([ESC] HD001 [LF] [NUL]) et que la tête a des éléments défectueux.	<ol style="list-style-type: none"> 1. Relancer l'impression en pressant sur [RESTART]. 2. Changer la tête. Appeler votre service après vente TOSHIBA TEC.
ERREUR DE RUBAN ****	Il y a un problème avec la mécanisme de ruban.	Mettre l'imprimante hors tension et contacter votre service après vente TOSHIBA TEC.
PROBLEME CUTTER ****	Il y a un bourrage dans le système de coupe.	<p>Enlever le papier qui bourre et remettre le papier correctement.</p> <p>➔ Appuyer sur la touche [RESTART].</p> <p>Mettre l'imprimante hors tension et contacter votre service après vente TOSHIBA TEC.</p>
ERREUR MEMOIRE FLASH	Il y a eu une erreur pendant l'écriture dans la carte mémoire FLASH.	<ol style="list-style-type: none"> 1. Mettre l'imprimante hors tension et réinsérer la carte. 2. Changer de carte mémoire. 3. Mettre l'imprimante hors tension et contacter votre service après vente TOSHIBA TEC.
ERREUR DE FORMAT	Il y a eu une erreur pendant le formatage de la carte mémoire FLASH.	<ol style="list-style-type: none"> 1. Mettre l'imprimante hors tension et réinsérer la carte. 2. Changer de carte mémoire. 3. Mettre l'imprimante hors tension et contacter votre service après vente TOSHIBA TEC.
MEMOIRE INSUFFISANTE	Il n'y a pas assez de place dans la carte mémoire.	Remplacez la carte avec une nouvelle. Renvoyez les données depuis le début. (Seules les cartes 1MB et 4MB sont utilisables.)
ERREUR COMMUNICATION	Une erreur est intervenue pendant la transmission série (RS-232C).	<p>Mettre l'imprimante hors tension. Tester à nouveau ou appuyer sur la touche [RESTART].</p> <p>➔ Contacter votre service après vente TOSHIBA TEC si nécessaire.</p>

Message	Problème	Solution
Example) PC001; 0A00, Erreur de syntaxe 0300, 2, 2	Lors d'une erreur de syntaxe, l'afficheur vous indique la ligne en cause sur 20 caractères.	Corriger votre application.
Autres messages	Problèmes internes.	Mettre l'imprimante hors tension puis rallumer. Si le problème persiste, contacter votre service après vente TOSHIBA TEC.
<p>NOTE: Si votre erreur n'est pas annulée par l'appui de la touche [RESTART], mettre l'imprimante hors tension et rallumer. Dans ce cas, les données transmises sont perdues.</p> <p>**** Signifie le nombre d'impression restant à effectuer.</p>		

Problème	Solution
Pas d'impression.	<ol style="list-style-type: none"> 1. Vérifier si le papier ou le ruban est chargé correctement. 2. Vérifier si le bloc de tête est positionné correctement. 3. Vérifier si le câble d'interface est raccordé correctement.
Des points n'apparaissent pas à l'impression.	Certains points de la tête sont défectueux. → Nettoyer la tête d'impression. Contacter votre service après vente TOSHIBA TEC si nécessaire.
Impression pas nette (ou floue).	<ol style="list-style-type: none"> 1. Tête d'impression encrassée → Nettoyer la tête d'impression. 2. Ruban défectueux. → Mettre un nouveau ruban. 3. Mauvais type de papier pour l'impression. → Changer de type de papier.
L'imprimante ne se met pas sous tension.	<ol style="list-style-type: none"> 1. Brancher la fiche d'alimentation à fond sur la prise secteur. 2. Vérifier le coupe circuit. 3. Vérifier si la prise secteur est alimentée. (Vérifier à l'aide d'un autre appareil électrique.) Contacter votre service après vente TOSHIBA TEC si nécessaire.
Pas d'action du couteau.	Vérifier si l'imprimante est sous tension. Contacter votre service après vente TOSHIBA TEC si nécessaire.
Le bord de découpe de papier n'est pas net.	<ol style="list-style-type: none"> 1. Nettoyer les lames. 2. Les lames sont usées. → Contacter votre service après vente TOSHIBA TEC.

TEC

TEC Thermo-/Thermotransfer-Drucker

B-570-QP SERIES

Bedienungsanleitung

Zusammenfassung sicherheitsregeln

Sicherheit bei der Bedienung sowie bei Wartungsarbeiten am Geräte hat oberste Priorität. Notwendige Vorsichts- und Warnhinweise für eine sichere Handhabung sind in diesem Handbuch enthalten. All Vorsichts- bzw. Warnhinweise in diesem Handbuch sollten vor einer Bedienung oder Wartung sorgfältig gelesen und befolgt werden.

Versuchen Sie nicht selber den Drucker zu reparieren oder zu modifizieren. Wenn ein Fehler auftritt und dieser nicht durch die in diesem Handbuch beschriebenen Maßnahmen behoben werden kann, schalten Sie das Gerät aus, ziehen Sie den Stecker und verständigen Sie Ihren TOSHIBA TEC Vertragshändler.

Bedeutung der Symbole



Dieses Symbol weist auf Gefahren hin (einschließlich Warnungen). Einzelne Warnungsinhalte werden innerhalb des \triangle Symbols dargestellt. (Das linke Symbol bedeutet eine allgemeine Warnung.)



Dieses Symbol weist auf verbotene Aktionen hin (verbotene Punkte). Einzelne Verbotsinhalte werden innerhalb oder in der Nähe des \circ Symbols dargestellt. (Das linke Symbol bedeutet ein "Zerlegungsverbot".)



Dieses Symbol weist auf durchzuführende Aktionen hin. Einzelne Anweisungen werden innerhalb des \bullet Symbols dargestellt. (Das linke Symbol bedeutet "Netzstecker von Netzsteckdose abziehen".)

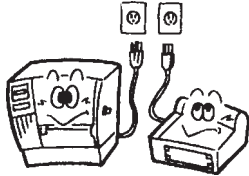


WARNUNG

Weist darauf hin, daß bei unsachgemäßer Handhabung der Maschinen und Mißachtung dieses Hinweises **Lebensgefahr** oder die Gefahr **schwerer Körperverletzungen** besteht.



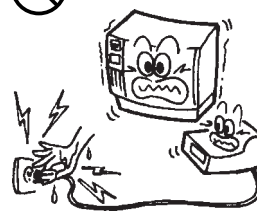
Jede andere als die vorgeschriebene Netzspannung (AV) ist verboten.



■ Benutzen Sie keine anderen Spannungen als die auf dem Typenschild angegebene Netzspannung (AC), weil sonst **Feuer** oder **elektrische Schläge** verursacht werden können.



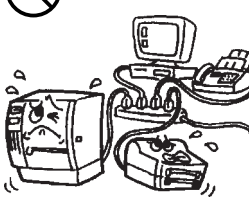
Verboten



■ Unterlassen Sie das Einstecken oder Abziehen des Netzsteckers mit nassen Händen, weil dies zu **elektrischen Schlägen** führen kann.



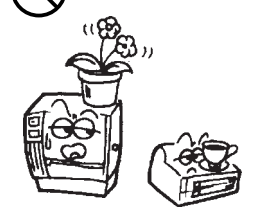
Verboten



■ Falls die Maschinen dieselbe Stromquelle mit irgendwelchen anderen Elektrogeräten teilen, die einen hohen Stromverbrauch haben, kann es zu Spannungsschwankungen kommen, wenn diese Geräte in Betrieb genommen werden. Schließen Sie die Maschinen unbedingt an eine eigene Stromquelle an, da es anderenfalls zu **Störungen** der Maschinen kommen kann.



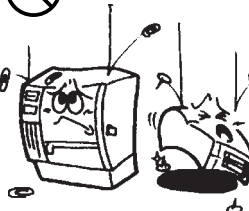
Verboten



■ Stellen Sie keine Metallgegenstände oder mit Wasser gefüllte Behälter, wie z.B. Blumenvasen, Blumentöpfe, Becher usw., auf die Maschinen. Falls Metallgegenstände oder verschüttete Flüssigkeiten in die Maschinen gelangen, besteht die Gefahr von **Feuer** oder **elektrischen Schlägen**.



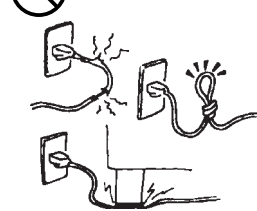
Verboten



■ Achten Sie darauf, daß keine Metallgegenstände, brennbare Materialien oder sonstige Fremdkörper durch die Ventilationsöffnungen in die Maschinen gesteckt oder fallengelassen werden, weil dadurch **Feuer** oder **elektrische Schläge** verursacht werden können.



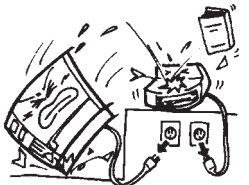
Verboten



■ Die Netzkabel dürfen nicht verkratzt, beschädigt oder verändert werden. Außerdem dürfen sie nicht durch schwere Gegenstände belastet, gezogen oder geknickt werden, weil dadurch **Feuer** oder **elektrische Schläge** verursacht werden können.



Netzstecker abziehen.






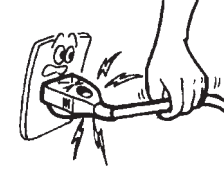

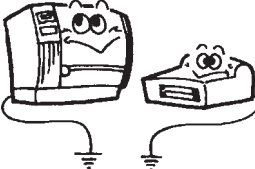

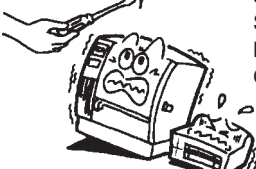
■ Falls die Maschinen fallengelassen oder ihre Gehäuse beschädigt werden, schalten Sie zuerst die Netzschalter aus, und ziehen Sie die Netzstecker von den Steckdosen ab, bevor Sie sich an Ihren örtlichen TOSHIBA TEC Fachhändler wenden. Fortgesetzter Betrieb der Maschine unter dieser Bedingung kann zu **Feuer** oder **elektrischen Schlägen** führen.



Netzstecker abziehen.



■ Fortgesetzter Betrieb der Maschinen unter abnormen Bedingungen, z.B. wenn die Maschinen Rauch oder ungewöhnliche Gerüche erzeugen, kann zu **Feuer** oder **elektrischen Schlägen** führen. In solchen Fällen sind sofort die Netzschalter auszuschalten und die Netzstecker von den Steckdosen abziehen. Wenden Sie sich dann an Ihren örtlichen TOSHIBA TEC Fachhändler.

 <p>Netzstecker abziehen.</p>  <p>■ Falls Fremdkörper (Metallteile, Wasser, Flüssigkeiten) in die Maschinen gelangen, schalten Sie zuerst die Netzschalter aus, und ziehen Sie die Netzstecker von den Steckdosen ab, bevor Sie sich an Ihren örtlichen TOSHIBA TEC Fachhändler wenden. Fortgesetzter Betrieb der Maschine unter dieser Bedingung kann zu Feuer oder elektrischen Schlägen führen.</p>	 <p>Netzstecker abziehen.</p>  <p>■ Beim Abziehen der Netzkabel darf nur am Stecker gezogen werden. Durch Ziehen am Kabel können die internen Drähte freigelegt und Feuer oder elektrische Schläge verursacht werden.</p>
 <p>Erdleiter anschließen.</p>  <p>■ Stellen Sie eine korrekte Erdung sicher! Auch Verlängerungskabel müssen geerdet sein. Sollte dies nicht der Fall sein, kann dies einen Kurzschluß oder Feuer verursachen.</p>	 <p>Nicht zerlegen.</p>  <p>■ Versuchen Sie niemals, das Gerät selber aufzuschrauben, zu reparieren oder umzubauen. Andernfalls könnten Sie durch hohe Spannungen, heiße Baugruppen oder scharfe Kanten im Gerät verletzt werden.</p>



VORSICHT

Weist darauf hin, daß bei unsachgemäßer Handhabung der Maschinen und Mißachtung dieses Hinweises die Gefahr von **Körperverletzungen** oder **Sachbeschädigung** besteht.

Vorsichtsmaßnahmen

Die folgenden Vorsichtsmaßnahmen helfen sicherzustellen, daß das Gerät einwandfrei funktioniert.

- Versuchen Sie folgendes zu verhindern:
 - * Temperatur ist außerhalb der Spezifikationen
 - * Direktes Sonnenlicht
 - * Hohe Luftfeuchtigkeit
 - * Starke Vibrationen
 - * Mehrfachsteckdose
 - * Staub
- Reinigen Sie das Gehäuse mit einem trockenen oder mit einem Reinigungsmittel ge- tränktem Tuch. Verwenden Sie niemals Verdünnern oder andere chemische Lösungsmittel zur Reinigung der Plastikteile.
- Verwenden Sie nur TOSHIBA TEC Original Etikettenmaterial und Farbbänder, das den Spezifikationen von TOSHIBA TEC entspricht.
- Etiketten, Etikettenmaterial und Farbbänder sollten so gelagert werden, daß sie vor direktem Sonnenlicht, hohen Temperaturen, Feuchtigkeit, Staub und Gas geschützt sind.
- Stellen Sie sicher, daß der Drucker auf einer ebenen Fläche steht.
- Im Fehlerfall übernehmen wir keine Garantie für Daten die sich im Speicher befanden.
- Vermeiden Sie einen gemeinsamen Stromanschluß mit starken Verbrauchern oder mit Geräten, die zu Netzschwankungen führen können.
- Ziehen Sie immer den Netzstecker bei Reinigungs- und Wartungsarbeiten im Inneren der Maschine.
- Halten Sie Ihre Arbeitsumgebung frei von statischen Aufladungen.
- Stellen Sie keine schweren Gegenstände auf die Maschinen, weil diese Gegenstände durch Umkippen oder Herunterfallen **Verletzungen** verursachen können.
- Die Ventilationsöffnungen der Maschinen dürfen nicht blockiert werden, weil sich sonst ein Wärmestau im Inneren der Maschinen bilden kann, der zu einem **Feuer** führen kann.
- Stützen Sie sich niemals auf die Maschine. Sie könnte sonst herunterfallen und Sie verletzen oder selbst beschädigt werden.
- Das Messer des Druckers ist sehr scharf, daher ist HÖCHSTE VORSICHT geboten, um Verletzungen zu vermeiden.
- Ziehen Sie den Netzstecker, wenn Sie den Drucker über einen längeren Zeitraum nicht nutzen.

Wartungshinweise

- Nutzen Sie unsere Wartungsangebote.
Nach dem Kauf eines Druckers sollten Sie diesen regelmäßig mindestens einmal pro Jahr von Ihrem TOSHIBA TEC Vertragshändler fachmännisch reinigen lassen. Ansonsten könnten Staubpartikel eine Fehlfunktion oder sogar Feuer auslösen.
- Unser Wartungsservice bietet periodische Check und vollzieht notwendige Arbeiten, um die Qualität Ihres Produktes zu erhalten sowie Unfällen vorzubeugen.
Nähere Informationen erhalten Sie von Ihrem TOSHIBA TEC Vertragshändler.
- Bei Einsatz von Insektiziden und anderen Chemikalien:
Setzen Sie den Drucker nicht Insektiziden oder anderen flüchtigen Lösungsmitteln aus, da diese das Gehäuse oder andere Teile angreifen und die Lackierung beschädigen.

INHALTSVERZEICHNIS

	Seite
1. EINFÜHRUNG	G1- 1
1.1 Modellbezeichnung	G1- 1
1.2 Beipack	G1- 1
2. SPEZIFIKATIONEN	G2- 1
2.1 Drucker	G2- 1
2.2 Optionen	G2- 1
2.3 Papier	G2- 2
2.4 Farbband	G2- 2
3. ÜBERBLICK	G3- 1
3.1 Vorder-/Rückseite	G3- 1
3.2 Bedienfeld	G3- 1
4. DIP SWITCH FUNKTIONEN	G4- 1
5. INSTALLATION DES DRUCKERS	G5- 1
5.1 Anschluss der Kabel	G5- 1
5.2 Lüfterfilter installieren	G5- 1
6. EINSETZEN DES PAPIERS	G6- 1
7. EINSETZEN DES FARBBANDES	G7- 1
8. EINSETZEN DER FLASH MEMORY KARTE (Option)	G8- 1
9. HINWEISE ZUM PAPIER UND FARBBAND	G9- 1
10. WARTUNG	G10- 1
10.1 Reinigen	G10- 1
10.2 Gehäuse	G10- 2
10.3 Beseitigung eines Papierstaus	G10- 2
10.4 Sensoranpassung für vorgedruckte Etiketten	G10- 4
11. FEHLERBEHEBUNG	G11- 1

ACHTUNG

1. *Dieses Handbuch darf ohne vorherige schriftliche Genehmigung von TOSHIBA TEC weder ganz noch auszugsweise kopiert werden.*
2. *Wir behalten uns vor, den Inhalt des Handbuchs ohne Vorankündigung zu ändern.*
3. *Wenn Sie weitergehende Fragen haben oder Teile dieses Handbuchs nicht verständlich sein sollten, wenden Sie sich bitte an Ihren TOSHIBA TEC Fachhändler oder an die zuständige TOSHIBA TEC Landesgesellschaft.*

1. EINFÜHRUNG

Vielen Dank, daß Sie sich für den TEC Drucker B-570 entschieden haben. Dieser Drucker vereinigt hohe Auflösung (12 Punkte/mm \geq 306 DPI) mit hoher Druckgeschwindigkeit und ist auch in industrieller Umgebung einsetzbar, da das Papier im Drucker Platz findet.

Automatische Farbband-Optimierung, interner Aufwickler und Spendemodul sind als Standard enthalten. Für besonders zeitkritische Anwendungen steht optional eine Hochgeschwindigkeits-PC-Schnittstelle zur Verfügung. Außerdem kann der Drucker mit einem Messer ausgerüstet werden.

Dieses Handbuch enthält Informationen zum Betrieb und zur Wartung des Druckers. Bitte lesen Sie es sorgfältig, um die besten Druckergebnisse zu erzielen. Der Drucker wurde so konzipiert, daß bei Fehlbedienungen keine Gefahr besteht, den Drucker zu beschädigen. Benutzen Sie dieses Handbuch, wenn Sie Fragen zum Drucker haben oder irgendwelche Probleme auftreten. Bewahren Sie dieses Handbuch gut auf.

WARNING!

This is a Class A product. In a domestic environment this product may cause radio interference in which case the user may be required to take adequate measures.

ACHTUNG:

Greifen Sie NIE in den Drucker während des Öffnens oder Schließens, so vermeiden Sie Verletzungen.

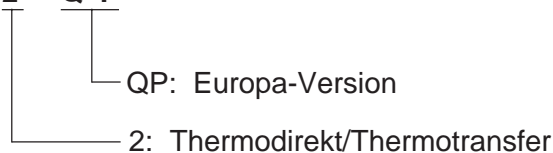
ACHTUNG:

Fassen Sie keine beweglichen Teile an. Um zu verhindern, daß finger, Schmuck, Kleidungsstücke oder ähnliches von den beweglichen Teilen erfaßt werden, schalten Sie das Gerät IMMER "AUS".

1.1 Modellbezeichnung

- B-572-QP (Gehäuse)
(Typenschild)

B - 5 7 2 - Q P

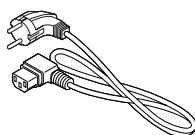


1.2 Beipack

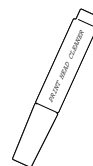
Bediener-Handbuch
(EM1-33031)



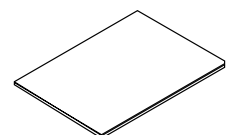
Netzkabel



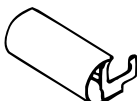
Kopfreiniger
(24089500013)



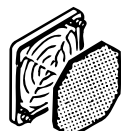
Auspack-Hinweise



Umlenklech
(FMBD0034501)



Lüfterfilter
(FMBB0036801)



Schraube
(SM-4x6B)



2. SPEZIFIKATIONEN

2.1 Drucker

ITEM	B-570-QP
Netzspannung	AC 220V ~ 240V +10%, -15%, 50Hz, +2Hz, -2Hz
Leistungsaufnahme	198W maximum (Standby: 51W maximum)
Temperaturbereich	5°C ~ 40°C
Luftfeuchte	25% ~ 85% relative Luftfeuchte, nicht kondensierend
Druckkopf	Dünnschicht-Thermo-Druckkopf, 12 Elemente/mm, "Near Edge" Typ
Druckmethode	Thermodirekt / Thermotransfer
Druckgeschwindigkeit	76.2 mm/Sek., 127 mm/Sek., 203.2 mm/Sek.
Max. Druckbreite	127.5 mm
Betriebsarten	kontinuierlich, spenden, schneiden (schneiden nur, wenn das optionale Messer installiert ist)
Anzeigen	LCD-Display (1zeilig mit 20 Zeichen), 3 LED's
Abmessungen	291 mm (B) x 460 mm (T) x 308 mm (H)
Gewicht	19 kg
Barcode-Formate	JAN8, JAN13, EAN8, EAN8 + 2, EAN8 + 5, EAN13, EAN13 + 2, EAN13 + 5, UPC-E, UPC-E + 2, UPC-E + 5, UPC-A, UPC-A + 2, UPC-A + 5, MSI, ITF, NW-7, CODE39, CODE93, CODE128, EAN128
Schriftarten	PDF417, DATA MATRIX, Industrial 2 to 5 Times Roman (6 Arten), Helvetica (6 Arten), Presentation (1), Letter Gothic (1), Prestige Elite (2 Arten), Courier (2 Arten), OCR (2 Arten), Writable Characters (40 Arten), Outline Font (1)
Drehung	0°, 90°, 180°, 270° (Zeichen und Barcodes)
Schnittstellen Standard	Serielle Schnittstelle (RS-232C) Parallele Schnittstelle (Centronics) Start-Stopp-Schnittstelle
Optional	PCMCIA Schnittstelle für Flash Memory Karte Hochgeschwindigkeits-PC-Schnittstelle (ISA-BUS)

2.2 Optionen

Bezeichnung	Modellname	Anwendung	Source
Messer	B-4203-QM	Schwingmesser für Anhänger + Etiketten	Hinweis 1.
Hochgeschwindigkeits-PC-Schnittstelle	B-4800-PC-QM	Besonders geeignet, wenn der gesamte Etiketteninhalt als Grafik übermittelt wird.	Hinweis 1.
Papierführung Leporello	B-4903-FF-QM	Papierführung für Leporello Material	Hinweis 1.
D-RAM PC Board	FMBC0067801	2 MB Speichererweiterung	Hinweis 2.
Flash Memory Karte	—————	Speicherkarte (1 MB und 4 MB) zum Hinterlegen von Logos, Schriftarten, oder Formatdaten.	Hinweis 3.

- Hinweis:**
- Bitte wenden Sie sich an ihren nächsten TOSHIBA TEC Fachhändler:
 - Erhältlich bei allen TOSHIBA TEC Fachhändlern.
 - Nur eine der auf Seite 8-1 spezifizierten Flash Memory Karten gewährleistet einen einwandfreien Funktion.

2.3 Papier

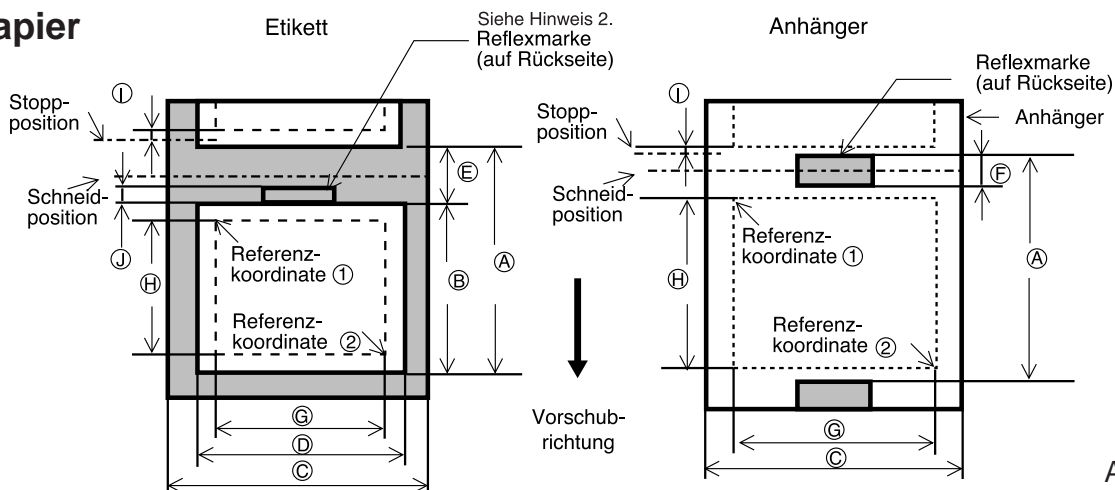


Abb. 2-1

[Unidad: mm]

Modo de emisión		Continuo	Dispensado automático	Con cortador	
Especificación					
A : Espacio entre finales de etiquetas/cartulinas		10.0 ~ 999.0	25.4 ~ 999.0	Etiqueta: 38 ~ 999.0 Cartulina: 25.4 ~ 999.0	
B : Longitud de la etiqueta		8.0 ~ 997.0	23.4 ~ 997.0	25.0 ~ 993.0	
C : Ancho del papel porta etiquetas/cartulina		50.8 ~ 140.0			
D : Ancho de la etiqueta		47.8 ~ 137.0			
E : Espacio entre etiquetas		2.0 ~ 20.0	2.0 ~ 20.0	6.0 ~ 20.0	
F : Longitud de la marca negra (Cartulina)		2.0 ~ 10.0			
G : Ancho de la zona efectiva de impresión		10.0 ~ 128.0			
H : Longitud de la zona efectiva de impresión	Etiqueta	Estandar	6.0 ~ 298.6	21.4 ~ 298.6	23.0 ~ 298.6
		Max. módulo de memoria	6.0 ~ 995.0	21.4 ~ 995.0	23.0 ~ 991.0
	Cartulina	Estandar	8.0 ~ 298.6	23.4 ~ 298.6	23.4 ~ 298.6
		Max. módulo de memoria	8.0 ~ 997.0	23.4 ~ 997.0	23.4 ~ 997.0
I : Velocidad de impresión arriba/abajo		1.0			
J : Longitud de la marca negra (Etiqueta)		Referido a la siguiente NOTA 2.			
Longitud max. de impresión	Estandar	149.3			
	Max. módulo de memoria	661.3			
Diámetro de salida		ø200 Max.			
Espesor	Etiqueta	0.13 ~ 0.17			
	Cartulina	0.15 ~ 0.29			

- HINWEISE:**
1. Alle weiteren Verbrauchsmaterial-Spezifikationen sind unverändert.
 2. Bitte beachten Sie folgende Anforderungen bei der Anbringung von Reflexmarken auf Lhr Etikettenmaterial.
Sollte der Zwischenraum kleiner als 4 mm sein, dann sollte die Reflexmarke etwas größer als 4 mm sein.
Sollte der Zwischenraum größer als 4 mm sein, dann sollte die Reflexmarke den Zwischenraum nicht mehr als 4 mm überlappen.

2.4 Farbband

Typ	Rolle
Breite	68 mm ~ 134 mm
Länge	600 m
Außendurchmes.	ø90 mm (max.)

- HINWEISE:**
1. "On the Fly" Drucken heißt, daß der Drucker während des Drucks bereits das folgende Etikett im Speicher aufbereitet und druckt, ohne anzuhalten.
 2. Um beste Druckqualität und lange Lebensdauer des Druckkopfes sicherzustellen, empfehlen wir den ausschließlichen Gebrauch von Original TOSHIBA TEC Farbbändern und TOSHIBA TEC geprüften Papieren.
 3. Im Schneidmodus bitte nur Etiketten verwenden, deren Etikettenlänge B plus einer halben Zwischenraumlänge E, größer 35 mm sind.
 4. Wenn das Etikett auf dem internen Aufwickler gewickelt wird, sollte der max. Außenrollendurchmesser 180 mm betragen.
 5. Es besteht die Möglichkeit, wenn Sie ein rauhes Etikett oder ein Kartonmaterial mit Farbbandoptimierung einsetzen, daß es zu einem schlechten Druckergebnis kommen kann.

3. ÜBERBLICK

3.1 Vorder-/Rückseite

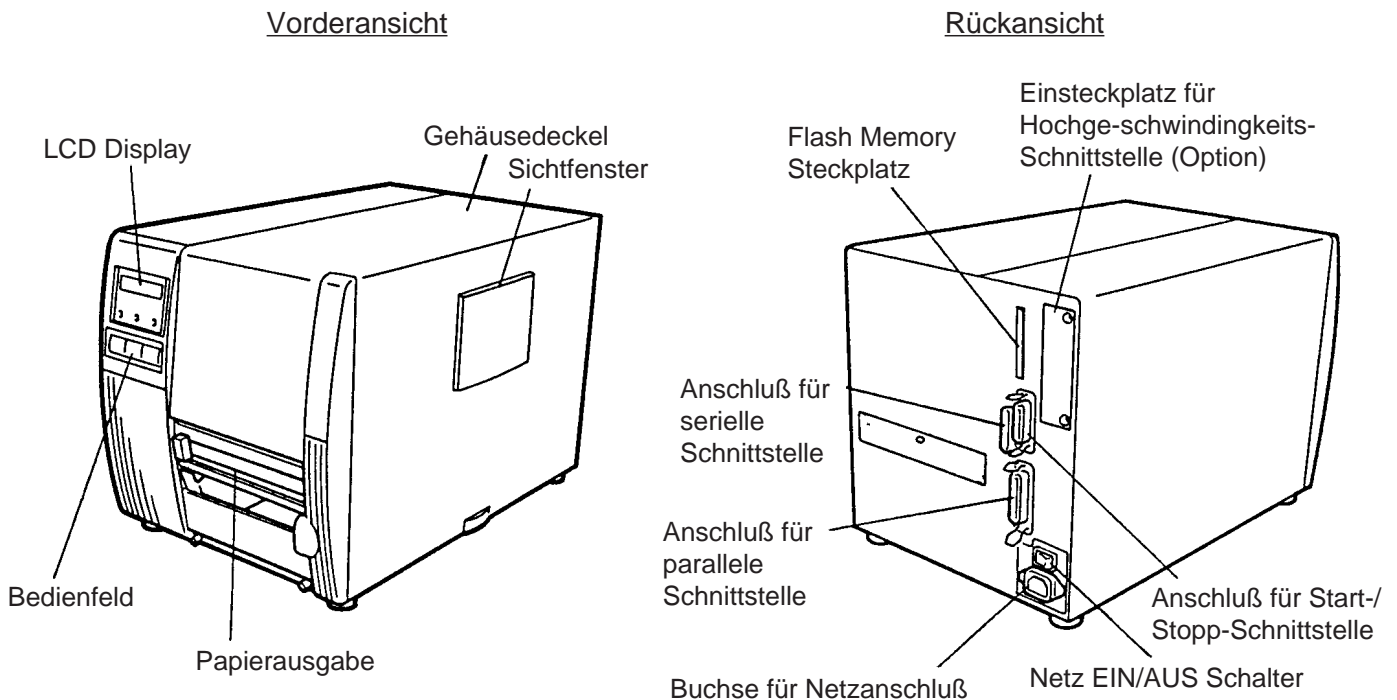


Abb. 3-1

3.2 Bedienfeld

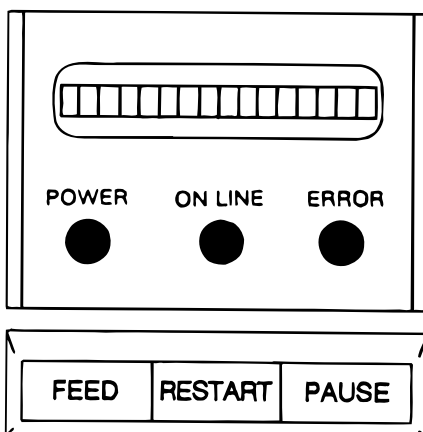


Abb. 3-2

LCD-DISPLAY

Zeigt Fehler- und Zustandsmeldungen (Sprache über DIP-Schalter selektierbar). Zeigt nach Einschalten mit "ON LINE", daß der Drucker betriebsbereit ist.

POWER LED (grün)

Ist immer an, wenn der Drucker eingeschaltet ist.

ON LINE LED (grün)

- 1) Blinkt während der Kommunikation.
- 2) Ist an während des Drucks.

ERROR LED (rot)

Zeigt an, daß ein Fehler, z.B. Papierende, Farbbandende, Übertragungsfehler etc., aufgetreten ist. Weitere Information steht dann im LCD-Display.

FEED Taste

Papiervorschub

RESTART Taste

Hebt Fehler- oder Pausezustand auf. Wird ebenfalls bei Einstellung für vorgedrucktes Papier benötigt. (siehe hierzu Seite 10-4)

PAUSE Taste

Unterbricht den Druck. Im LCD Display erscheint "PAUSE" sowie die Anzahl der noch zu druckenden Etiketten. Wird ebenfalls bei Einstellung für vorgedrucktes Papier benötigt. (s. hierzu Seite 10-4)

4. DIP SWITCH FUNKTIONEN

Die DIP Switches befinden sich neben der Papierabwickelachse rechts.

ACHTUNG!

NETZ AUSSCHALTEN, bevor die Schalter verändert werden.

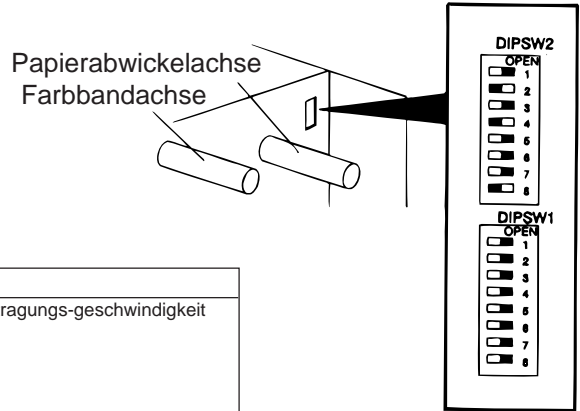


Abb. 4-1

(1) DIP SW 2

No.	ON/OFF		Funktion	
	1	2		
1	OFF	OFF	2400 BPS	Übertragungs-geschwindigkeit
	ON	ON	4800 BPS	
2	OFF	OFF	9600 BPS	
	ON	ON	19200 BPS	
3	OFF	OFF	1 bit	Stopp-Bits 1
	ON	ON	2 bits	
4	OFF	OFF	7 bits	Wortlänge
	ON	ON	8 bits	
5	OFF	OFF	ohne	Paritätsprüfung
	ON	ON	mit	
6	OFF	OFF	GERADE	Parität (wenn SW #5 auf ON.)
	ON	ON	UNGERADE	
7	OFF	OFF	XON/XOFF (Kein XON beim Einschalten) (Kein beim Ausschalten.)	Protokoll
	ON	OFF	READY/BUSY (DTR) XON (Kein XON beim Einschalten) XOFF (Kein beim Ausschalten.) READY/BUSY (RTS) XON (Kein XON beim Einschalten) XOFF (Kein beim Ausschalten.)	
8	OFF	ON	XON/XOFF + READY/BUSY XON (XON beim einschalten) XOFF (XOFF beim ausschalten)	
	ON	ON	XON/XOFF (XON beim Einschalten) (XOFF beim Ausschalten)	

(2) DIP SW 1

No.	ON/OFF			Funktion	
	2	3	4		
1	OFF	OFF	OFF	ohne	Autom. Farbband-optimierung
	ON	ON	ON	mit	
2	OFF	OFF	OFF	englisch	Gewünschte Sprache für Fehlermeldungen
	ON	OFF	OFF	deutsch	
	OFF	ON	OFF	französisch	
	ON	ON	OFF	flämisch	
4	OFF	OFF	ON	spanisch	
	ON	OFF	ON	japanisch	
	OFF	ON	ON	Italienisch	
5	ON	ON	ON	nicht benutzt	
	OFF	OFF	OFF	ohne	Automatischer Materialtransport nach einem Schnitt (siehe Seite 6-5)
ON	ON	ON	mit		
6	OFF	OFF	OFF	ohne	interner Aufwischer/anheben des Termokopfes in Funktion mit angebaute Messer Siehe Hinweis 2.
	ON	ON	ON	mit	
7	OFF	OFF	OFF	muß immer OFF sein.	
	ON	ON	ON	muß immer OFF sein.	
8	OFF	OFF	OFF	muß immer OFF sein.	
	ON	ON	ON	muß immer OFF sein.	

- HINWEIS:**
- Die unterlegten Positionen zeigen die Einstellung ab Werk.
 - Die Funktion des Dip switch #1-6 ist nur mit dem entsprechendem Zubehör gewährleistet.
 - Wollen Sie Ihr Datenprotokoll auf READY/BUSY (DTR) oder READY/BUSY (RTS) umstellen, bitte kontaktieren Sie Ihren TOSHIBA TEC Fachhändler.

5. INSTALLATION DES DRUCKERS

5.1 Anschluss der Kabel

ACHTUNG!

Den Netzschalter auf "AUS" = "0" stellen, bevor Sie Netzkabel oder andere Kabel einstecken.

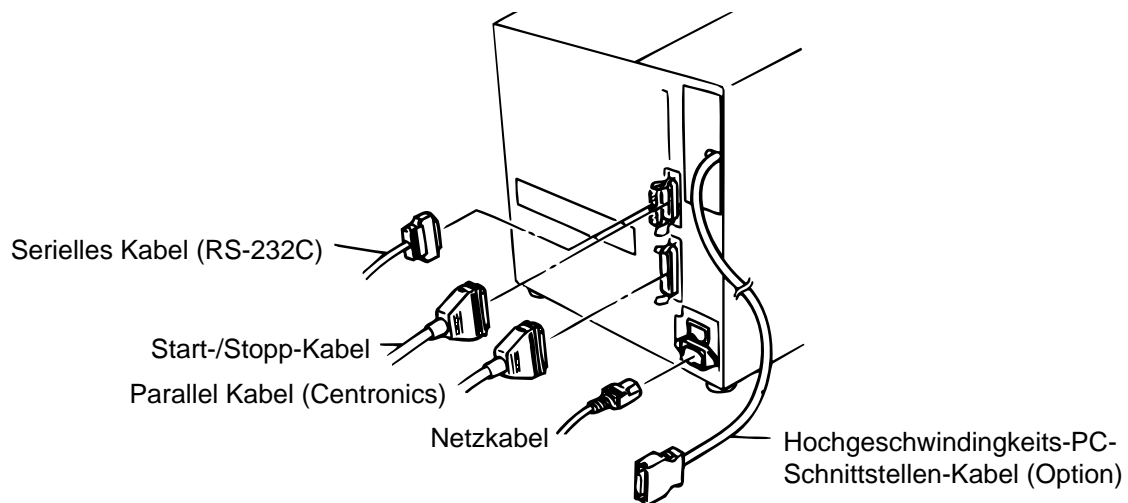


Abb. 5-1

5.2 Lüfterfilter installieren

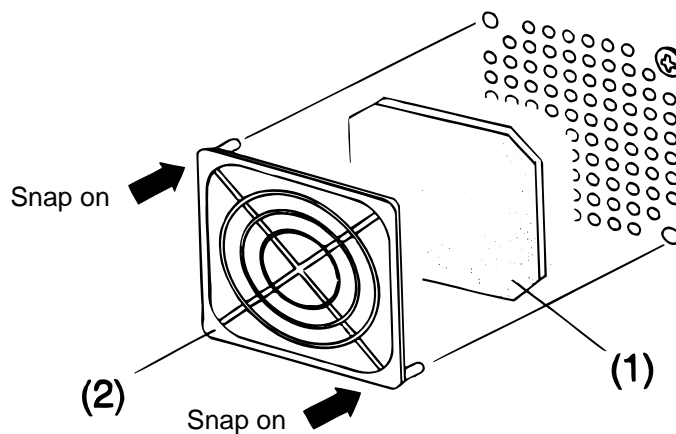


Abb. 5-2

Stellen Sie sicher, daß vor Gebrauch des Druckers der Filter installiert wird.

Der Lüfterfilter besteht aus 2 Teilen:

- (1) Filtermatte
- (2) Filterträger

Zur Installation legen Sie die Filtermatte einfach in den Filterträger und fixieren Sie diesen, wie in der Abbildung zu sehen, vor dem Lüfter.

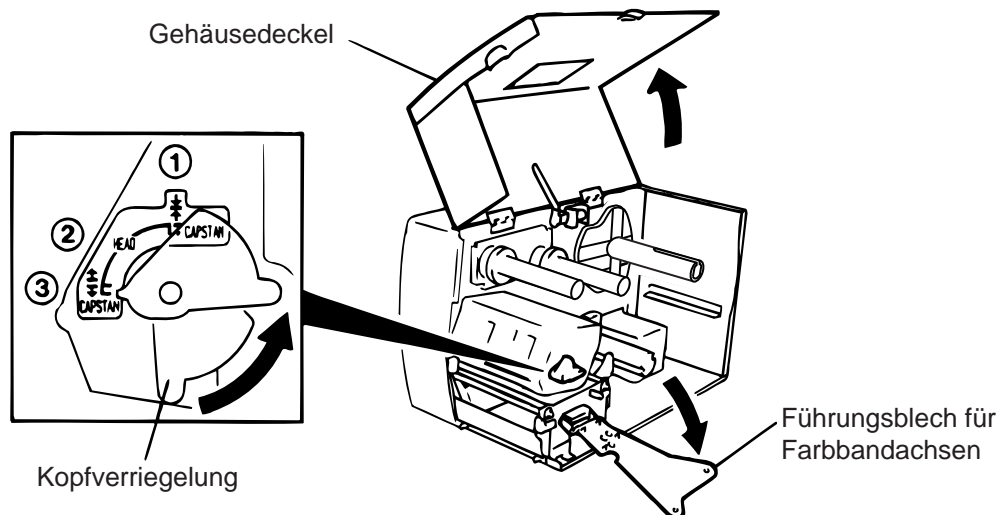
6. EINSETZEN DES PAPIERS

ACHTUNG!

1. Fassen Sie keine beweglichen Teile an. Um zu verhindern, daß Finger, Schmuck, Kleidungsstücke oder ähnliches von den beweglichen Teilen erfaßt werden, schalten Sie das Gerät **IMMER** "AUS".
2. Greifen Sie **NIE** in den Drucker während des Öffnens oder Schließens, so vermeiden Sie Verletzungen.

Der Drucker druckt sowohl Etiketten wie auch Karton (z.B. Warenanhänger).

1. Drucker ausschalten und Gehäusedeckel öffnen.
2. Durch Drehen der Kopfverriegelung nach links (auf Position ③) den Kopf abklappen und das Führungsblech für die Farbband-Achsen lösen.

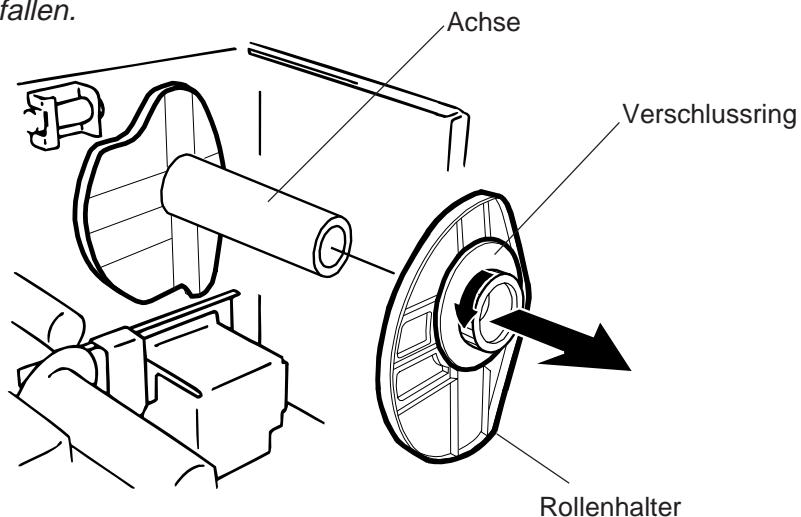


Add. 6-1

- HINWEISE:**
1. Die Kopfverriegelung hat 3 Positionen. In der Position ② wird nur der Kopf angehoben.
 2. Wenn die Kopfverriegelung ganz nach links (Pos. ③) gedreht wird, wird zusätzlich die Papierdruckrolle angehoben.
 3. Während des Drucks muß die Kopfverriegelung auf Position ① stehen. Nur dann sind Kopf und Papierdruckrolle in der richtigen Position.

3. Drehen Sie den Verschlussring entgegengesetzt dem Uhrzeigersinn und ziehen Sie den Rollenhalter vom Schaft herunter.

HINWEIS: Drehen Sie die Feststellschrauben nicht zu weit nach links, da sie ansonsten aus der Papierhalterung fallen.



G6-1

Add. 6-2

4. Schieben Sie nun die Materialrolle auf die Achse.
5. Führen Sie das Material über die Führungsschiene und ziehen Sie dann das Material bis zur Vorderkante des Druckers. Setzen Sie jetzt den anderen Rollenhalter auf die Achse, um die Rolle zu fixieren.
6. Schieben Sie den Rollenhalter mit der Führungsnase auf die Nut des Schaftes bis zum Anschlag an das Papier. Drehen Sie zum sichern des Papiers den Rollenhalter im Uhrzeigersinn. Das Papier wird automatisch in zentriert ausgerichtet.

HINWEIS: Überdrehen Sie nicht den Verschlussring des Rollenhalters.

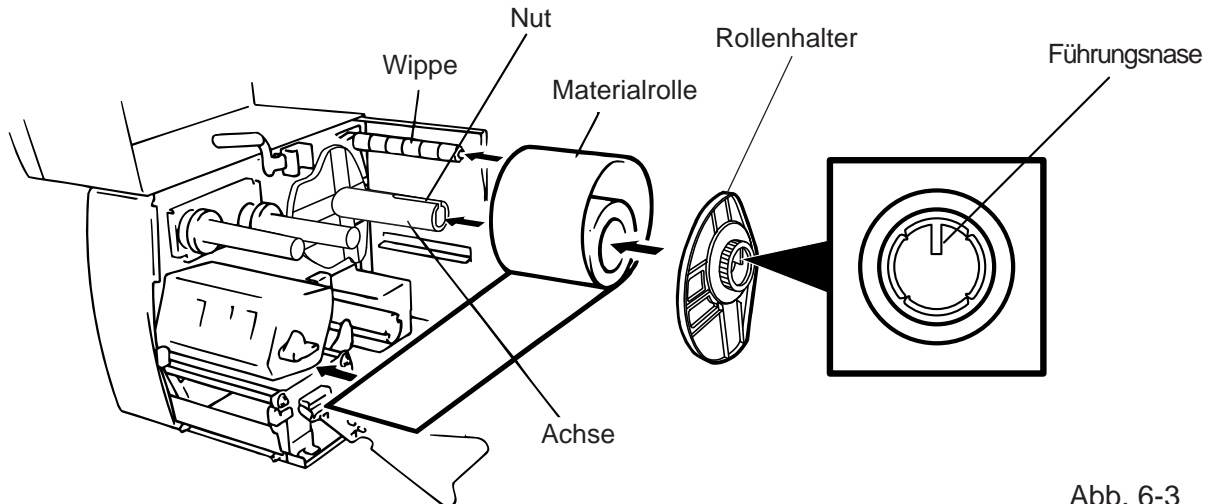


Abb. 6-3

7. Führen Sie das Material durch Papierhalterungen der Papierführung, justieren Sie die Papierführung und fixieren Sie die Position mit der Feststellschraube.
8. Prüfen Sie, ob das Material nun gerade durch den Drucker läuft. Das Papier soll sich immer in der Mitte des Druckkopfes befinden.

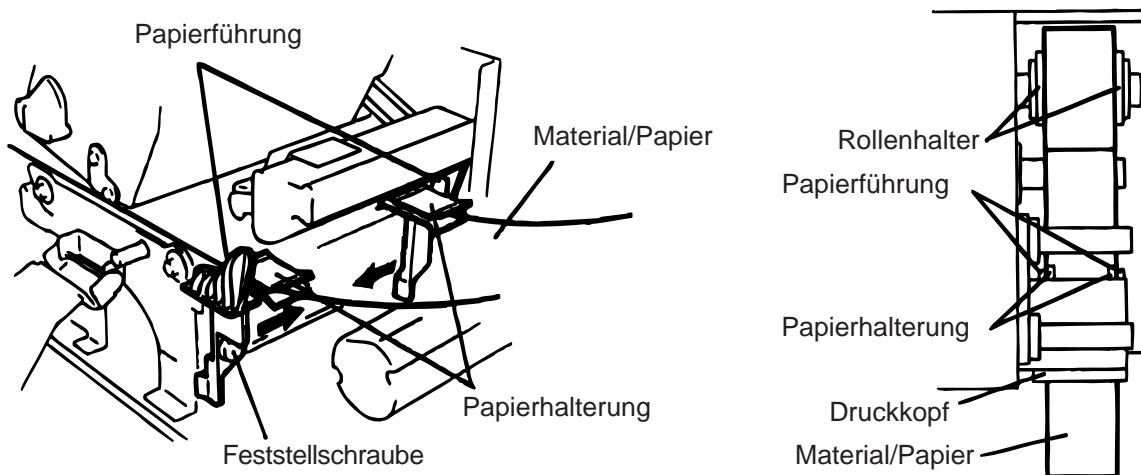


Abb. 6-4

HINWEIS: Wenn Sie Etikettenrollen mit Außenwicklung verwenden, entfernen Sie bitte die oberen Platten beider Papierhalterungen wie nachfolgend beschrieben. Falls Sie dies nicht tun, kann ein Papierstau auftreten.

Sollten Sie irgendwelche Fragen haben, nehmen Sie bitte mit Ihrem TOSHIBA TEC Fachhändler Kontakt auf.

■ Entfernung der oberen Platten der Papierhalterung von der Papierführung

- ① Entfernen Sie die zwei T-4x8 Schrauben, um die Papierführung vom Drucker zu lösen.

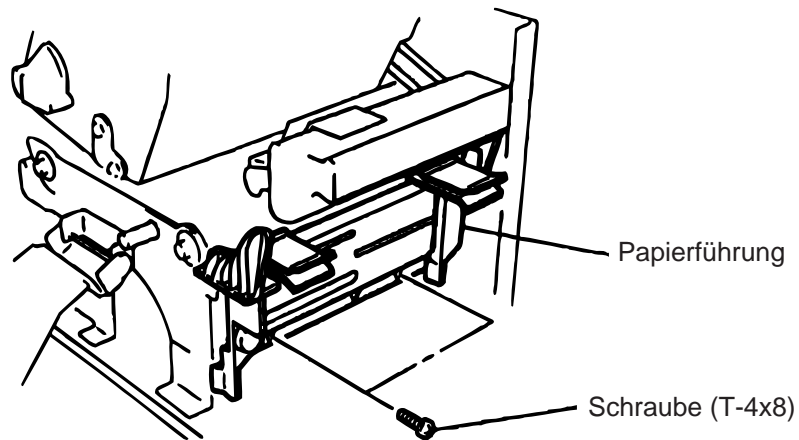


Abb. 6-5

- ② Entfernen Sie die Schraube SM-3x6 bzw. die Schraube SM-3x8, um die oberen Platten der Papierhalterung von der Papierführung zu lösen.

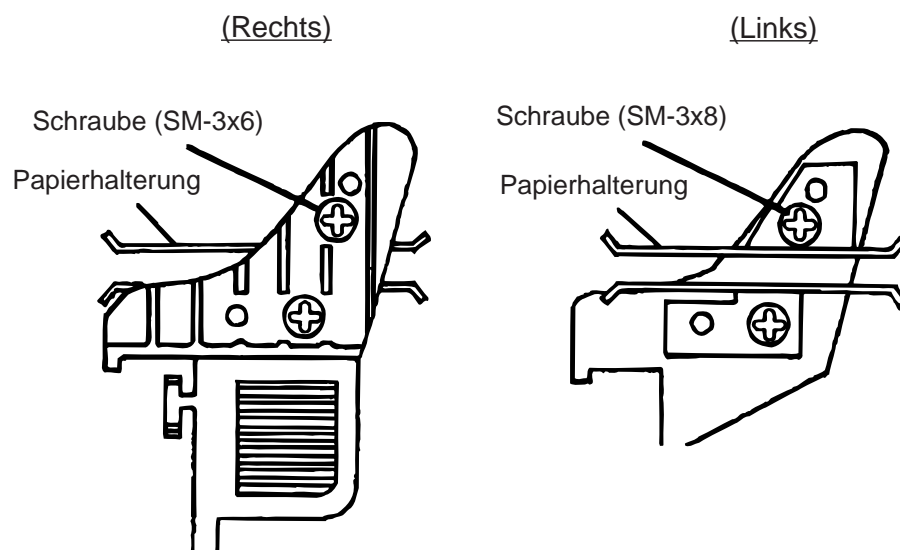


Abb. 6-6

- ③ Befestigen Sie die Papierführung wieder an der alten Position.

HINWEIS: Heben Sie die entfernten oberen Papierhalterungsplatten auf, da sie benötigt werden, wenn Etikettenrollen mit Innenwicklung benutzt werden.

9. Positionieren Sie jetzt den Reflexmarken-/Durchleuchtungs-Sensor durch Drehen des Einstellknopfes.

■ Einfache Positionierung des Reflexmarkensensors

- ① Ziehen Sie das Material zunächst ca. 500 mm aus dem Drucker und führen es mit der Unterseite nach oben unter dem Kopf zurück, bis Sie eine Reflexmarke sehen können.
- ② Justieren Sie nun den Reflexmarkensensor auf die Mitte der Marke (das hintere Loch zeigt die exakte Position des Sensors).

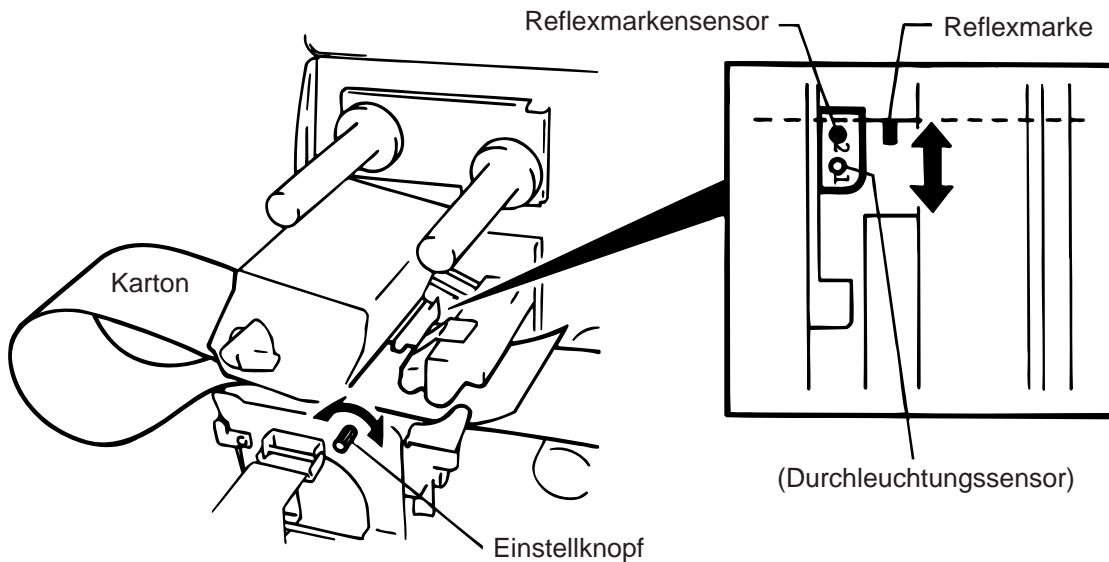


Abb. 6-7

HINWEIS: Wenn der Sensor nicht richtig positioniert ist, kann dies zur Fehleranzeige "Papierstau" führen.

■ Positionierung des Durchleuchtungssensors

- ① Positionieren Sie den Durchleuchtungssensor auf die Ausstanzung (das vordere Loch zeigt die exakte Position des Durchleuchtungssensors).

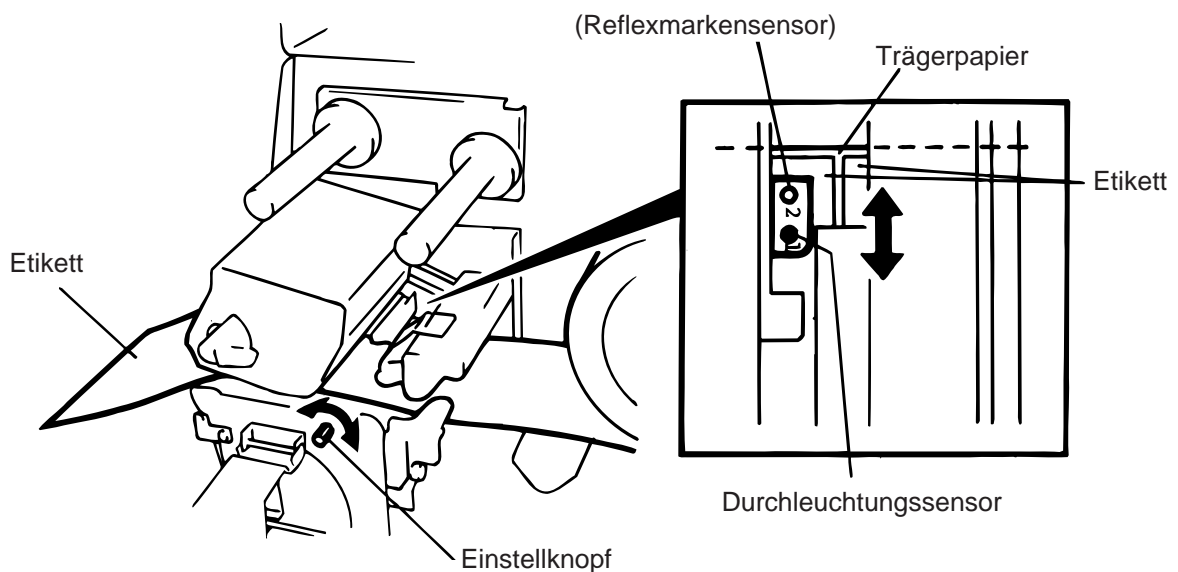


Abb. 6-8

10. Das Material ist nun richtig eingesetzt und der Sensor in Position.

Für kontinuierlichen Druck

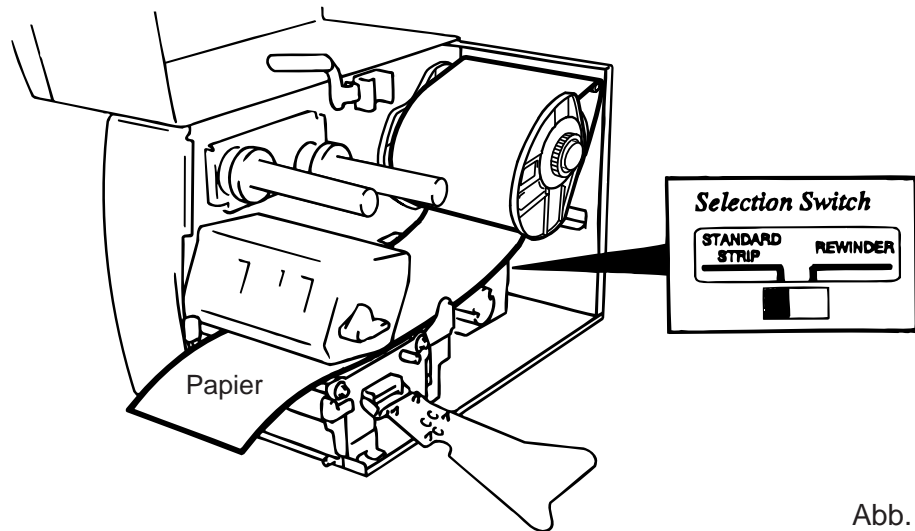


Abb. 6-9

HINWEIS: Setzen Sie den Selektionsschalter auf STANDARD/STRIP Position. Falsches Einschalten kann die Druckqualität beeinflussen.

Für Spendebetrieb:

- ① Etiketten vom Trägermaterial entfernen (ca. 50 cm).
- ② Trägermaterial nach hinten führen und um den internen Aufwickler legen. Mit der Klammer befestigen. (Der Aufwickler dreht sich entgegen dem Uhrzeigersinn).
- ③ Bewegen Sie den Aufwickler entgegen dem Uhrzeigersinn, um das Trägerpapier zu straffen.

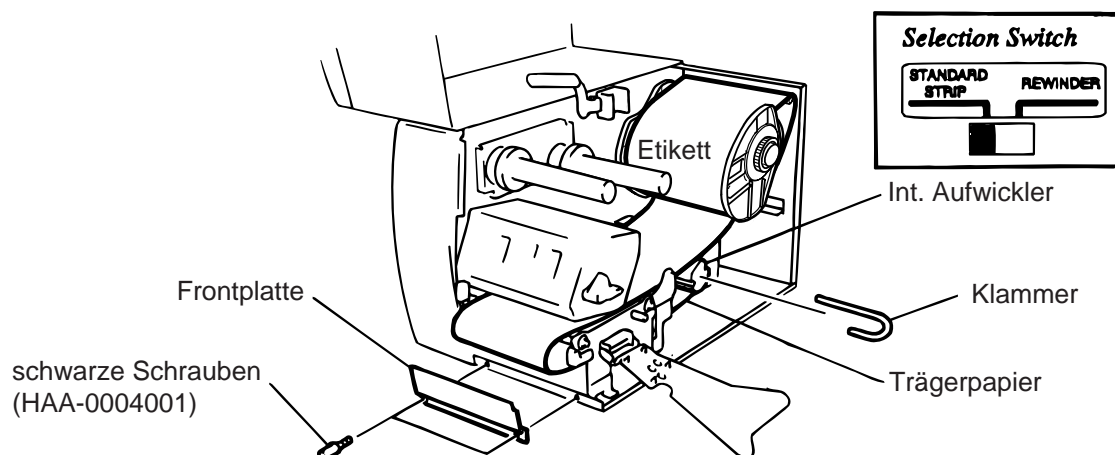


Abb. 6-10

HINWEISE: 1. Am einfachsten können Sie das Trägerpapier einlegen, wenn Sie vorher die Frontplatte abnehmen.

2. Die lange Seite der Klammer gehört in die tiefere Nut.

3. Setzen Sie den Selektionsschalter auf STANDARD/STRIP Position.

Für Betrieb mit Messer: Das Papier so weit durchziehen, das es vorne aus dem Messer austritt.

- HINWEISE:**
1. Bitte nur das Trägermaterial des Etiketts schneiden. Beim Schneiden der Etiketten kann sich Klebematerial auf dem Messer festsetzen. Dies beeinträchtigt die Qualität des Messers und verkürzt die Haltbarkeit des Messers.
 2. Wenn ein Messer am Drucker vorhanden ist, legen sie das Material wie gewohnt ein und führen es durch das Messer.
 3. Für den Betrieb mit Messer kann der Selektionsschalter auf jeder Position eingestellt sein.

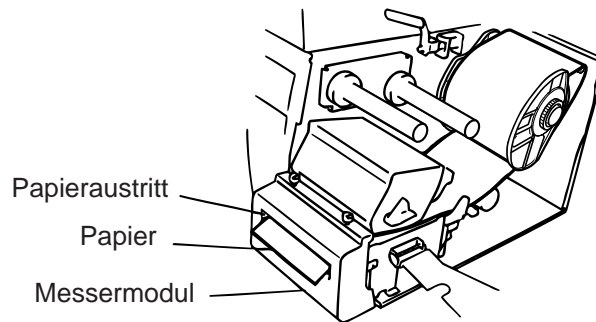


Abb. 6-11

Für kontinuierlichen Druck und gleichzeitige Nutzung des internen Aufwicklers:

- ① Die 2 schwarzen Schrauben und die Frontplatte entfernen.
- ② Befestigen Sie die linke Seite des Aufwickel-Führungsbleches an der Spendekante und befestigen Sie es mit den 2 Schrauben.

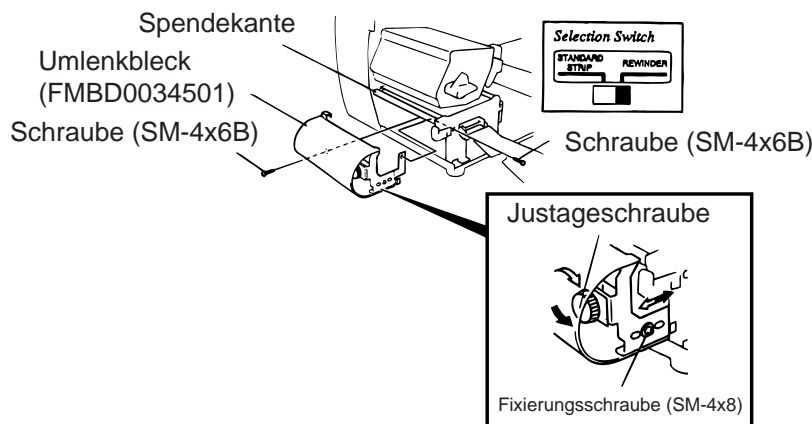


Abb. 6-12

HINWEIS: Setzen Sie den Selektionsschalter auf *REWINDER* Position.

- ③ Papier zum Aufwickler führen und befestigen, wie unter Punkt 2 + 3 beim Spendebetrieb beschrieben.
- ④ Einstellung

Wird das Etikett auf den internen Aufwickler schief aufgewickelt, so stellen Sie das Umlenckblech mit der Justageschraube für den internen Aufwickler so ein, daß die Etikettenbahn gleichmäßig angelehnt umgelenkt wird. Drehen Sie die Justageschraube im Uhrzeigersinn so bewegt sich das Umlenckblech nach vorn, entgegen dem Uhrzeigersinn nach hinten.

* Etikett zieht nach rechts:

Lösen Sie die Fixierungsschraube SM-4x8. Drehen Sie die Justageschraube im Uhrzeigersinn bis sich eine gleichmäßige Anlehnung der Etikettenbahn an das Umlenckblech eingestellt hat.

Ziehen Sie nun die Fixierungsschraube SM-4x8 wieder fest.

* Etikett zieht nach links:

Lösen Sie die Fixierungsschraube SM-4x8. Drehen Sie die Justageschraube entgegen dem Uhrzeigersinn bis sich eine gleichmäßige Anlehnung der Etikettenbahn an das Umlenckblech eingestellt hat. Ziehen Sie nun die Fixierungsschraube SM-4x8 wieder fest.

7. EINSETZEN DES FARBBANDES

ACHTUNG!

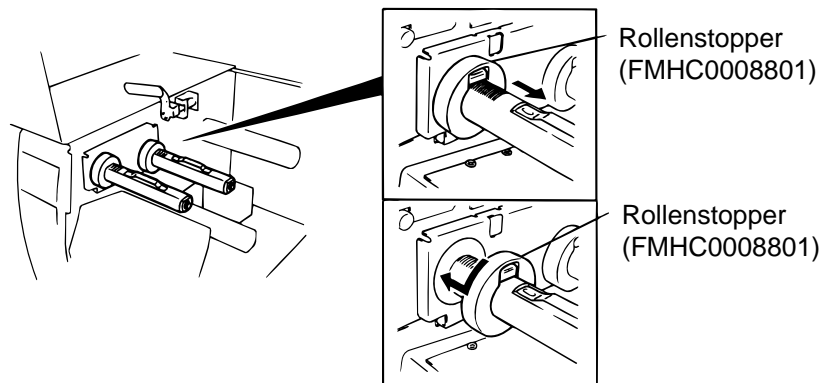
1. Fassen Sie keine beweglichen Teile an. Um zu verhindern, daß Finger, Schmuck, Kleidungsstücke oder ähnliches von den beweglichen Teilen erfaßt werden, schalten Sie das Gerät **IMMER** "AUS".
2. Greifen Sie **NIE** in den Drucker während des Öffnens oder Schließens, so vermeiden Sie Verletzungen.

Dieser Drucker kann als Thermodrucker und als Thermotransfer-Drucker genutzt werden.

Beim Betrieb als Thermodrucker ist das Papier chemisch behandelt, und es darf **kein Farbband** eingesetzt werden.

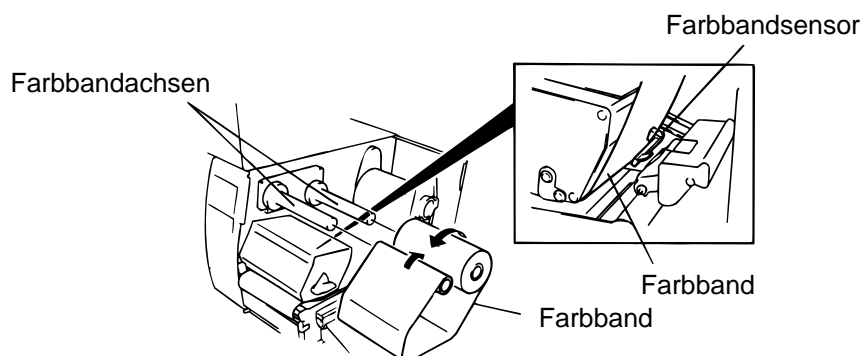
1. Bei Einsatz eines schmalen Farbbandes sind die Rollenstopper so weit auf den Achsen zu verschieben, daß das Farbband zentriert ist. Wenn ein breiteres Farbband verwendet wird, sind die Rollenstopper um 90° zu drehen und entsprechend der Breite des Farbbandes zu verschieben. Zum Fixieren wieder um 90° drehen.

HINWEIS: Wenn Sie die Rollenstopper einmal abgehabt haben, so achten Sie beim Einsetzen auf den richtigen Sitz.



Add. 7-1

2. Setzen Sie nun das Farbband ein. Es soll hierbei nicht gestrafft sein. Achten Sie darauf, daß das Farbband über dem Sensor liegt.
3. Straffen Sie das Farbband, indem Sie beide Farbbandachsen aufeinander zu drehen.



Add. 7-2

4. Beim fixieren des Führungsbleches auf den richtigen Sitz an den Farbbandachsen achten.
5. Fixieren Sie den Knopf durch Drehen der Kopfverriegelung im Uhrzeigersinn.
6. Schließen Sie das Gehäuse.

8. EINSETZEN DER FLASH MEMORY KARTE (Option)

ACHTUNG!

Zum Einsetzen oder Entnehmen der Karte den Drucker immer ausschalten.

VORSICHT:

Um die Speicherkarte vor Statik zu schützen, sollten Sie vor Herausziehen der Karte die rückseitige Abdeckung des Druckers berühren.

1. Schalten Sie den Drucker aus.
2. Stecken Sie die Karte in den vorgesehenen Steckplatz auf der Rückseite des Druckers.
3. Schalten Sie den Drucker ein.

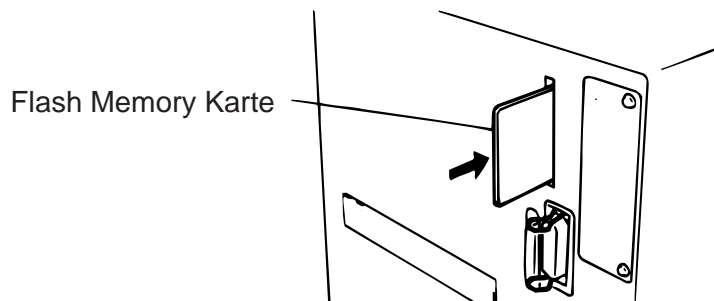


Abb. 8-1

- HINWEISE:**
1. Bewahren Sie die Speicherkarte außerhalb des Druckers immer in der Schutzhülle auf.
 2. Setzen Sie die Karte keinen mechanischen Belastungen aus.
 3. Schützen Sie die Karte vor großer Hitze und direkter Sonneneinstrahlung.
 4. Die Karte keiner Feuchtigkeit aussetzen und nicht feucht reinigen.
 5. Der Drucker muß beim Einsetzen oder Herausnehmen der Karte immer ausgeschaltet sein.
 6. Die nachfolgend aufgeführten Flash Memory Karten können genutzt werden. (1MB-Karten können nur gelesen werden, 4MB können im Drucker beschrieben und gelesen werden.)

Kapazität	Hersteller	Typ	Karten Code	Hersteller Code
1M Byte	Maxell	EF-1M-TB [AA]	D0H	1CH
	Mitsubishi	MF81M1-GBDAT01		
4M Byte	Maxell	EF-4M-TB [CC]	88H	B0H
	Maxell	EF-4M-TB [DC]	ADH	04H
	Centennial Technologies INC.	FL04M-15-11119-03		01H
	INTEL	IMC004FLSA	A2H	89H
	Simple TECHNOLOGY	STI-FL/4A		
	Mitsubishi	MF84M1-G7DAT01		
	PC Card KING MAX	FJN-004M6C		
	PC Card	FJP-004M6R	A0H	89H

9. HINWEISE ZUM PAPIER UND FARBBAND

Verwenden Sie nur Materialien, die von TOSHIBA TEC zugelassen sind:

Dies ist wichtig, um Druckqualität, Kopflebensdauer und Lesbarkeit von Barcodes sicherzustellen. Die Verwendung von nicht zugelassenen Materialien kann die Lebensdauer des Kopfes wesentlich verkürzen und zu schlechten Druckergebnissen führen. Lagern Sie Ihr Material unter Berücksichtigung folgender Regeln:

- Beachten Sie die Herstellerangaben zur Lagerzeit.
- Lagern Sie die Rollen liegend (auf der flachen Seite).
- Lagern Sie die Rollen in Plastikbeuteln. Verschließen Sie den Beutel nach Entnahme der Rolle. Ungeschützt lagerndes Material kann verschmutzen und die Lebensdauer des Druckkopfes durch Staub und Schmutzpartikel wesentlich verkürzen.
- Das Material soll kühl und trocken gelagert werden. Direktes Sonnenlicht, Wärme, hohe Luftfeuchte, Staub oder Gas können die Lebensdauer des Materials wesentlich verkürzen oder es unbrauchbar machen.
- Benutzen Sie kein Thermopapier beim Thermodirekt-Druck, daß nicht die Spezifikationen Na⁺800 ppm, K⁺250 ppm und CL-500 ppm erfüllt.
- Vorbedruckte Etiketten in denen Tinte benutzt wurde, können die Lebensdauer des Druckkopfes verkürzen. Benutzen Sie keine vorbedruckten Etiketten, die die Substanzen carbonic calcium (CaCO₃) und kaolin (Al₂O₃, 2SiO₂, 2H₂O) enthalten.

Weitere Informationen erhalten Sie von Ihrem TOSHIBA TEC Händler oder Ihrem Etiketten-bzw. Farbbandlieferanten.

10. WARTUNG

ACHTUNG!

1. *Vorsicht beim Umgang am Druckkopf, dieser kann sehr heiß werden.*
2. *Das Messer des Druckers ist sehr scharf, daher ist HÖCHSTE VORSICHT geboten, um Verletzungen zu vermeiden.*
3. *Fassen Sie keine beweglichen Teile an. Um zu verhindern, daß Finger, Schmuck, Kleidungsstücke oder ähnliches von den beweglichen Teilen erfaßt werden, schalten Sie das Gerät IMMER "AUS".*
4. *Greifen Sie NIE in den Drucker während des Öffnens oder Schließens, so vermeiden Sie Verletzungen.*

10.1 Reinigen

Durch regelmäßige Reinigung können Sie dazu beitragen, die hohe Qualität und Leistung dieses Druckers zu erhalten. Abhängig davon, wie stark der Drucker bei Ihnen zum Einsatz kommt, empfehlen wir, folgende Maßnahmen z.B. beim Wechseln des Farbbandes, täglich oder wöchentlich durchzuführen:

1. Drucker ausschalten und Netzkabel abziehen.
2. Gehäuse öffnen.
3. Druckkopf entriegeln.
4. Farbband und Papier entnehmen.
5. Die Heizelemente des Druckkopfes mit dem Druckkopfreiniger säubern.
6. Reinigen Sie die Andruckwalze, Andruckrolle und Vorschubrolle mit Alkohol. Entfernen Sie Staub aus dem Drucker.

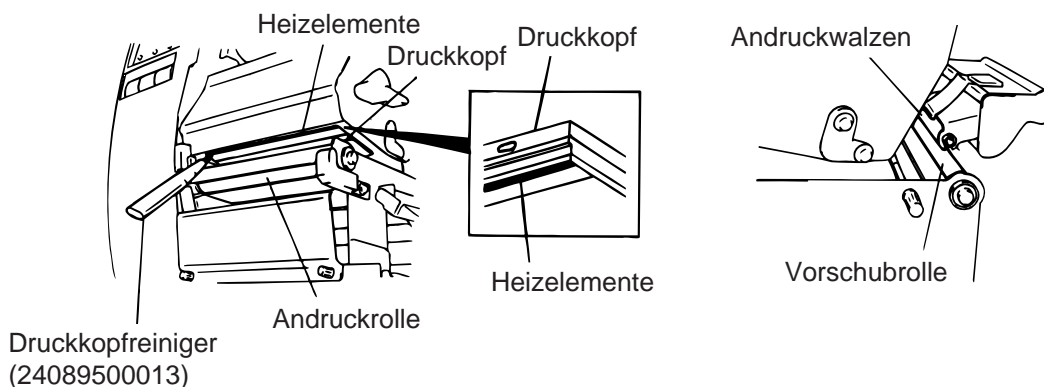


Abb. 10-1

ACHTUNG!

1. *Vor jeder Wartung muß das Netzkabel abgezogen werden.*
2. *Verwenden Sie zur Kopfreinigung niemals scharfe Gegenstände wie Schraubenzieher, Nagelfeilen, etc., sondern immer nur geeignete Reiniger wie von TOSHIBA TEC beziehbar.*
3. *Schütten Sie niemals Wasser auf den Drucker.*

10.2 Gehäuse

Reinigen Sie das Gehäuse mit einem trockenen Tuch. Bei starker Verschmutzung kann auch ein ausgewrungenes, feuchtes Tuch mit Reiniger (Pril, Dor, etc.) verwendet werden.

HINWEIS: Besonders geeignet sind handelsübliche Reiniger für Büromaschinen, die elektrostatische Aufladungen verhindern.

ACHTUNG!

1. KEIN WASSER auf den Drucker schütten.
2. Reinigungsmittel NIEMALS DIREKT auf den Drucker schütten.
3. NIEMALS Verdünner oder andere flüchtige Lösungsmittel zur Reinigung von Plastikteilen und Sichtfenster verwenden.
4. Plastikteile und Sichtfenster NICHT mit Alkohol reinigen, da dies zu Verfärbung, Verformung und Zerstörung führen kann.

10.3 Beseitigung eines Papierstaus

1. Drucker ausschalten.
2. Gehäuse öffnen.
3. Durch drehen der Kopfverriegelung nach links den Kopf abklappen und das Führungsblech für die Farbband-Achsen lösen.
4. Die schwarze Schraube entfernen, um die Papierführungsplatte abzunehmen.
5. Farbband und Papier entnehmen.
6. Gestautes Papier entfernen. Hierbei NIEMALS Gegenstände verwenden, die Teile des Druckers beschädigen könnten (Schraubenzieher, Scheren, etc.).
7. Wartung wie unter 10.1 beschrieben durchführen.
8. Teil ② der Papierführungsplatte muß über dem papiersensor liegen. Dann die Papierführungsplatte mit der schwarzen Schraube fixieren.

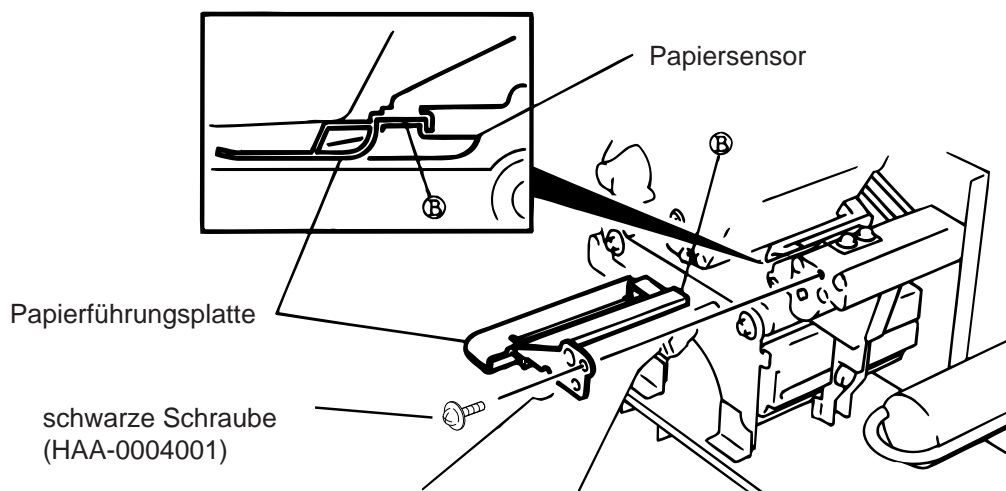


Abb. 10-2

9. Ein Papierstau im Messer kann durch aufgetretenen Kleber verursacht worden sein. Verwenden Sie daher nur zugelassene Qualitäten entsprechend den TOSHIBA TEC Standards. Tritt dennoch häufiger ein Papierstau im Messer auf, so informieren Sie Ihren zuständigen TOSHIBA TEC Händler.

■ Reinigung des Messers

ACHTUNG!

1. Der Drucker muß ausgeschaltet sein.
2. Das Messer ist sehr scharf, daher ist bei der Reinigung HÖCHSTE VORSICHT geboten, um Verletzungen zu vermeiden.

1. Die zwei Gehäuseschrauben lösen und Messergehäuse abnehmen.
2. Weiße Schraube lösen und Papierführung entfernen.
3. Gestautes Papier, Staub und Schneidrückstände entfernen.
4. Messer mit einem trockenen Tuch reinigen.

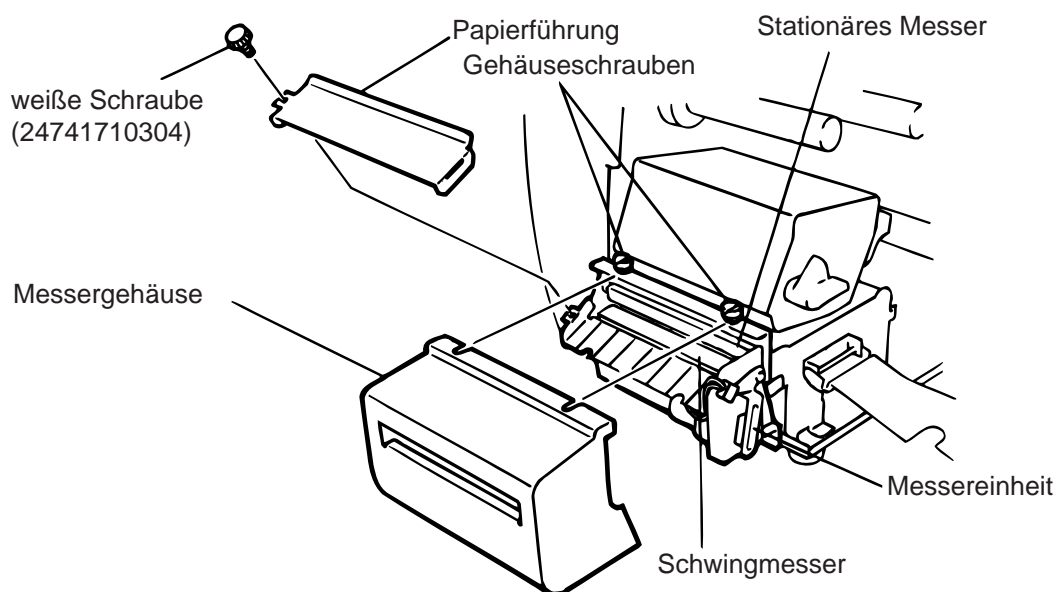


Abb. 10-3

5. Zusammenbau in umgekehrter Reihenfolge.

■ Automatische Farbbandoptimierung

Die automatische Farbbandoptimierung wird aktiviert durch die arbelten, wenn zusätzlich der nicht zu bedruckende Bereich größer als 20 mm ist.

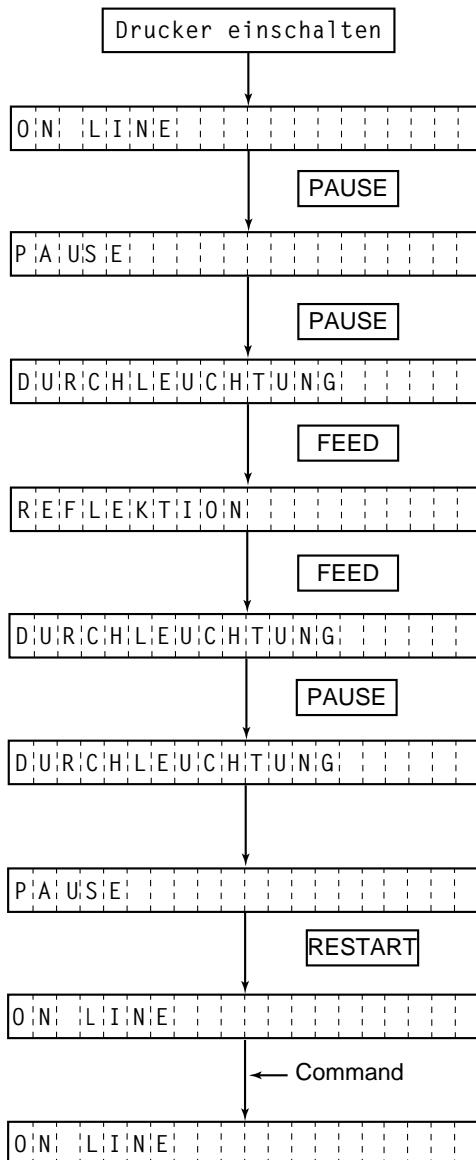
HINWEIS: *Bedingt durch die Relation zwischen außendurchmesser des gewickelten Farbbandes und der Druckgeschwindigkeit, varilert der Farbbandverlust zur Farbbandeinsparung wie folgt.*

Druckgeschwindigkeit	Farbbandverlust
3"/sek.	Ca. 5 mm
5"/sek.	Ca. 8 mm
8"/sek.	Ca. 17 mm

10.4 Sensoranpassung für vorgedruckte Etiketten

Der Durchleuchtungssensor misst die Menge des Lichts, die durch das Papier geht, und erkennt beim Etikettenzwischenraum, daß ein neues Etikett beginnt. Hierdurch ist es möglich, von Etikett zu Etikett die Druckposition konstant zu halten. Vorgeschnittene Etiketten können diese Synchronisation stören und zu Fehlern ("Papierstau") führen. Beim Auftreten von "Papierstau" oder Falschpositionierung des Drucks gehen Sie bitte wie folgt vor:

■ Sensoranpassung



- (1) Der Drucker ist im ON LINE Modus (Stand-by).
- (2) Legen Sie die Etikettenrolle in bekannter Weise ein.
- (3) Drücken Sie die **PAUSE**-Taste.
- (4) Der Drucker geht in Pause-Funktion.
- (5) Drücken Sie die **PAUSE**-Taste in der Pause Funktion für mehr als 3 Sekunden.
- (6) Im Display wird der Sensortyp angezeigt.
- (7) Drücken Sie die **FEED**-Taste.
- (8) Im Display wird Ihnen REFLECTIVE angezeigt. Sie haben den Druckmarkensensor ausgewählt.
- (9) Drücken Sie die **FEED**-Taste.
- (10) Im Display wird Ihnen TRANSMISSIVE angezeigt. Sie haben den Durchleuchtungssensor ausgewählt.
- (11) Drücken und halten Sie die **PAUSE**-Taste.
- (12) Etikettenmaterial wird vorgeschoben bis die **PAUSE**-Taste losgelassen wird.
- (13) Drücken Sie die **PAUSE**-Taste solange, bis min. 1.5 Etiketten vorgeschoben sind (Threshold Setting ist für dieses Etikett aktiviert).
- (14) Drücken Sie die **RESTART**-Taste.
- (15) Der Drucker ist im ON LINE Modus.
- (16) Schicken Sie jetzt ein Druckprogramm von Ihrem PC an Ihren Drucker.

HINWEIS:

1. Drücken Sie die **PAUSE**-Taste weniger als 3 Sekunden, wird kein Etikettenvorschub zur Einmessung durchgeführt.
2. Um die Threshold-Setting-Funktion wirkungsvoll durchzuführen, müssen mindestens 2 Etiketten vorgeschoben werden. Zu wenig Etiketten führen zu einer fehlerhaften Einstellung.
3. Wenn der Druckkopf nicht geschlossen ist, ist die **PAUSE**-Taste außer Funktion.
4. Fehler wie Messerfehler oder Etikettenende werden während des Papiervorschubs nicht erkannt.
5. Aktivieren Sie den „Pre-Printed-Label Sensor“ im XS-Command.
6. Sollte Ihr Etikett nach Einstellen der Threshold-Setting-Funktion nicht sauber positionieren, justieren Sie bitte Ihren Durchleuchtungssensor im System Mode neu. Führen Sie bitte eine neue Aktivierung der Threshold Setting Funktion durch und überprüfen Sie die Auswahl des Sensors im XS-Command.

11. FEHLERBEHEBUNG

ACHTUNG!

Wenn mit den nachfolgend beschriebenen Maßnahmen ein Fehler nicht beseitigt werden kann, so schalten Sie den Drucker aus, ziehen das Netzkabel ab und nehmen Sie bitte Kontakt mit Ihrem zuständigen TOSHIBA TEC-Händler auf. Versuchen Sie nicht, den Drucker selbst zu reparieren.

Fehlermeldung	Ursache	Lösung
PAPIERSTAU ****	<ol style="list-style-type: none"> 1. Papier ist nicht richtig eingelegt. 2. Papierstau im Drucker. 3. Das verwendete Papier stimmt nicht mit dem ausgewählten Sensor überein. 4. Die Reflexmarke auf dem Karton stimmt nicht mit der Sensorposition überein. 5. Die tatsächliche Länge des Etiketts/Anhängers stimmt nicht mit der programmierten überein. 6. Vordruckte Etiketten 	<ol style="list-style-type: none"> 1. Papier richtig einlegen. → Taste [RESTART] drücken. 2. Papierstau entfernen und unbeschädigtes Papier richtig einlegen. → Taste [RESTART] drücken. 3. Drucker aus- und einschalten. → Per Programm den richtigen Sensor auswählen. → Taste [FEED] drücken. 4. Sensor richtig positionieren. → Taste [FEED] drücken. 5. Drucker aus- und einschalten. → Per Programm die richtige Länge setzen. → Taste [FEED] drücken. 6. Nehmen Sie die Sensor-Anpassung für vordruckte Etiketten vor, wie unter 10-4 beschrieben.
KOPF OFFEN ****	Wenn der Kopf nicht verriegelt wurde, kann weder gedruckt noch vorgeschoben werden.	Verriegeln Sie den Kopf. → Taste [RESTART] drücken.
PAPIERENDE ****	Das Ende der Vorratsrolle ist erreicht.	Neues Material einlegen. → Taste [RESTART] drücken.
FARBANDENDE ****	Das Ende des Farbbandes ist erreicht.	Neues Farbband einlegen. → Taste [RESTART] drücken.
AUFWICKLER VOLL ****	Der interne Aufwickler ist voll.	Aufgewickeltes Papier entnehmen. → Taste [RESTART] drücken.

Fehlermeldung	Ursache	Lösung
KOPF UEBERHITZT	Der Druckkopf wurde zu heiß.	Drucker ausschalten und abkühlen lassen.
KOPF DEFEKT	Diese Meldung erscheint, wenn aufgrund des Befehls "Head Broken Line" ([ESC] HD001 [LF] [NUL]) ein defektes Element im Druckkopf gefunden wird.	1. Mit [RESTART] kann weitergedruckt werden. 2. Kopf muß ausgetauscht werden.
FARBAND- FEHLER ****	Der Farbbandsensor weist einen Defekt auf.	Drucker ausschalten und mit dem zuständigen TOSHIBA TEC Händler Kontakt aufnehmen.
MESSERFEHL. ****	Papierstau im Messer	Gestautes Material entfernen und Material wieder einlegen. → Taste [RESTART] drücken.
FLASH SCHREIB- FEHLER	Fehler beim Beschreiben der Flash Memory Karte	1. Drucker aus-und einschalten und erneut versuchen. 2. Eine andere Karte versuchen. 3. Kundendienst anfordern.
FORMATFEHLER	Fehler beim Formatieren der Flash Memory Karte.	1. Drucker aus-und einschalten und erneut versuchen. 2. Eine andere Karte versuchen. 3. Kundendienst anfordern
FLASH ZU KLEIN	Die max. Kapazität der Speicherkarte wurde erreicht.	Tauschen Sie die Flash Memory Karte aus. Senden Sie alle Daten erneut auf die neu eingesteckte Flash Memory Karte. (Es können nur 1MB und 4MB Flash Memory Karten verwendet werden.)
UEBERTRAGUNGSFEHLER	In der Kommunikation zum PC/Host ist ein Fehler aufgetreten.	Drucker aus-und einschalten und erneut versuchen, oder die [RESTART] Taste drücken. Programmdateien und Schriftparameter überprüfen. Kundendienst anfordern, wenn nötig.
ex) PC001; 0A00, Command error 0300, 2, 2	Der Drucker überprüft die Syntax der empfangenen Befehle und zeigt die ersten 20 Bytes des fehlerhaften Befehls im Display. Die Steuerzeichen ESC, LF und NUL werden nicht angezeigt.	Syntaxfehler korrigieren und erneut übertragen.

Fehlermeldung	Ursache	Lösung
Andere Fehlermeldungen	Weisen auf Hard- oder Softwarefehler hin.	Wenn der Fehler durch Aus/Einschalten nicht beseitigt werden kann, Kundendienst anfordern.
<p>HINWEIS: Normalerweise lassen sich alle Fehler durch Drücken der [RESTART] Taste beheben. Geht dies nicht, so schalten Sie den Drucker aus und wieder ein. Wurde der Drucker aus- / eingeschaltet, so sind alle Daten und Zähler gelöscht.</p> <p>**** zeigt im Zusammenhang mit Fehlermeldungen die noch zu druckende Anzahl von Etiketten / Anhängern an.</p>		

Problem	Lösung
Kein Druck	<ol style="list-style-type: none"> 1. Prüfen, ob Papier und Farbband richtig eingesetzt sind. 2. Prüfen, ob Druckkopf richtig verriegelt wurde. 3. Prüfen, ob Verbindung zwischen Host und Drucker richtig ist.
Fehlende Druckpunkte	Druckkopf verschmutzt. → Druckkopf reinigen. Wenn erforderlich, Kundendienst anfordern.
Schlechtes oder unsauberes Druckbild	<ol style="list-style-type: none"> 1. Druckkopf verschmutzt. → Druckkopf reinigen. 2. Falsches oder fehlerhaftes Farbband. → Neues Farbband einsetzen. 3. Schlechtes Papier. → Anderes Papier verwenden.
Drucker läßt sich nicht einschalten.	<ol style="list-style-type: none"> 1. Prüfen, ob Netzkabel richtig eingesteckt ist. 2. Prüfen, ob die Sicherung im Drucker ganz ist. 3. Prüfen Sie, z. B. mit einem anderen Gerät, ob die Netzsteckdose Spannung führt. Wenn erforderlich, Kundendienst anfordern.
Drucker schneidet nicht.	Prüfen Sie, ob ein Papierstau im Messer vorliegt. Wenn erforderlich, Kundendienst anfordern.
Unsaubere oder ausgefranste Schnittkanten	<ol style="list-style-type: none"> 1. Messer reinigen. 2. Messer sind verschlissen. → Kundendienst anfordern.

VORSICHT:

- Schallemission: unter 70dB (A) nach DIN 45635 (oder ISO 7779)
- Die für das Gerät vorgesehene Steckdose muß in der Nähe des Gerätes und leicht zugänglich sein.

TEC

Impresora térmica TEC

B-570-QP SERIES

Manual de instrucciones

Mantenimiento

La seguridad personal en el manejo y mantenimiento de los equipos es extremadamente importante. Las Advertencias y Precauciones necesarias para el manejo seguro están contempladas en este manual. Se deben leer y entender todas las advertencias y precauciones contenidas en este manual antes de manejar o mantener el equipo.

No intente efectuar reparaciones o modificaciones en este equipo. Si ocurriese un fallo que no se puede rectificar utilizando este manual, apague la máquina, desconecte la alimentación y contacte con su Distribuidor Autorizado TOSHIBA TEC para la asistencia técnica.

Significado de cada símbolo



Este símbolo indica puntos de advertencia (incluyendo precauciones). El contenido específico de la advertencia está dibujado en el interior del \triangle símbolo. (El símbolo de la izquierda indica una precaución general.)



Este símbolo indica acciones prohibidas (puntos prohibidos). El contenido específico prohibido está dibujado en el interior o cerca del \otimes símbolo. (El símbolo de la izquierda indica que no debe realizarse el desmontaje.)



Este símbolo indica las acciones que deben realizarse. Las instrucciones específicas están dibujadas en el interior del \bullet símbolo. (El símbolo de la izquierda indica que la clavija del cable de alimentación debe desconectarse de la toma de corriente.)

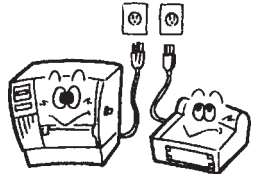


ADVERTENCIA

Esto indica que existe un riesgo de que se produzca la **muerte** o **heridas graves** si no se sigue esta indicación y las máquinas se manejan de forma incorrecta.



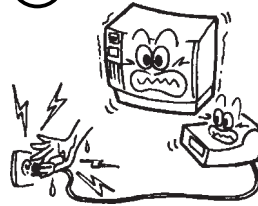
Cualquier otra tensión (CA) que no sea la especificada está prohibida.



■ No utilice otras tensiones diferentes de la tensión (CA) especificada en la placa de características, porque esto podría causar un **incendio** o una **sacudida eléctrica**.



Prohibido



■ No enchufe ni desenchufe las clavijas de los cables de alimentación con las manos mojadas porque esto puede causar una **sacudida eléctrica**.



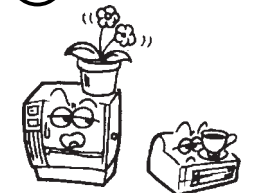
Prohibido



■ Si las máquinas comparten la misma toma de corriente con cualquier aparato eléctrico que consuma grandes cantidades de energía, la tensión fluctuará considerablemente cada vez que funcionen estos aparatos. Asegúrese de suministrar una toma de corriente exclusiva para las máquinas porque en caso contrario éstas tal vez **funcionen mal**.



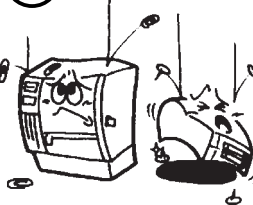
Prohibido



■ No ponga objetos metálicos ni recipientes llenos de agua tales como floreros, macetas, jarras, etc. encima de las máquinas. Si los objetos metálicos o los líquidos derramados entran en las máquinas, esto tal vez cause un **incendio** o una **sacudida eléctrica**.



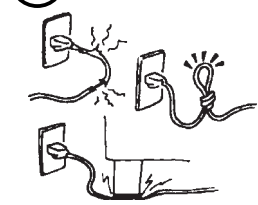
Prohibido



■ No introduzca ni deje caer objetos metálicos, inflamables u otros extraños dentro de las máquinas a través de las ranuras de ventilación, esto podría causar un **incendio** o una **sacudida eléctrica**.



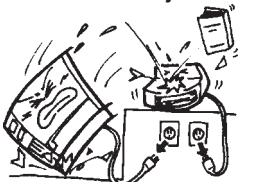
Prohibido



■ No trate de reparar o modificar las máquinas usted mismo, porque esto podría causar un **incendio** o una **sacudida eléctrica**. Póngase en contacto con su agente de ventas (o agente de mantenimiento y servicio) para cualquier cuestión relacionada con las reparaciones.



Desconecte la clavija.




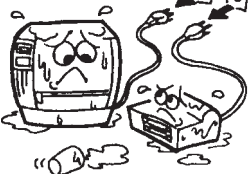

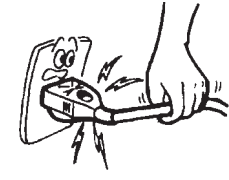

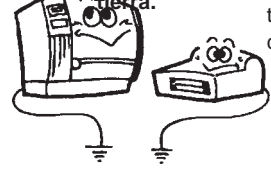

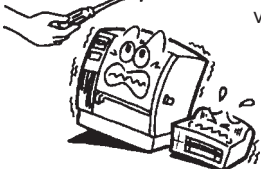
■ Si se caen las máquinas o se estropean sus cajas, apague primero las máquinas, desconecte las clavijas de alimentación de la toma de corriente y póngase en contacto con su Distribuidor Autorizado TOSHIBA TEC para que le proporcione asistencia. La utilización continua de las máquinas bajo estas condiciones puede causar un **incendio** o una **sacudida eléctrica**.



Desconecte la clavija.



■ La utilización continua de máquinas en mal estado-cuando producen humo u olores extraños, por ejemplo-puede provocar incendios o sacudidas eléctricas. En estos casos, apague inmediatamente la impresora y desconecte los cables de alimentación de la toma de corriente. Luego, póngase en contacto con su Distribuidor Autorizado TOSHIBA TEC para que le proporcione asistencia.

 <p>Desconecte la clavija.</p>  <p>■ Si entran objetos extraños (fragmentos de metal, agua, líquidos) en las máquinas, apague primero las máquinas, desconecte las clavijas de los cables de alimentación de la toma de corriente y luego póngase en contacto con su Distribuidor Autorizado TOSHIBA TEC para que le proporcione asistencia.</p>	 <p>Desconecte la clavija.</p>  <p>■ Cuando desenchufe los cables de alimentación, asegúrese de sujetar la clavija y tirar de ella. Tirar del cable puede ser la causa de que éste se rompa o de queden expuestos los conductores internos, lo que podría causar un incendio o una sacudida eléctrica.</p>
 <p>Conecte el cable de puesta a tierra.</p>  <p>■ Asegúrese de hacer la conexión de las tomas de tierra. Todas sus conexiones deben tener toma de tierra. Una derivación puede ser la causante de fuego o cortocircuitos.</p>	 <p>No se debe desmontar.</p>  <p>■ No intente desmontar o reparar la máquina por sí sólo, ya que puede exponerse a altas temperaturas, altos voltajes o zonas cortantes.</p>



PRECAUCIÓN

Esto indica que existe un riesgo de que se produzcan **heridas** personales o **daños** en objetos si no se sigue esta indicación y las máquinas se manejan de forma incorrecta.

Precauciones generales

Los puntos que se detallan a continuación le ayudarán a asegurarse de que la máquina funcionará correctamente.

- Procure evitar situar la impresora en lugares con las siguientes características:
 - * Temperatura fuera de especificaciones
 - * Luz directa del sol
 - * Humedad alta.
 - * Tomas de corriente compartidas
 - * Tomas de tensión compartidas
 - * Suciedad/Gas
- Limpiar la tapa con un paño seco o ligeramente humedecido con jabón. Nunca usar disolventes u otros productos semejantes para limpiar las partes plásticas.
- UTILICE SÓLO EL PAPEL Y CINTA RECOMENDADOS POR TOSHIBA TEC.
- NO ALMACENE el papel ni las cintas en lugares expuestos a luz solar directa, altas temperaturas, humedad, polvo o gas.
- Asegúrese de colocar la impresora en una superficie lisa.
- No se asegura el correcto almacenamiento de los datos en caso de que se produzca un error en la impresora.
- Evite utilizar esta máquina conectada a la misma fuente de corriente que un equipo de alto voltaje que pueda causar interferencias.
- Desconecte la impresora cada vez que la vaya a revisar o limpiar.
- Mantenga el área de trabajo libre de cargas electrostáticas.
- No ponga objetos pesados encima de las máquinas ya que éstos pueden perder el equilibrio y caerse causando **heridas**.
- No bloquee las ranuras de ventilación de las máquinas porque esto hará que se acumule calor en el interior de las máquinas y podrá causar un **incendio**.
- No se apoye ni deje nada sobre la impresora, ya que ésta podría caerse y ocasionarle daños.
- Tener cuidado de no cortarse con la cuchilla de la impresora.
- Desconecte la impresora cuando no la vaya a utilizar durante un periodo largo de tiempo.

Compromiso de Mantenimiento

- Utilice nuestros servicios de mantenimiento.
Después de comprar la impresora, contacte con su Distribuidor Autorizado TOSHIBA TEC al menos una vez al año para su mantenimiento y limpieza. En caso contrario, se puede almacenar suciedad en la impresora y causar un incendio o mal funcionamiento. La limpieza es particularmente efectiva antes de las estaciones lluviosas húmedas.
- Nuestro servicio de mantenimiento realiza periódicamente chequeos y otros trabajos necesarios para mantener la calidad de impresión, el correcto funcionamiento y prevenir accidentes de antemano. Para más detalles, consulte a su Distribuidor Autorizado TOSHIBA TEC.
- Uso de insecticidas y otros productos químicos.
No exponga la impresora a insecticidas u otros disolventes volátiles, puesto que pueden deteriorar la carcasa y otros elementos o provocar el desprendimiento de la pintura.

ÍNDICE

	Página
1. INTRODUCCION	S1- 1
1.1 Descripción del modelo	S1- 1
1.2 Accesorios	S1- 1
2. ESPECIFICACIONES	S2- 1
2.1 Impresora	S2- 1
2.2 Opciones	S2- 2
2.3 Papel	S2- 2
2.4 Cinta	S2- 2
3. VISTA GENERAL	S3- 1
3.1 Vista frontal y posterior de la impresora	S3- 1
3.2 Panel de operaciones	S3- 1
4. FUNCIONAMIENTO DE LOS DIP SWITCH	S4- 1
5. INSTALACION DE LA IMPRESORA	S5- 1
5.1 Conexión de los cables	S5- 1
5.2 Procedimiento de colocación del filtro del ventilador	S5- 1
6. CARGA DEL PAPEL	S6- 1
7. COLOCACION DE LA CINTA	S7- 1
8. COMO INTRODUCIR LA TARJETA DE MEMORIA (Opcional)	S8- 1
9. ACERCA DE LOS CONSUMIBLES	S9- 1
10. MANTENIMIENTO	S10- 1
10.1 Limpieza	S10- 1
10.2 Panel y cubiertas	S10- 2
10.3 Cómo quitar el papel atascado	S10- 2
10.4 Configuración del umbral de etiqueta	S10- 4
11. SOLUCION DE ERRORES	S11- 1

ATENCIÓN:

1. *Este manual no puede ser copiado total o parcialmente sin permiso escrito.*
2. *El contenido de este manual puede ser cambiado sin previo aviso.*
3. *Para cualquier consulta aclaración dirijase a su distribuidor autorizado TOSHIBA TEC.*

1. INTRODUCCION

Gracias por elegir la impresora térmica B-570 de TOSHIBA TEC. La serie B-570 de impresoras térmicas permite que el rollo de papel quede dentro de la impresora, lo cual es ideal para trabajar en ambientes agresivos. Esta es la siguiente generación líder en precio y especificaciones que incorpora lo último en hardware. Este nuevo diseño contempla un cabezal de una densidad máxima de 12 puntos/mm que imprime cerca de su borde y puede alcanzar hasta 203.2 mm/sec. Equipadas de serie con un sistema de ahorro automático de cinta, un rebobinador interno y un mecanismo despegador de papel, disponen además de un interface PC opcional que incrementa considerablemente la velocidad de las comunicaciones, satisfaciendo así cualquier tipo de necesidad.

Este manual contiene información sobre la configuración general y el mantenimiento de la impresora B-570, por lo que rogamos sea leído atentamente para obtener el máximo rendimiento de su impresora. Si tuviese alguna cuestión referente a la impresora, por favor consulte este manual. Asegúrese de tenerlo a mano para futuras consultas.

WARNING!

This is a Class A product. In a domestic environment this product may cause radio interference in which case the user may be required to take adequate measures.

PRECAUCION:

Al abrir o cerrar la cubierta superior (tapa), tenga cuidado de no pillarse los dedos.

PRECAUCION:

Antes de manipular cualquier pieza de la impresora en movimiento (motors, rodillos, etc.), desenchufe la impresora de la red a fin de evitar que los dedos, joyas, ropa, etc, puedan engancharse en ellas.

1.1 Descripción del modelo

- B-572-QP

Descripción del modelo

B - 5 7 2 - Q P

QP: Versión europea

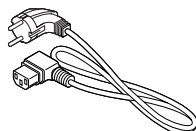
2: Térmica directa / Transferencia térmica

1.2 Accesorios

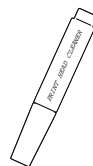
Manual que ya posee
(EM1-33031)



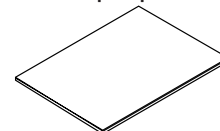
Cable de
alimentación



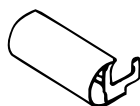
Lápiz limpiador
(24089500013)



Proceso de
desempaquetado



Guía del rebobinador
(FMBD0034501)



Filtro del ventilador
(FMBB0036801)



Tornillo
(SM-4x6B)



2. ESPECIFICACIONES

2.1 Impresora

Características	Modelo	B-570-QP
Tensión de alimentación		220V ~ 240V AC +10%, -15%, 50Hz + 2Hz, -2Hz
Consumo		Máximo 198W (parada: Máximo 51W)
Rango de temperaturas		5°C ~ 40°C
Humedad relativa		25% ~ 85%RH (sin vapor)
Cabezal de impresión		Cabezal térmico de 12 puntos/mm
Método de impresión		Transferencia térmica / Térmica directa
Velocidad de impresión		76.2 mm/sec., 127 mm/sec., 203.2 mm/sec.,
Ancho de impresión		127.5 mm
Modos de emisión		Continuo, con dispensador automático o con cortador (El modo con cortador se posible si se posee unidad cortadora.)
Pantalla de mensajes		20 dígitos x 1 línea (LCD)
Dimensiones		291 mm (ancho) x 460 mm (fondo) x 308 mm (alto)
Peso		19 kg
Formatos de códigos de barras		JAN8, JAN13, EAN8, EAN8 + 2dígitos, EAN8 + 5dígitos, EAN13, EAN13 + 2dígitos, EAN13 + 5dígitos, UPC-E, UPC-E + 2dígitos, UPC-E + 5dígitos, UPC-A, UPC-A + 2dígitos, UPC-A + 5dígitos, MSI, ITF, NW-7, CODE39, CODE93, CODE128, EAN128 PDF417, DATA MATRIX, Industrial 2 of 5
Fuentes de letras		Times Roman (6 tipos), Helvetica (6 tipos), Presentation (1 tipo), Letra Gótica (1 tipo), Prestige Elite (2 tipos), Fuente Outline (1 tipo), OCR (2 tipos), Caracteres imprimibles (40 tipos), Courier (2 tipos) 0°, 90°, 180°, 270°
Rotaciones		
Interface		
Standard		Interface serie (RS-232C) Interface paralelo (Centronics) Interface de expansión I/O Interface de memoria rápida
Opcional		Interface PC de alta velocidad

2.2 Opciones

Nombre de la opción	Tipo	Uso	Origen
Unidad cortadora	B-4203-QM	Permite parar la impresión y cortar la etiqueta.	Ver NOTA 1.
Interface PC alta velocidad	B-4800-PC-QM	Esta placa interface transfiere rápidamente los comandos de control de la impresora acortando drásticamente los tiempos de transmisión.	Ver NOTA 1.
Guía de papel plegado	B-4903-FF-QM	Guía de papel sólo para papel plegado	Ver NOTA 1.
D-RAM PC Board	FMBC0067801	Una ampliación de 2 MB de RAM que mejora la capacidad de manejo de la imagen de impresión	Ver NOTA 2.
Memoria rápida	—————	Tarjeta de memoria Flash (1MB y 4MB) para almacenar logotipos, tablas de caracteres y formatos de etiquetas.	Ver NOTA 3.

- NOTAS:**
1. Disponible en su distribuidor autorizado TOSHIBA TEC.
 2. Disponible en su distribuidor autorizado TOSHIBA TEC.
 3. Cuando adquiera una tarjeta de memoria Flash, asegúrese de que cumpla las especificaciones descritas en la página 8-1.

2.3 Papel

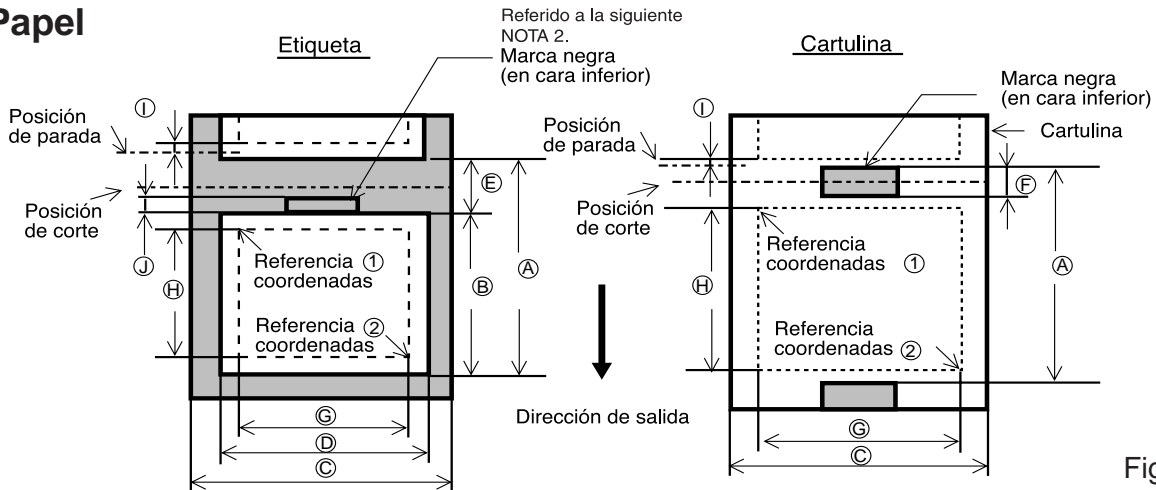


Fig. 2-1

[Unidad: mm]

Modo de emisión		Continuo	Dispensado automático	Con cortador	
Especificación					
A : Espacio entre finales de etiquetas/cartulinas		10.0 ~ 999.0	25.4 ~ 999.0	Etiqueta: 38 ~ 999.0 Cartulina: 25.4 ~ 999.0	
B : Longitud de la etiqueta		8.0 ~ 997.0	23.4 ~ 997.0	25.0 ~ 993.0	
C : Ancho del papel porta etiquetas/cartulina		25.4 ~ 88.0			
D : Ancho de la etiqueta		22.4 ~ 85.0			
E : Espacio entre etiquetas		2.0 ~ 20.0	2.0 ~ 20.0	6.0 ~ 20.0	
F : Longitud de la marca negra (Cartulina)		2.0 ~ 10.0			
G : Ancho de la zona efectiva de impresión		10.0 ~ 79.68			
H : Longitud de la zona efectiva de impresión	Etiqueta	Estandar	6.0 ~ 256.0	21.4 ~ 256.0	23.0 ~ 256.0
		Max. módulo de memoria	6.0 ~ 995.0	21.4 ~ 995.0	23.0 ~ 991.0
	Cartulina	Estandar	8.0 ~ 256.0	23.4 ~ 256.0	23.4 ~ 256.0
		Max. módulo de memoria	8.0 ~ 997.0	23.4 ~ 997.0	23,4 ~ 997.0
I : Velocidad de impresión arriba/abajo		1.0			
J : Longitud de la marca negra (Etiqueta)		Referido a la siguiente NOTA 2.			
Longitud max. de impresión	Estandar	128.0			
	Max. módulo de memoria	640.0			
Diámetro de salida		ø200 Max.			
Espesor	Etiqueta	0.13 ~ 0.17			
	Cartulina	0.5 ~ 0.29			

- NOTAS:**
- Asegúrese de que el papel que va a cargar cumple las especificaciones arriba indicadas.
 - Cuando se hagan las marcas negras en los rollos de etiquetas hay que tener en cuenta los siguientes requerimientos.
Si la separación entre etiquetas es menor de 4 mm:
La longitud de la marca negra debe ser mayor que la separación entre etiquetas.
Si la separación entre etiquetas es 4 mm o más:
La longitud de la marca negra no tiene que solaparse más de 4 mm con la siguiente etiqueta.

2.4 Cinta

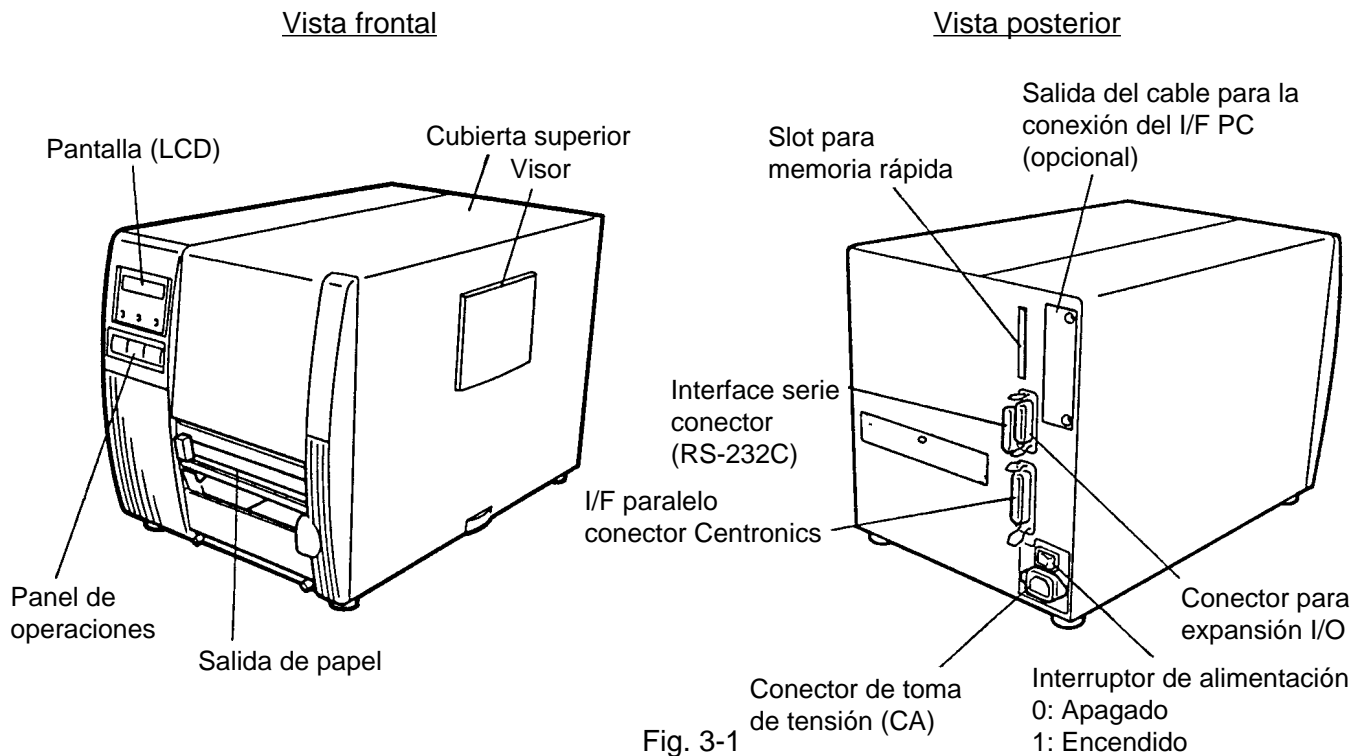
Tipo	Tipo de carrete
Ancho	68 mm ~ 134 mm
Longitud	600 m
Diámetro exterior	ø90 mm (max.)

NOTAS:

- Se llama "on the fly" al tipo de impresión que imprime y dibuja al mismo tiempo.
- Se recomienda el uso de papel y cintas recomendadas por TOSHIBA TEC con el fin de alargar la vida del cabezal de impresión.
- Trabajando con cortador, la etiqueta a imprimir debe cumplir que; la suma de la longitud de la etiqueta (B) mas la mitad de la longitud del espacio entre etiquetas (E) será mayor de 35 mm.
- Se debe tener en cuenta que si se usa el rebobinador interno, el diámetro máximo de enrollado es de 180 mm.
- Utilizar papel rugoso con el modo ahorrador de cinta, puede producir borrones en la impresión.

3. VISTA GENERAL

3.1 Vista frontal y posterior de la impresora



3.2 Panel de operaciones

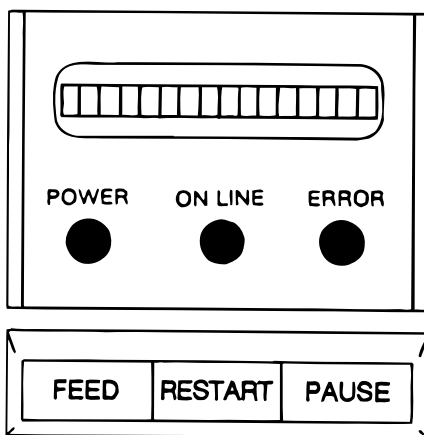


Fig. 3-2

PANTALLA (LCD)

Muestra los mensajes en el lenguaje seleccionado por los microinterruptores internos (DIP switch). Cuando la impresora está encendida y lista para imprimir, el mensaje "ON LINE" aparece en la pantalla.

INDICADOR DE ENCENDIDO (Verde)

Se ilumina cuando la impresora se encuentra encendida.

INDICADOR DE "ON LINE" (Verde)

- 1) Parpadea cuando la impresora se encuentra comunicando con un ordenador o viceversa.
- 2) Iluminado cuando la impresora se encuentra imprimiendo.

INDICADOR DE ERROR (Rojo)

Se ilumina cuando ocurre un error de comunicación o cuando la impresora no es manipulada correctamente.

TECLA DE "FEED"

Al pulsarlo produce un avance del papel.

TECLA DE "RESTART"

Reinicia la impresora cuando ésta se encuentra atascada o se ha producido algún error. Usado para fijar el umbral de etiqueta. (Refer. pag 10-4)

TECLA DE "PAUSE"

Produce una pausa en la impresión. Muestra el mensaje de "PAUSE" (pausa). Usado para configurar el umbral de etiqueta. (Refer. pag. 10-4.)

4. FUNCIONAMIENTO DE LOS DIP SWITCH

Los DIP switch se hallan situados a la derecha del eje del rollo de papel.

ATENCIÓN!

Apagar la impresora antes de manipular los DIP switch.

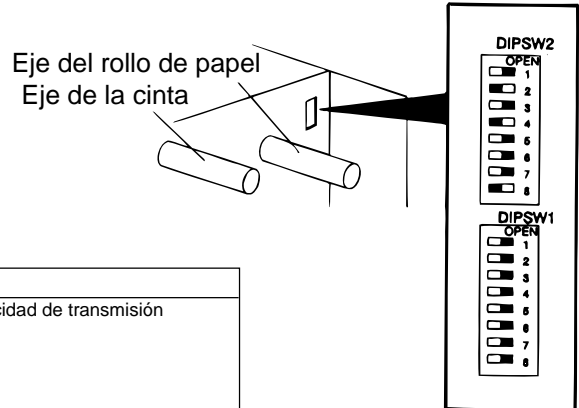


Fig. 4-1

(1) DIP SW 2

No.	ON/OFF		FUNCION	
	1	2		
1	OFF	OFF	2400 BPS	Velocidad de transmisión
	ON	ON	4800 BPS	
2	OFF	OFF	9600 BPS	
	ON	ON	19200 BPS	
3	OFF		1 bit	Longitud del bit de stop
	ON		2 bits	
4	OFF		7 bits	Longitud del dato
	ON		8 bits	
5	OFF		Sin	Chequeo de paridad
	ON		Con	
6	OFF		Par	Control de paridad (activo cuando el microinterruptor 5 está en ON)
	ON		Impar	
7	OFF	OFF	XON (al encender la impresora)	Protocolo de comunicación
			XOFF (al apagar la impresora)	
	ON	OFF	READY/BUSY (DTR)	
			XON (al encender la impresora)	
XOFF (al apagar la impresora)	READY/BUSY (RTS)			
	XON (al encender la impresora)			
XOFF (al apagar la impresora)				
	8	OFF	ON	
XON (al encender la impresora)				
XOFF (al apagar la impresora)				
ON	ON	XON (al encender la impresora)		
XOFF (al apagar la impresora)				

(2) DIP SW 1

No.	ON/OFF			FUNCION	
	2	3	4		
1	OFF			Desactivado	Ahorrador de cinta
	ON			Activado	
2	OFF	OFF	OFF	Inglés	Idioma en el que saldrán los mensajes de error en la pantalla LCD.
	ON	OFF	OFF	Alemán	
	OFF	ON	OFF	Francés	
	ON	ON	OFF	Holandés	
4	OFF	OFF	ON	Español	
	ON	OFF	ON	Japonés	
	OFF	ON	ON	Italiano	
5	OFF			Desactivado	
	ON			Activado	
6	OFF			Desactivado	Uso del rebobinador interno/Función de subida del cabezal en mode corte Referido a la siguiente NOTA 2.
	ON			Activado	
7	OFF			Debe estar siempre en OFF.	
	ON				
8	OFF			Debe estar siempre en OFF.	
	ON				

- NOTAS:**
1. La configuración por defecto es la señalada con fondo oscuro. "OFF" significa abierto.
 2. El DIP switch #1-6 funciona de acuerdo a la impresora utilizada.
 3. Si desea cambiar entre el protocolo de comunicación de READY/BUSY (DTR) y el READY/BUSY (RTS), contacte con su distribuidor TOSHIBA TEC autorizado.

5. INSTALACION DE LA IMPRESORA

5.1 Conexión de los cables

ATENCIÓN!

Apagar la impresora antes de conectar cualquier cable.

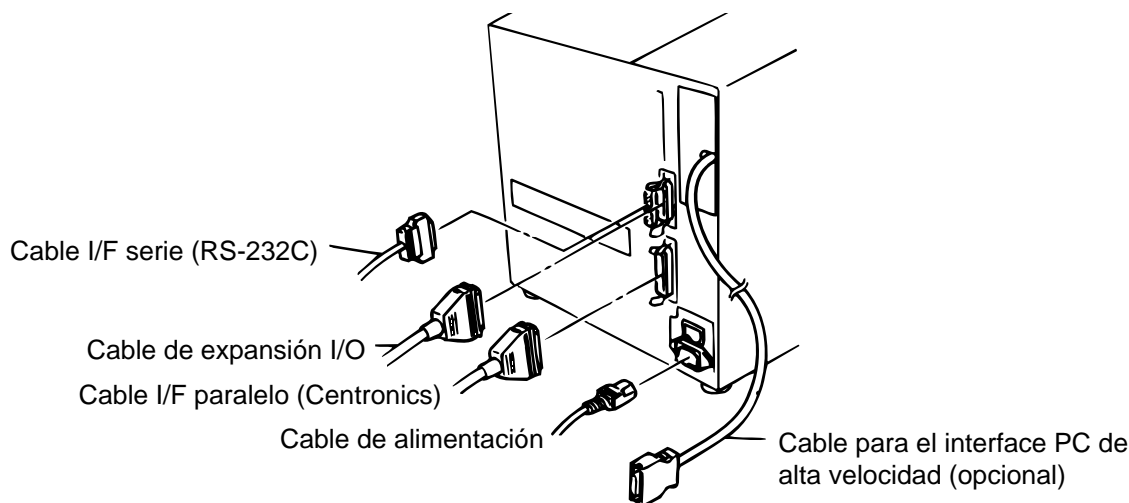


Fig. 5-1

5.2 Procedimiento de colocación del filtro del ventilador

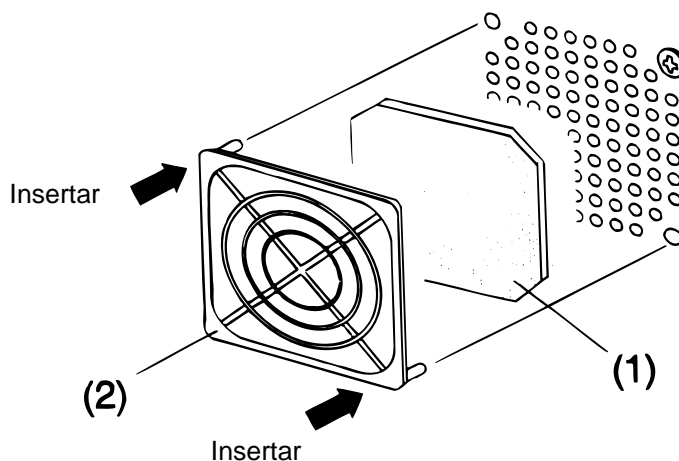


Fig. 5-2

Cuando se esté instalando la impresora, es importante asegurarse de que el filtro del ventilador sea instalado antes de comenzar a utilizarla.

El filtro se compone de dos piezas:

- (1) Almohadilla filtro
- (2) Sujeción del filtro

Para fijar todo el conjunto a la impresora no hay más que presionar siguiendo las indicaciones del diagrama anterior, asegurándose que los engarces entren en sus agujeros.

6. CARGA DEL PAPEL

ATENCIÓN!

1. Antes de manipular cualquier pieza de la impresora en movimiento (motores, rodillos, etc.), desenchufe la impresora de la red a fin de evitar que los dedos, joyas, ropa, etc. puedan engancharse en ellas.
2. Al abrir o cerrar la cubierta superior (tapa), tenga cuidado de no pillarse los dedos.

La impresora imprime en etiquetas y en cartulinas indistintamente.

1. Apagar la impresora y abrir la cubierta superior.
2. Gire la palanca de apertura del cabezal hasta la posición ③, luego libere la placa de fijación de la cinta.

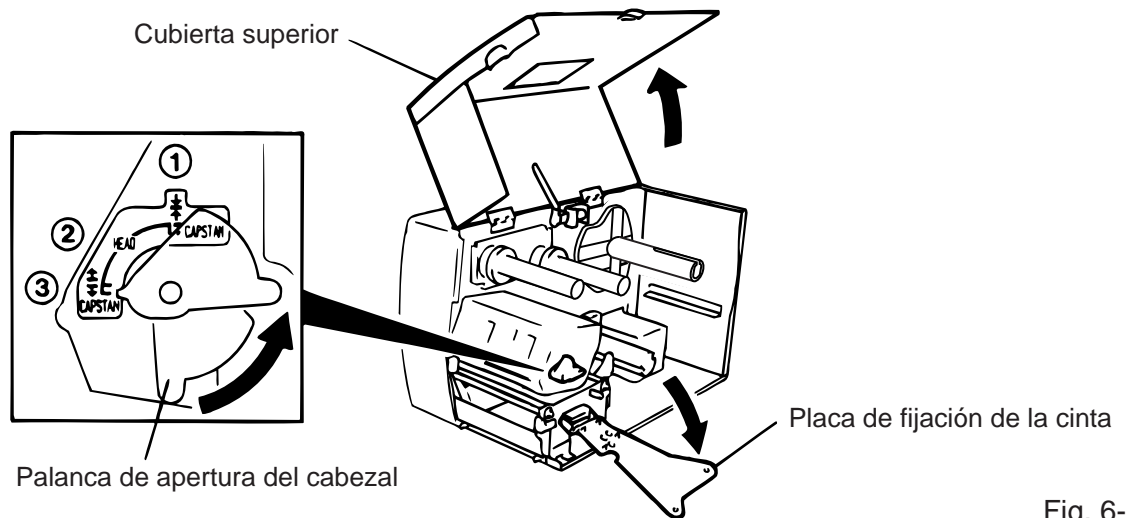


Fig. 6-1

- NOTAS:**
1. Cuando la palanca de apertura del cabezal se gira hasta la posición ②, el cabezal se levanta.
 2. Cuando la palanca de apertura del cabezal se gira hasta el final de la posición ③, la cabeza de impresión y los rodillos de sujeción del papel se levantan.
 3. Para permitir la impresión, la palanca de apertura del cabezal debe estar en posición ①. (Asegúrese de que tanto la cabeza como los rodillos de sujeción de papel están cerrados.)
3. Gire el anillo de bloqueo en el sentido contrario a las agujas del reloj y extraiga el soporte lateral de papel de eje.

NOTA: No gire demasiado el anillo de fijación en el sentido de las agujas del reloj o se puede desprender la sujeción lateral del rollo de papel.

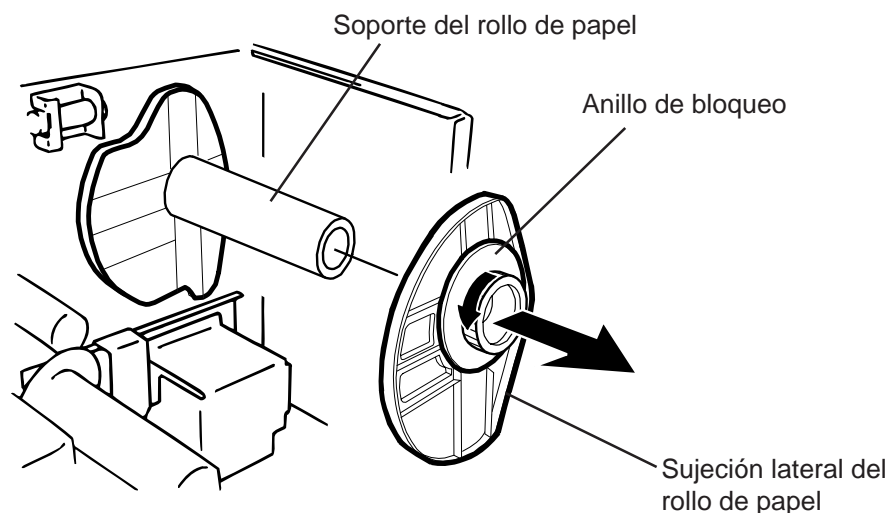


Fig. 6-2

4. Colocar el rollo de papel en el soporte del rollo de papel.
5. Pase el papel por el regulador de tiro y llévelo hacia el frontal de la impresora. Coloque la sujeción lateral del rollo de papel tal y como ilustra la figura.
6. Inserte el saliente del soporte lateral de papel en la ranura del eje hasta fijar el rollo. Luego, gire el anillo de bloqueo en el sentido de las agujas del reloj para asegurar el soporte lateral. Esto centrará el papel automáticamente.

NOTA: No apriete muy fuerte el anillo de bloqueo del soporte lateral de papel.

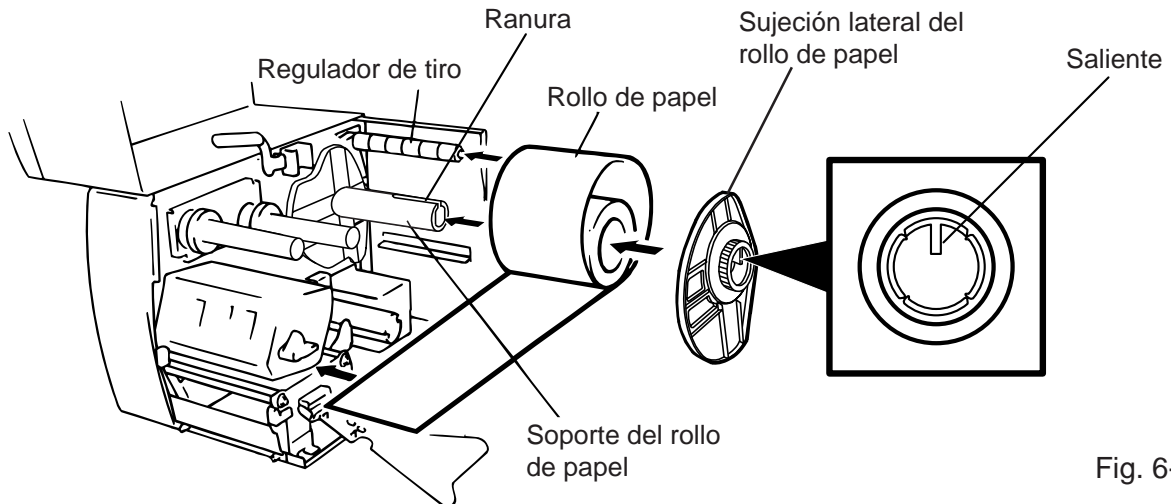


Fig. 6-3

7. Inserte el papel a través de las pletinas de sujeción de la guía papel, ajuste las guías al ancho del papel y apriete el tornillo de fijación.
8. Comprobar que el papel sale desde el rollo, pasa por las guías y sale por debajo de la cabeza de impresión. El papel debe quedar colocado en el centro de la cabeza de impresión.

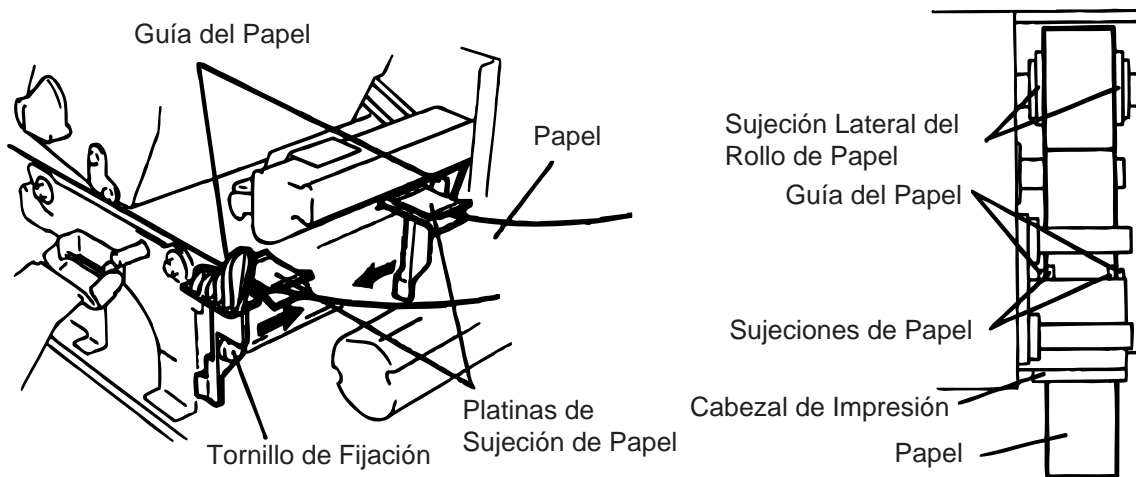


Fig. 6-4

NOTA: Cuando utilice rollos con las etiquetas en la cara externa, quite las pletinas superiores de las sujeciones de papel de las siguiente forma. Un fallo al hacer esto puede causar un error de atasco de papel.

Si tiene alguna duda, por favor póngase en contacto con su representante de Servicio TOSHIBA TEC más cercano.

■ Extracción de las pletinas superiores las sujeciones de la guía de papel

- ① Quitar los dos tornillos T-4x8 para soltar la guía de papel de la impresora.

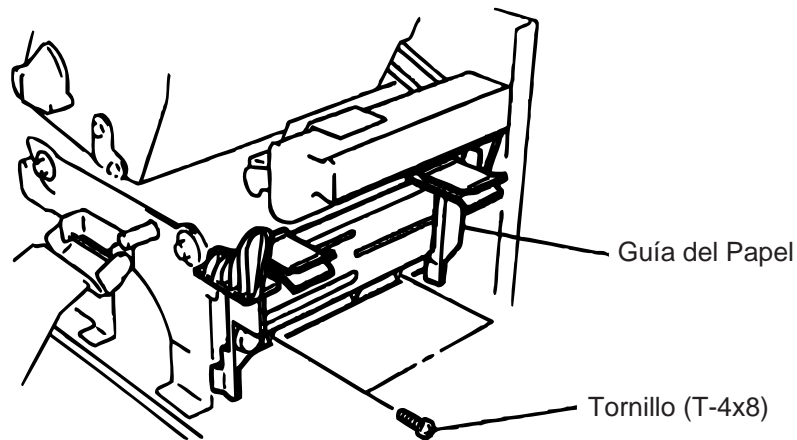


Fig. 6-5

- ② Quitar el tornillo SM-3x6 o el SM-3x8 para soltar las pletinas superiores de las sujeciones de la guía de papel.

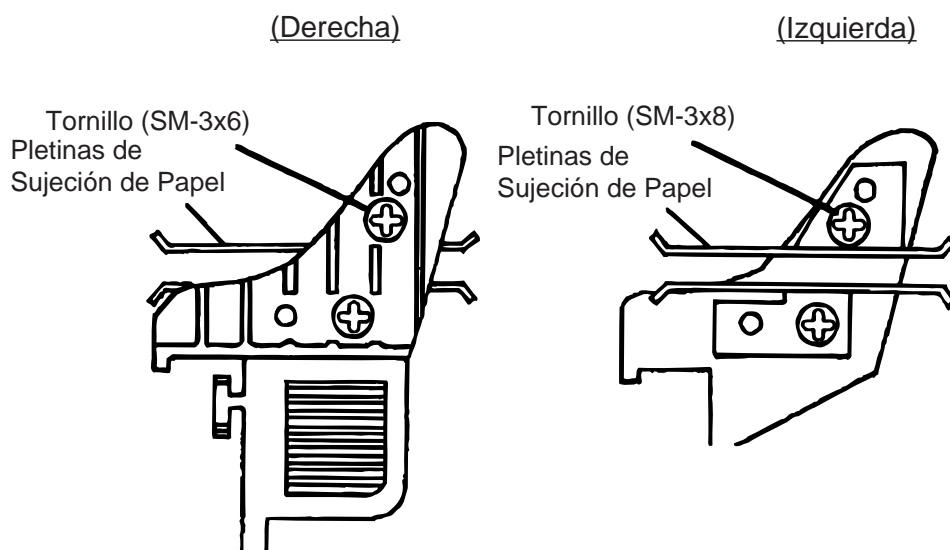


Fig. 6-6

- ③ Coloque la guía de papel en su posición.

NOTA: No pierda las pletinas superiores quitadas porque las puede necesitar cuando utilice rollos con las etiquetas en la cara interior.

9. Ajuste la precisión de los sensores de papel. Cuando se gira el mando del sensor hacia la derecha el sensor avanza, cuando se gira a la izquierda el sensor retrocede.

■ Ajuste de la posición del sensor de marca negra

- ① Sacar unos 500 mm de papel y doblarlo de tal manera que se introduzca entre la cabeza de impresión y el papel ya introducido.
- ② Ajustar la posición del sensor de marca negra en la marca del papel (el agujero de arriba indica la posición del sensor).

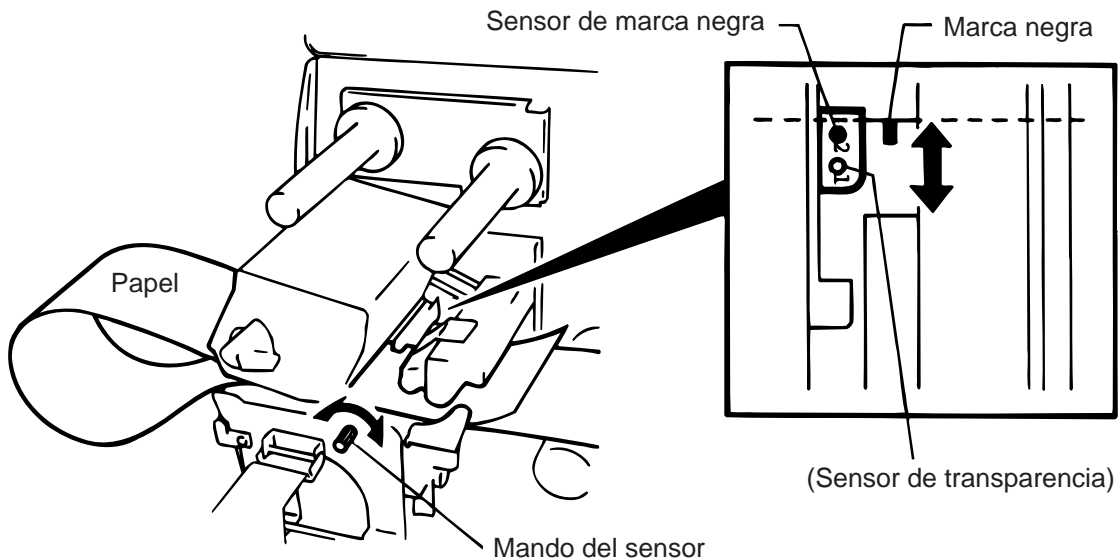


Fig. 6-7

NOTA: Asegúrese de que la marca se encuentra en el centro del sensor, de no ser así pueden producirse atascos del papel.

■ Ajuste de la posición del sensor de transparencia

- ① Ajustar la posición del sensor de transparencia en un espacio entre etiquetas. (el agujero de abajo indica la posición del sensor.)

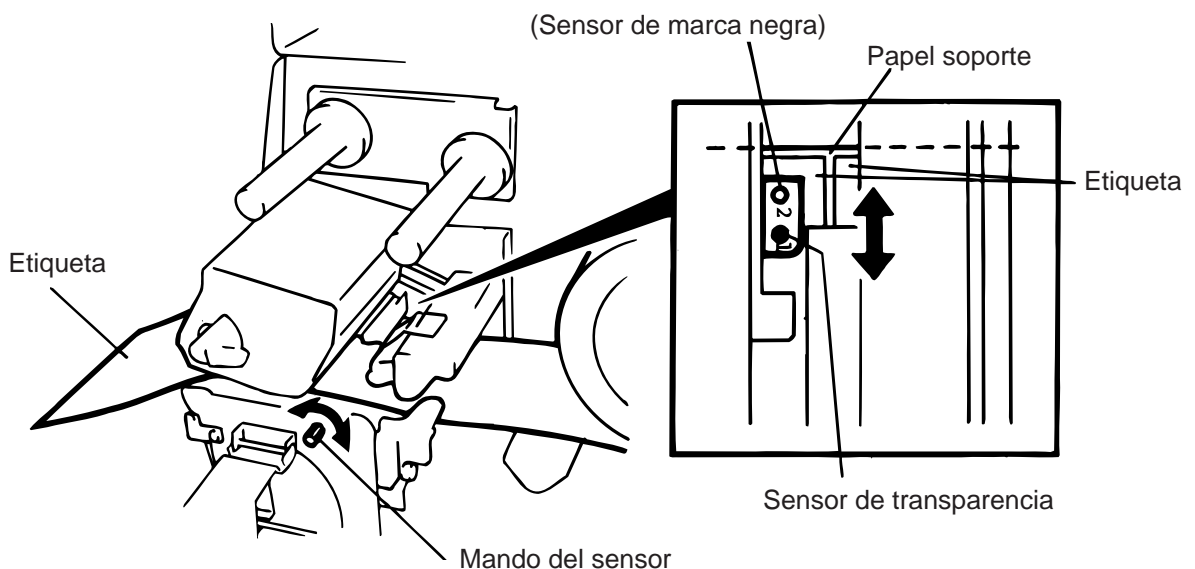


Fig. 6-8

10. Ahora tanto el papel como la posición del sensor se encuentran ubicados correctamente.

Emisión continua:

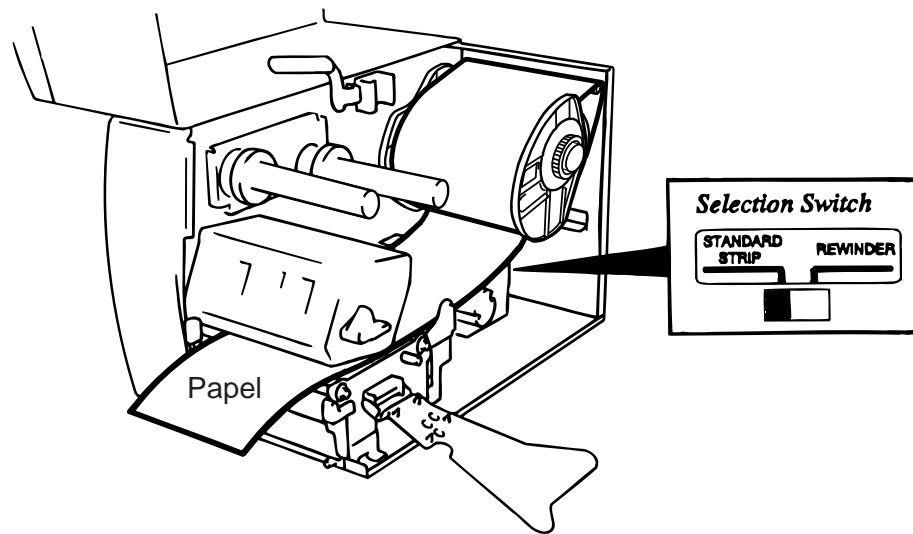


Fig. 6-9

NOTA: Coloque el conmutador de selección en la posición STANDARD/STRIP.

Una posición incorrecta de este conmutador puede afectar a la calidad de impresión.

Emisión con despegado automático:

- ① Despege las etiquetas necesarias para dejar libre unos 500 mm de papel soporte.
- ② Pase el papel soporte por el rodillo de recogida y fíjelo al mismo.
(El rodillo de recogida gira en sentido contrario a las agujas del reloj.)
- ③ Girar el rodillo de recogida en el sentido opuesto al de las agujas del reloj para tensar el papel soporte.

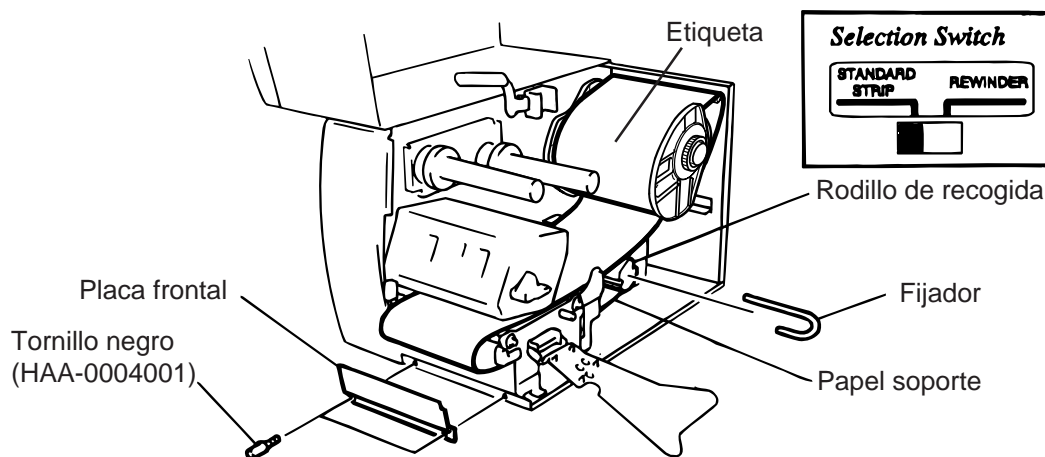


Fig. 6-10

NOTAS: 1. El papel soporte es fácil de insertar si se extrae la placa frontal.

2. Colocar la parte más larga del fijador a la ranura del rodillo de recogida.

3. Coloque el conmutador de selección en la posición STANDARD/STRIP.

Emisión con cortador: Cuando se trabaja con cortador, avance el papel hasta la salida de papel ubicada en el módulo cortador.

- NOTAS:**
1. A la hora de trabajar con el cortador, asegúrese de cortar sólo papel soporte. Tenga en cuenta que si se cortan etiquetas el adhesivo de estas se queda pegado en la cuchilla; lo cual afecta tanto a la calidad de corte como a la vida del cortador.
 2. Si al realizar la emisión con corte el principio de la etiqueta tiende a enrollarse sobre el platen, coloque el microinterruptor interno (DIP SW) 1-5 en la posición ON.
 3. En el modo de emisión con core la posición del conmutador de selección no influye sobre la impresión.

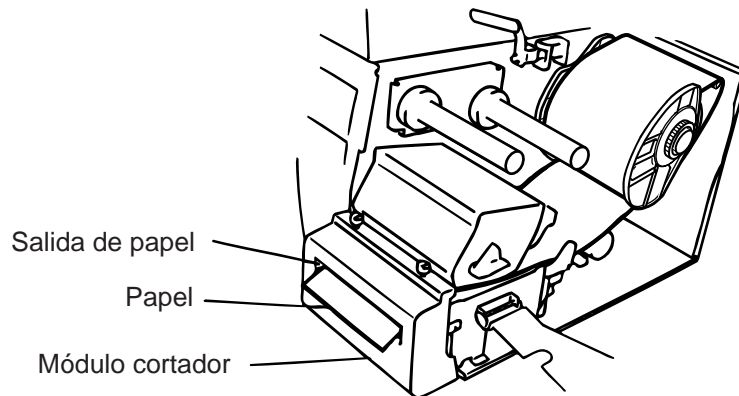


Fig. 6-11

Emisión con rebobinador:

- ① Quite dos tornillos negros y extraiga la cubierta frontal.
- ② Ancle la guía del rebobinador al eje de despegado y fijela con los tornillos.

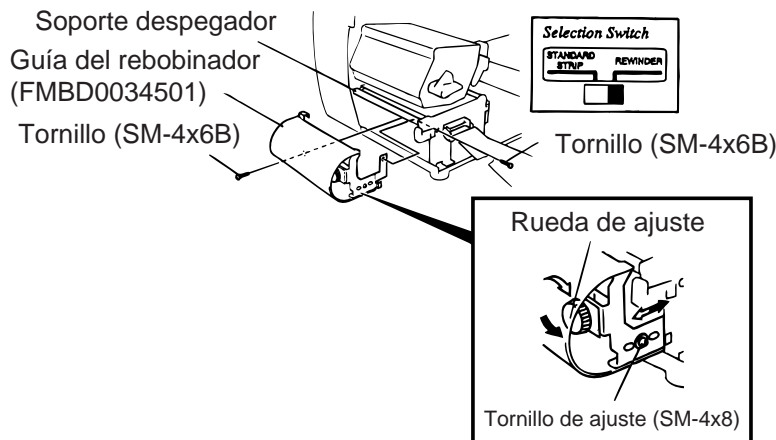


Fig. 6-12

NOTA: Coloque el conmutador de selección en la posición de REWINDER (Rebobinador).

- ③ Seguir el proceso de emisión con despegado automático.
- ④ Ajuste

Si se dobla la etiqueta cuando se recoge, gire la rueda de ajuste de la guía del rebobinador para corregir la alimentación del papel. Girando en el sentido de las agujas del reloj el rebobinador avanza y en sentido contrario retrocede.

* Cuando las etiquetas se tuercen hacia la derecha:

Afloje el tornillo de ajuste SM-4x8 con un destornillador plano. Gire la rueda de ajuste en sentido de las agujas del reloj y cuando el rebobinador se encuentre en la posición correcta, apriete el tornillo de ajuste SM-4x8.

* Cuando las etiquetas se tuercen hacia la izquierda:

Afloje el tornillo de ajuste SM-4x8 con un destornillador plano. Gire la rueda de ajuste en sentido contrario a las agujas del reloj y cuando el rebobinador se encuentre en la posición correcta, apriete el tornillo de ajuste SM-4x8.

7. COLOCACION DE LA CINTA

ATENCIÓN!

1. Antes de manipular cualquier pieza de la impresora en movimiento (motores, rodillos, etc.), desenchufe la impresora de la red a fin de evitar que los dedos, joyas, ropa, etc, puedan engancharse en ellas.
2. Al abrir o cerrar la cubierta superior (tapa), tenga cuidado de no pillarse los dedos.

Existen dos tipos de papeles, el estandar y el térmico. **NO CARGUE** cinta cuando vaya a usar papel térmico.

1. Cuando se usa cinta estrecha, desplazar los topes de la cinta hacia atrás y ajuste los extremos de acuerdo a su ancho. Si se cambia de cinta estrecha a cinta ancha, se deberán girar los topes de la cinta 90 grados y presionarlos hasta ajustarlos con el ancho actual, y vuelva a fijarlos.

NOTA: Cuando se reajustan los topes de la cinta, colocarlos con los remaches hacia el borde del soporte de la cinta.

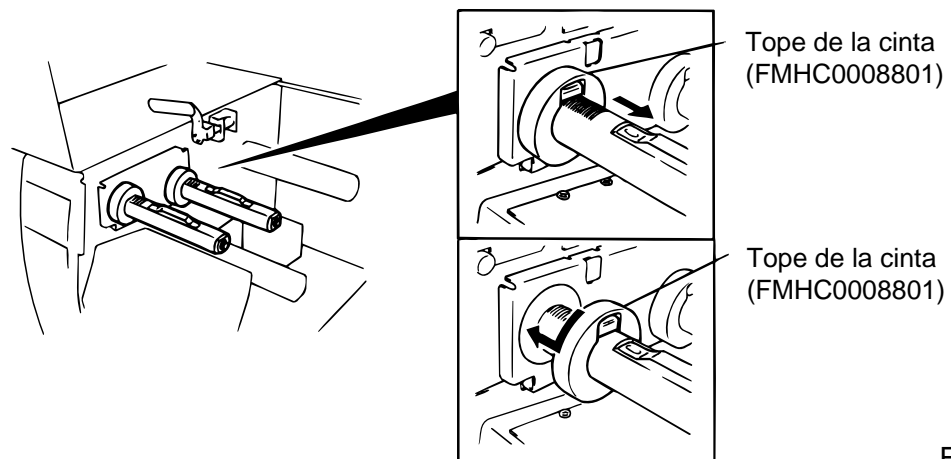


Fig. 7-1

2. Aflojar la cinta y colocarla en el interior de la impresora como muestran los siguientes gráficos. La cinta debe estar posicionada sobre el sensor.
3. Girar ambos rollos tal y como muestra la figura para tensar la cinta.

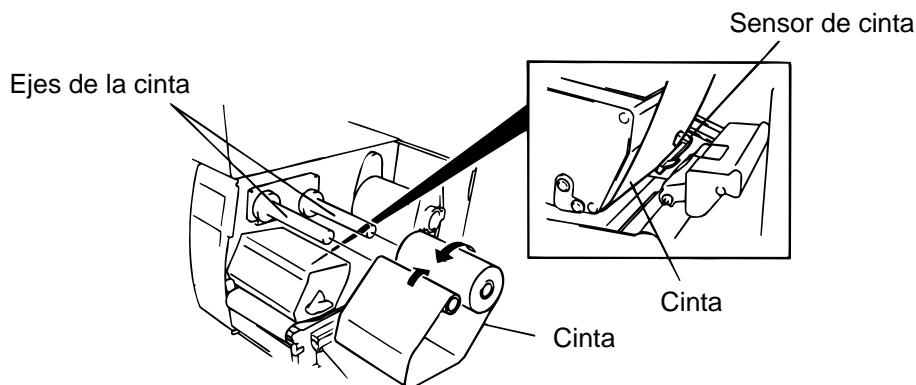


Fig. 7-2

4. Volver a colocar la fijación de la cinta alineándola con el eje de la misma.
5. Girar la palanca de apertura del cabezal con el fin de bajar la cabeza de impresión.
6. Cerrar la tapa superior.

8. COMO INTRODUCIR LA TARJETA DE MEMORIA (Opcional)

ATENCIÓN!

Apagar siempre la impresora cuando se vaya a introducir o extraer la tarjeta de memoria.

ATENCIÓN:

Para evitar que la tarjeta se cargue con la electricidad electrostática que nuestro cuerpo pueda poseer, antes de operar sobre ella, toque cualquier zona metálica de la parte posterior de la impresora.

1. Apagar la impresora.
2. Inserte la tarjeta de memoria en la cual usted tenga grabados datos de impresión, gráficos, etc.
3. Encender la impresora.

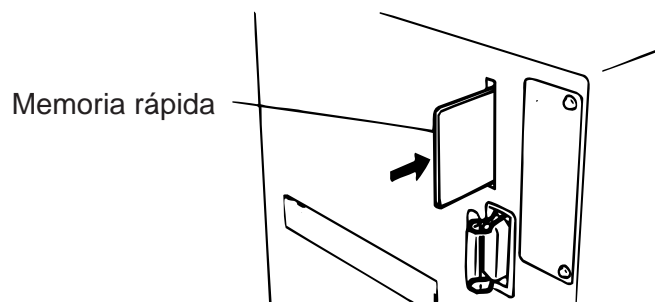


Fig. 8-1

- CUIDADOL:**
1. Asegúrese de proteger la memoria rápida introduciéndola en su caja.
 2. No golpee o aplique demasiada fuerza al introducir la memoria rápida.
 3. Procure no exponer la memoria rápida a temperaturas altas, luz directa del sol y humedad excesiva. Para limpiarla use un paño ligeramente humedecido.
 4. Antes de introducir o extraer la memoria rápida asegúrese de que la impresora esté apagada.
 5. Se pueden utilizar las siguientes tarjetas flash. (La tarjeta de 1 MB es de sólo lectura y la de 4 MB es de lectura/escritura.)

Capacidad	Fabricante	Tipo	Código de dispositivo	Código de fabricante
1M Byte	Maxell	EF-1M-TB [AA]	D0H	1CH
	Mitsubishi	MF81M1-GBDAT01		
4M Byte	Maxell	EF-4M-TB [CC]	88H	B0H
	Maxell	EF-4M-TB [DC]	ADH	04H
	Centennial Technologies INC.	FL04M-15-11119-03		01H
	INTEL	IMC004FLSA	A2H	89H
	Simple TECHNOLOGY	STI-FL/4A		
	Mitsubishi	MF84M1-G7DAT01		
	PC Card KING MAX	FJN-004M6C		
	PC Card	FJP-004M6R	A0H	89H

9. ACERCA DE LOS CONSUMIBLES

ATENCIÓN:

Por tratarse de una impresora de transferencia térmica, se aconseja que se usen las etiquetas y cintas recomendadas por TOSHIBA TEC. De lo contrario pueden resultar códigos de barras ilegibles. Trátense estas etiquetas y cintas con cuidado. En caso de usar productos en mal estado puede que los códigos impresos sean defectuosos además de acortar la vida de su cabezal. Lea detenidamente este manual.

- No almacene el papel o las cintas por más tiempo del que recomiendan los fabricantes. Colóquense en sitios lisos y evítese almacenarlos en superficies irregulares. Usar consumibles en mal estado puede producir atascos en la impresora y ofrece una baja calidad de impresión.
- Consérvense dentro de bolsas de plástico cerradas convenientemente. De lo contrario éstos absorberán suciedad lo que acortará la vida de su cabezal.
- Almacenar en sitios frescos y secos. Evite ambientes húmedos, suciedad, polvo, altas temperaturas, gas y que estén expuestos directamente a la luz del sol.
- El uso de impresión térmica directa (impresión sobre papel térmico) requiere que el papel térmico no exceda de: Na+ 800 ppm, K+ 250 ppm y CL-500 ppm.
- Algunas tintas usadas en etiquetas preimpresas pueden contener ingredientes que influyan en la vida del cabezal, por eso no use etiquetas preimpresas que contengan carbonico cálcico (CaCO_3) y Caolin ($\text{Al}_2\text{O}_3, 2\text{SiO}_2, 2\text{H}_2\text{O}$).

Para más información consulte con su distribuidor o sus fabricantes de papel y cintas.

10. MANTENIMIENTO

ATENCIÓN!

1. Tenga cuidado en el manejo del cabezal ya que éste puede estar caliente.
2. Tener cuidado de no cortarse con la cuchilla de la impresora.
3. Antes de manipular cualquier pieza de la impresora en movimiento (motores, rodillos, etc.), desenchufe la impresora de la red a fin de evitar que los dedos, joyas, ropa, etc, puedan engancharse en ellas.
4. Al abrir o cerrar la cubierta superior (tapa), tenga cuidado de no pillarse los dedos.

10.1 Limpieza

Se recomienda usar para su limpieza productos de calidad. De acuerdo con la frecuencia con la que se use la máquina se deberá limpiar cada día o cada semana.

1. Apagar la impresora.
2. Abrir la tapa superior.
3. Girar la palanca de apertura del cabezal de impresión para levantarlo.
4. Extraer de la impresora la cinta (si se usa) y el papel.
5. Limpiar los elementos de impresión del cabezal de impresión con el lápiz limpiador.
6. Limpiar el rodillo de cabezal, rodillo de presión inferior y rodillo de presión superior humedeciendo el lápiz limpiador con un poco de alcohol. Elimine la suciedad o las sustancias extrañas del interior de la impresora.

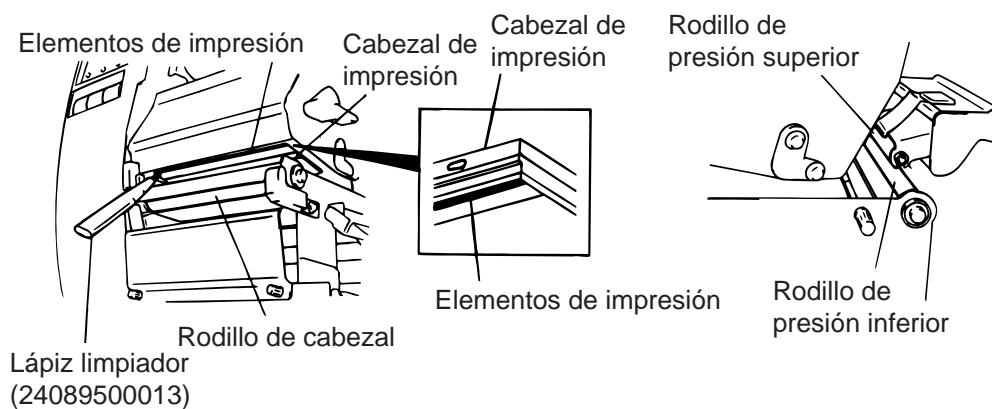


Fig. 10-1

ATENCIÓN!

1. Asegúrese de desconectar la impresora de la red.
2. No use herramientas que puedan dañar la impresora.
3. No arroje agua directamente sobre la impresora.

10.2 Panel y cubiertas

Limpiar la cubierta con un paño seco o ligeramente humedecido con algún producto limpiador.

ATENCIÓN: Limpiar las chapas con productos que carezcan de electricidad estática.

ATENCIÓN!

1. No arroje agua directamente sobre la impresora.
2. No aplique limpiadores o detergentes directamente sobre las cubiertas.
3. No use disolventes volátiles para limpiar las zonas plásticas.
4. Para limpiar la carcasa no use alcohol, ya que podría dañar parcial o totalmente los indicadores en ella situados.

10.3 Cómo quitar el papel atascado

1. Apague la impresora.
2. Abra la cubierta superior.
3. Girar la palanca de apertura del cabezal hasta el final de la posición ③, entonces podrá soltar la place de fijación de la cinta.
4. A fin de sacar la pletina guía quite el tornillo negro.
5. Extraiga el papel y la cinta (si se usa).
6. Extraiga el papel atascado. Para ello no use objetos que puedan dañar la impresora.
7. Limpie el cabezal usando el lápiz limpiador así como el rodillo del cabezal.
8. Sitúe la parte ② de la pletina guía sobre el sensor de papel y fíjela con el tornillo negro.

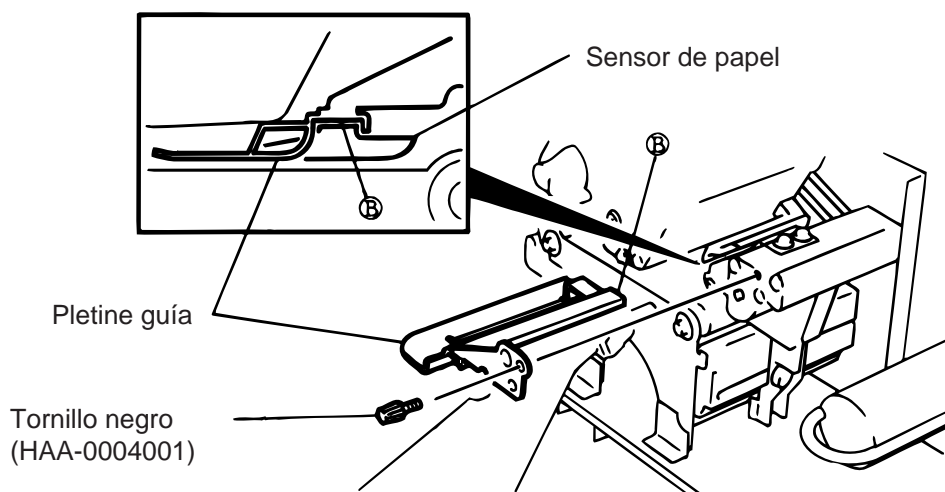


Fig. 10-2

9. Si la unidad cortadora se encuentra sucia o pegajosa, (por desprendimiento de parte del adhesivo de las etiquetas) puede producirse un atasco del papel al entrar en contacto con la unidad. Por esto se recomienda usar las etiquetas especificadas por TOSHIBA TEC. Si usted tiene frecuentemente atascos en el cortador contacte con su distribuidor autorizado.

■ Cómo limpiar la unidad cortadora

ATENCIÓN!

1. Asegurarse de que la impresora se encuentra apagada antes de empezar a limpiar.
2. Tener cuidado de no cortarse con las cuchillas.

1. Aflojar los dos tornillos de la cubierta frontal.
2. Sacar el tornillo blanco para extraer la guía del papel.
3. Quitar el papel atascado.
4. Limpiar toda la unidad con un paño seco.

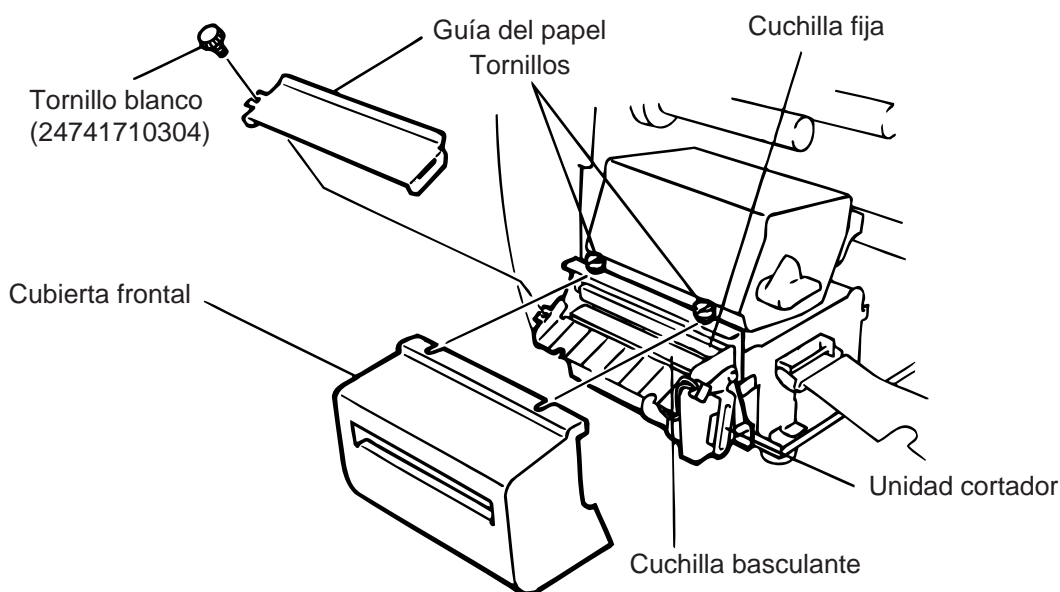


Fig. 10-3

5. Para volver a montar la unidad seguir los pasos anteriores en orden inverso.

■ Salvado automático de cinta

Esta función se activa actuando sobre los microinterruptores internos DIP SW (Ver página 4-1) y el área a no imprimir sea mayor de 20 mm.

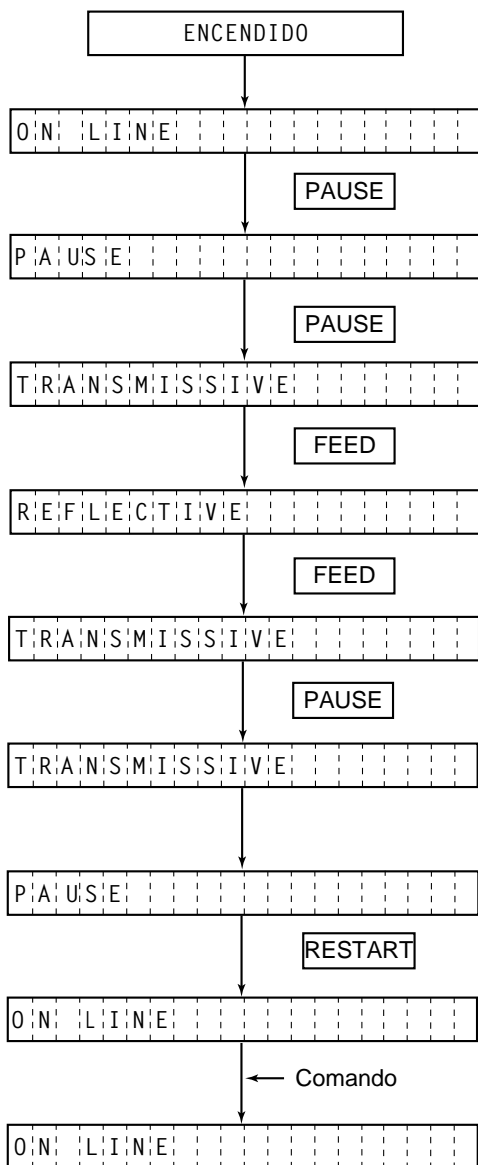
NOTA: Debido a la relación entre el diámetro de rebobinado de la cinta ya usada y la velocidad de impresión, la cantidad de cinta perdida por cada actuación del salvado automático se ilustra en la siguiente tabla:

Velocidad de impresión	Cinta perdida
3"/seg.	Approx. 5 mm
5"/seg.	Approx. 8 mm
8"/seg.	Approx. 17 mm

10.4 Configuración del umbral de etiqueta

Para empezar a imprimir etiquetas en una determinada posición, la cual va a ser fija, se usa el sensor de transparencia, el cual es usado para detectar el espacio entre etiquetas. Cuando usamos etiquetas preimpresas, el sensor puede que no detecte bien la posición correcta en la cual se va a empezar a imprimir, en este caso se debe configurar el umbral del sensor de transparencia operando sobre el panel de la impresora.

■ Procedimiento de fijación del umbral



- (1) La impresora está en reposo.
- (2) Coloque un rollo de etiquetas preimpresas de la forma habitual.
- (3) Pulse la tecla **[PAUSE]**.
- (4) La impresora entra en el estado de pausa.
- (5) Pulse y mantenga la tecla **[PAUSE]** en el estado de pausa.
- (6) Se muestra el tipo de sensor.
- (7) Pulse la tecla **[FEED]**.
- (8) Se selecciona el sensor reflectivo (sensor de marca negra).
- (9) Pulse la tecla **[FEED]** otra vez.
- (10) Se selecciona el sensor transmisor (sensor de transparencia).
- (11) Pulse y mantenga la tecla **[PAUSE]**.
- (12) Avanza el papel hasta que se suelta la tecla **[PAUSE]**.
- (13) Suelte la tecla **[PAUSE]** después de que hayan avanzado más de 1'5 etiquetas (cartulina).
(Se ha completado el ajuste de umbral)
- (14) Pulse la tecla **[RESTART]**.
- (15) La impresora está en reposo.
- (16) Envíe un comando de emisión desde el PC a la impresora.

NOTAS:

1. Si suelta la tecla **[PAUSE]** antes de 3 segundos en el estado de pausa, no se realiza el avance de papel.
2. Para ajustar el umbral adecuadamente, avance más de 1.5 o 2 etiquetas. Si no avanzan un número de etiquetas suficientes, el ajuste del umbral puede ser incorrecto.
3. No funciona la tecla **[PAUSE]** mientras el cabezal de impresión está levantado.
4. No se detectan errores de fin de papel ni de cortador durante el avance de papel.
5. La selección del sensor transmisor (para etiquetas preimpresas) en el comando de avance o de emisión, permite a la impresora detectar correctamente la posición inicial de impresión apropiada incluso cuando se utilizan etiquetas preimpresas.
6. Si la impresora no imprime en la posición correcta de impresión, incluso después del ajuste del umbral, ajuste el sensor de transparencia en el Modo Sistema. Después de eso, ajuste el valor del umbral otra vez. Asegúrese que ha seleccionado el sensor transmisor (para etiquetas preimpresas) en el comando de avance o de emisión.

11. SOLUCION DE ERRORES

ATENCIÓN!

Si su problema no se encuentra entre los expuestos en este apartado, no intente resolverlo por si mismo. Apague, desenchufe la impresora y contacte con su distribuidor autorizado para solicitar asistencia. No intente repararla usted.

Mensaje de error	Problema	Solución
ATASCO PAPEL ****	<ol style="list-style-type: none"> 1. El papel no está colocado correctamente. 2. Al hacer un avance de papel, éste se ha arrugado. 3. El papel instalado no concuerda con el tipo de sensor seleccionado. 4. La marca negra del papel no está colocada en la posición del sensor. 5. El tamaño del papel instalado es distinto del programado. 6. El sensor de transparencia no distingue entre el área de impresión y los espacios entre etiquetas. 	<ol style="list-style-type: none"> 1. Coloque bien el papel y pulse la tecla [RESTART]. 2. Extraiga el papel atascado y coloque papel nuevo, luego pulse la tecla [RESTART]. 3. Apague la impresora y luego vuelvala a encender, configure la impresora para que concuerden el tipo de papel y el sensor. 4. Coloque el papel correctamente y pulse la tecla [RESTART]. 5. Apague la impresora y vuelvala a encender. Programe bien el tamaño del papel. 6. Realice la configuración de umbral. Para ello ver página 10-4. Apague y llame a su distribuidor autorizado.
CABEZAL ABIERTO ****	El cabezal de impresión está levantado cuando intentamos imprimir o hacer un avance de papel.	Coloque el cabezal correctamente y pulse la tecla [RESTART] .
SIN PAPEL ****	El papel no está colocado.	Cargar papel y pulsar la tecla [RESTART] .
SIN CINTA ****	La cinta no está colocada.	Colocar cinta en la impresora y pulsar la tecla [RESTART] .
REBOBI. LLENO ****	El rebobinador de papel soporte está lleno.	Quite el papel soporte acumulado y pulse la tecla [RESTART] .

Mensaje de error	Problema	Solución
TEMP. CABEZA ALTA	El cabezal de impresión está muy caliente.	Apague la impresora y baje la temperatura del cabezal.
ERROR DE CABEZAL	Este mensaje aparece cuando se envía el comando de chequeo de los puntos del cabezal ([ESC] HD001 [LF] [NUL]) y la cabeza tiene algún elemento estropeado.	<ol style="list-style-type: none"> 1. Continúe la impresión con la tecla [RESTART]. 2. Cambie el cabezal de impresión. Llame a su distribuidor TOSHIBA TEC.
ERROR DE CINTA ****	Falla alguna de las partes del sensor de cinta.	Apague y llame a su distribuidor autorizado.
ERROR CORTADR ****	Papel atascado en la unidad cortadora.	Quite el papel atascado y coloque correctamente uno nuevo. Pulse la tecla [RESTART] . Apague y llame a su distribuidor autorizado.
ERROR ESCRITURA MR	Se ha producido un error al escribir en memoria rápida.	<ol style="list-style-type: none"> 1. Apague la impresora e inserte de nuevo la memoria rápida para volver a intentarlo. 2. Cambie de memoria rápida e inténtelo de nuevo. 3. Apague y llame a su distribuidor autorizado.
ERROR DE FORMATO	Error al intentar formatear una memoria rápida.	<ol style="list-style-type: none"> 1. Apague la impresora e inserte de nuevo la memoria rápida para volver a intentarlo. 2. Cambie de memoria rápida e inténtelo de nuevo. 3. Apague y llame a su distribuidor autorizado.
MEMORIA INSUF.	No pueden salvarse más datos en la memoria.	Sustituya la tarjeta por una nueva. Envíe los datos desde donde se produjo el error. (Sólo se pueden utilizar tarjetas de 1MB y 4MB.)
ERROR COMUNICACION	Error en el interface serie.	Apague la impresora y vuelvala a encender de nuevo, o presione la tecla [RESTART] . Revise su programa. Llame a su distribuidor autorizado si es necesario.

Mensaje de error	Problema	Solución
ejemplo) PC001; 0A00, Comando de error 0300, 2, 2	Cuando el programa del comando de comunicaciones produce un error, el código de comando muestra 20 bytes. ([LE], [NULL] no se muestran)	Rectifique el comando y envíelo de nuevo.
Otro mensaje de error	Error de software y/o hardware.	Apague la impresora y vuelvala a encender. Si el problema persiste, apague y contacte con su distribuidor autorizado.
<p>ATENCIÓN: Si un error no es eliminado pulsando la tecla [RESTART], apague la impresora y vuelvala a encender. Cuando se vuelva a encender la impresora, los datos que iban a ser impresos se pierden.</p> <p>La señal **** indica la cantidad de papel que no ha sido impreso.</p>		

Problema	Solución
No imprime	<ol style="list-style-type: none"> 1. Comprobar que el papel y la cinta estén colocados correctamente. 2. Confirmar que el cabezal de impresión se encuentra en la posición correcta. 3. Chequear que el cable del interfaz esté bien colocado.
Hay puntos que no se imprimen	Cabezal de impresión sucio. Límpiase el cabezal. Llame a su distribuidor autorizado si es necesario.
Impresión borrosa	<ol style="list-style-type: none"> 1. Cabezal de impresión sucio. Límpiase el cabezal. 2. Cinta defectuosa. Colóquese una cinta nueva. 3. Papel en mal estado. Cargue un papel nuevo.
La impresora no se enciende	<ol style="list-style-type: none"> 1. Compruebe que esté bien insertado el cable de alimentación a la red. 2. Observe la posición del interruptor. 3. Confirme que la tensión de alimentación sea la correcta. (Compruébelo colocando otra máquina). Llame a su distribuidor autorizado si es necesario.
No actúa el cortador	<ol style="list-style-type: none"> 1. Fíjese si la impresora está encendida. 2. Compruebe que no se ha atascado el papel en la unidad cortadora. Llame a su distribuidor autorizado si es necesario.
El papel se levanta en el corte	<ol style="list-style-type: none"> 1. Limpie las cuchillas. 2. Las cuchillas están calientes, deje que se enfríen. Llame a su distribuidor autorizado.

TEC

TEC Thermische Drukker

B-570-QP SERIES

Gebruikershandleiding

Samenvatting veiligheid

De veiligheid van personen tijdens het gebruik of het onderhoud van de uitrusting is van heel groot belang. Verwittigingen en voorschriften die nodig zijn voor een veilig gebruik werden opgenomen in deze handleiding. Alle verwittigingen en voorschriften die deze handleiding bevat moeten zorgvuldig gelezen en begrepen zijn alvorens deze uitrusting te gebruiken of te onderhouden.

Herstel of wijzig deze uitrusting niet zelf. Indien een fout zich voordoet dat niet kan verholpen worden met behulp van de werkwijzen die in deze handleiding beschreven worden, zet dan het toestel af, haal de stekker uit het stopcontact en stel u in verbinding met een erkende TOSHIBA TEC verdeler voor bijstand.

Betekenis van de symbolen



Dit symbool geeft aan dat het een waarschuwing betreft. Specifieke waarschuwingen zijn in de \triangle symbool getekend. (Het symbool links geeft een algemene waarschuwing.)



Dit symbool duidt op verboden handelingen (gebruiks-voorwerpen). Specifieke verboden handelingen en voorwerpen zijn in of bij het \odot symbool getekend. (Het symbool links betekent "verboden te demonteren".)



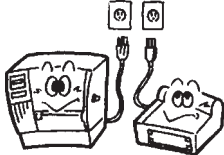
Dit symbool geeft aan dat bepaalde handelingen moeten worden uitgevoerd. Specifieke aanwijzingen worden met een \bullet symbool weergegeven. (Het symbool links betekent "haal de stekker uit het stopcontact")



WAARSCHUWING Duidt op groot gevaar voor **ernstige persoonlijke letsels** en mogelijk zelfs **doodsgevaar**.



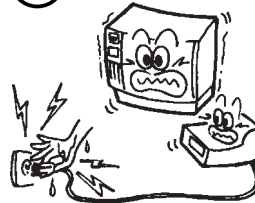
Verboden aan te sluiten op een andere spanning dan aangegeven (wisselstroom).



■ Sluit nooit aan op een andere spanning (wisselstroom) dan aangegeven op het voltage label. Een verkeerde spanning kan oorzak zijn van **brand** of **elektrische schokken**.



Verboden



■ Sluit geen toestel aan en haal geen stekker uit het stopcontact met natte handen. Dit levert een groot gevaar op voor **elektrische schokken**.



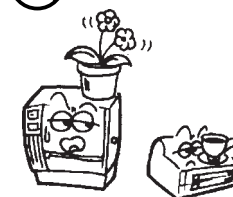
Verboden



■ Het aansluiten van verschillende toestellen op éénzelfde voeding kan leiden tot spanningsverschillen en bijgevolg een slechte werking van de toestellen. Gebruik dus een apart stopcontact voor elk toestel.



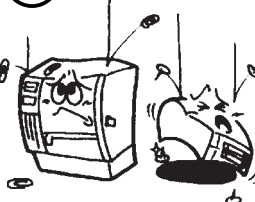
Verboden



■ Plaats geen metalen voorwerpen of bakjes met water zoals bloemenbazen, planten of glazen, op de machines. Er bestaat namelijk kans op **brand** of een **elektrische schok** indien metalen voorwerpen of vocht in de machines terecht komen.



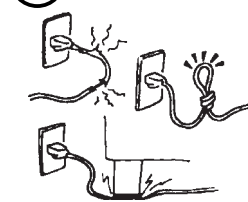
Verboden



■ Steek geen metaal, ontvlambare of andere vreemde voorwerpen door de ventilatie-openingen. Dit kan brand of elektrische schokken teweegbrengen. Zorg er tevens voor dat zulke voorwerpen niet per ongeluk in de toestellen kunnen vallen.



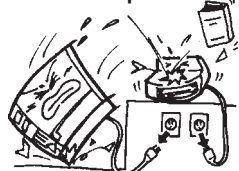
Verboden



■ Beschadig of wijzig de netsnoeren niet. Plaats geen zware voorwerpen op de snoeren, trek er niet aan en knik de snoeren niet. Dit alles kan aanleiding geven tot **elektrische schokken** en **brand**.



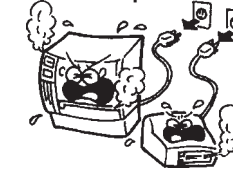
Haal de stekker uit het stopcontact.






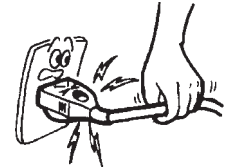

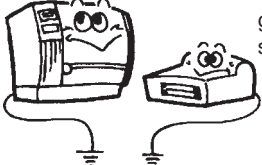

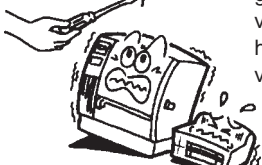
■ Zet het toestel af en haal vervolgens de stekker uit het stopcontact indien het toestel is gevallen of de behuizingen beschadigd zijn en stel u in verbinding met een erkende TOSHIBA TEC verdeler voor bijstand. Het gebruik van het toestel onder deze omstandigheden kan aanleiding geven tot **brand** of **elektrische schokken**.



Haal de stekker uit het stopcontact.



■ Doorlopend gebruik van toestellen onder abnormale omstandigheden, zoals rook- of geurontwikkeling houdt gevaar in voor brand en elektrische schokken. Indien iets niet in orde lijkt moet u het toestel onmiddellijk afzetten en de stekker uit het stopcontact halen. Laat u vervolgens bijstaan door een erkende TOSHIBA TEC verdeler.

 <p>Haal de stekker uit het stopcontact.</p>  <p>■ Zet het toestel af en haal vervolgens de stekker uit het stopcontact indien vreemde voorwerpen (metalen voorwerpen, vloeistoffen) in het toestel zijn gevallen en stel u in verbinding met een erkende TOSHIBA TEC verdeler voor bijstand. Het gebruik van het toestel onder deze omstandigheden kan aanleiding geven tot brand of elektrische schokken.</p>	 <p>Haal de stekker uit het stopcontact.</p>  <p>■ Trek niet aan het snoer om een stekker uit een stopcontact te halen. Dit kan het snoer beschadigen en de kernraden blootleggen zodat gevaar voor brand en elektrische schokken ontstaat.</p>
 <p>Sluit een aarddraad aan.</p>  <p>■ Sluit steeds aan op een aarding. Verlengsnoeren moeten geaard zijn. Verlies van stroom kan aanleiding geven tot brand of elektrische schokken.</p>	 <p>Niet demonteren!</p>  <p>■ Verwijder geen kappen, herstel of wijzig het toestel niet zelf. U loopt gevaar op elektrische schokken of verwondingen t.g.v. een hoog voltage, hete onderdelen, scherpe randen die voorkomen in het toestel.</p>



LET OP

Duidt op groot gevaar voor **persoonlijke letsels** en beschadiging van de apparatuur.

Voorzorgen

Onderstaande voorschriften dragen bij tot een duurzame en goede werking van het toestel.

- Vermijd plaatsen die blootgesteld zijn aan volgende omstandigheden:

* Temperaturen zoals opgegeven (gespecificeerd)	* Rechtstreeks zonlicht	* Hoge vochtigheid
* Gemeenschappelijke elektrische voeding	* Trillingen	* Stof/gas
- Reinig de kappen met een doek die ondergedompeld werd in een zacht detergent en vervolgens goed uitgewrongen werd. Gebruik geen thinner of andere vluchtige middelen op de plastic kappen.
- Gebruik enkel door TOSHIBA TEC aanbevolen papier en linten.
- Bewaar geen papier of linten op plaatsen met rechtstreeks zonlicht, hoge temperaturen, vochtigheid, stof of gassen.
- De drukker moet gebruikt worden op een effen oppervlak.
- Gegevens opgeslagen in het geheugen van de drukker kunnen n.a.v. een fout verloren gaan.
- Sluit de drukker niet aan op dezelfde voeding als andere elektrische apparatuur, de spanning kan hierdoor wijzigen en aanleiding geven tot een verkeerde werking van het toestel.
- Haal de stekker uit het stopcontact voor elke handeling aan de binnenzijde van het toestel of wanneer u het toestel reinigt.
- Schakel de machine uit voor elke handeling aan de binnenzijde van de machine.
- Plaats geen zware voorwerpen op de machines daar deze voorwerpen mogelijk uit baalans zouden kunnen raken, omvallen en ongelukken veroorzaken.
- Voorkom oververhitting en mogelijk brand en blokkeer derhalve de ventilatie-openingen van de machines niet.
- Leun niet tegen het toestel. Het toestel kan op u vallen of kantelen en u verwonden. Leun niet tegen het toestel. Het kan op u vallen en u verwonden en/of defect worden.
- Let op het mes voor verwondingen.
- Haal de stekker uit het stopcontact wanneer het toestel lang niet gebruikt wordt.

Raadgeving betreffende het onderhoud

- Maak gebruik van onze onderhoudsdiensten.
Doe minstens éénmaal per jaar beroep op een TOSHIBA TEC verantwoordelijke om de binnenzijde van het toestel te laten reinigen. Een overdadige ophoping van stof in het toestel kan aanleiding geven tot brand of een verkeerde werking van het toestel.
- De onderhoudsdienst controleert en voert regelmatig de nodige werken uit teneinde een goede werking van het toestel te verzekeren en ongevallen te voorkomen.
Voor meer inlichtingen kunt u zich wenden tot een TOSHIBA TEC verantwoordelijke.
- Gebruik van insecticiden en andere chemicaliën.
Stel de drukker niet bloot aan insecticiden of andere vluchtige middelen. Deze producten kunnen de behuizing beschadigen of de verf aantasten.

INHOUDSTAFEL

	Pagina
1. INLEIDING	N1- 1
1.1 Omschrijving van typenummer	N1- 1
1.2 Toebehoren	N1- 1
2. KENMERKEN	N2- 1
2.1 Drukker	N2- 1
2.2 Optie	N2- 1
2.3 Papier	N2- 2
2.4 Linten	N2- 2
3. OVERZICHT	N3- 1
3.1 Voor-en Achterzijde	N3- 1
3.2 Bedieningsbord	N3- 1
4. DIP-SCHAKELAAR	N4- 1
5. INSTALLATIE VAN DE DRUKKER	N5- 1
5.1 Connectie van het elektrisch snoer en de kabels	N5- 1
5.2 Bevestiging van de ventilator filter	N5- 1
6. HET LADEN VAN PAPIER	N6- 1
7. HET LADEN VAN LINT	N7- 1
8. INSTALLATIE VAN DE “FLASH GEHEUGEN” KAART (Optie)	N8- 1
9. VOORZORGEN EN BEHANDELING VAN HET VERBRUIKSMATERIAAL .	N9- 1
10. ONDERHOUD	N10- 1
10.1 Reiniging	N10- 1
10.2 Beschermingsvlakken en deksels	N10- 2
10.3 Papieropstopping	N10- 2
10.4 Instelling van de voedingholte	N10- 4
11. MOGELIJKE PROBLEMEN	N11- 1

WAARSCHUWING:

1. *Het is verboden deze handleiding volleding of gedeeltelijk te kopiëren.*
2. *De inhoud van deze handleiding kan zonder voorafgaande verwittiging gewijzigd worden.*
3. *Indien u vragen heeft of in geval van drukfouten, contacteer een erkende verdeler.*

1. INLEIDING

Wij feliciteren u met uw keuze voor een thermische drukker TEC B-570. De B-570 met ingesloten media rollen is geschikt voor het drukken in de meest benarde situaties. Door zijn uitstekende prijs/kwaliteitsverhouding en recentste technologie behoort deze drukker tot het topniveau van de drukkers van de nieuwe generatie. De nieuwe drukkop drukt tegen een snelheid van maximum 203.2 mm per seconde en biedt afdrucken van bijzonder hoge kwaliteit met een drukdensiteit van 12 punten per mm. De drukker is standaard uitgerust met een automatische lintbespaarder, een ingebouwd oprol-en afpelmechanisme. De in optie voorziene PC interface kaart is in staat al uw specifieke eisen in te willigen.

Deze handleiding verschaft informatie over de algemene instelling en het onderhoud van de drukker. Wij raden u aan deze handleiding zorgvuldig door te nemen om een optimaal gebruik van uw drukker te bekomen. Grote aandacht werd besteed aan de veiligheid, zodat verkeerde handelingen de drukker niet kunnen beschadigen.

Bewaar deze handleiding zorgvuldig als referentie.

WARNING!

This is a Class A product. In a domestic environment this product may cause radio interference in which case the user may be required to take adequate measures.

WAARSCHUWING:

Let op voor kwetsuren en verplettering van uw vingers bij het openen en sluiten van kap.

WAARSCHUWING:

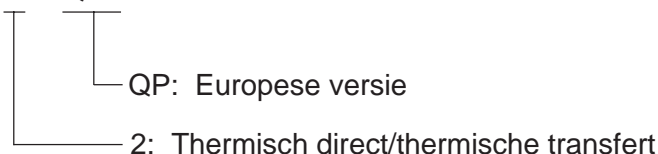
Reak geen bewegende delen aan. Plaats de schakelaar op OFF om elke beweging te stoppen en het risico dat vingers, juwelen, kleding enz. door een bewegend deel gevangen worden uit te sluiten.

1.1 Omschrijving van typenummer

- B-572-QP

Beschrijving van de naam van het model:

B - 5 7 2 - Q P

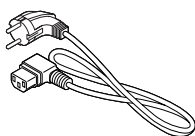


1.2 Toebehoren

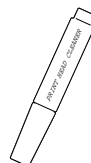
Gebruikershandleiding
(EM1-33031)



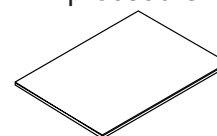
Electrisch snoer



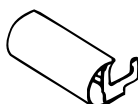
Drukkop reiniger
(24089500013)



Uitpakkings-
procedure



Oprol-geleidersplaat
(FMBD0034501)



Ventilator filter
(FMBB0036801)



Vijs
(SM-4x6B)



2. KENMERKEN

2.1 Drukker

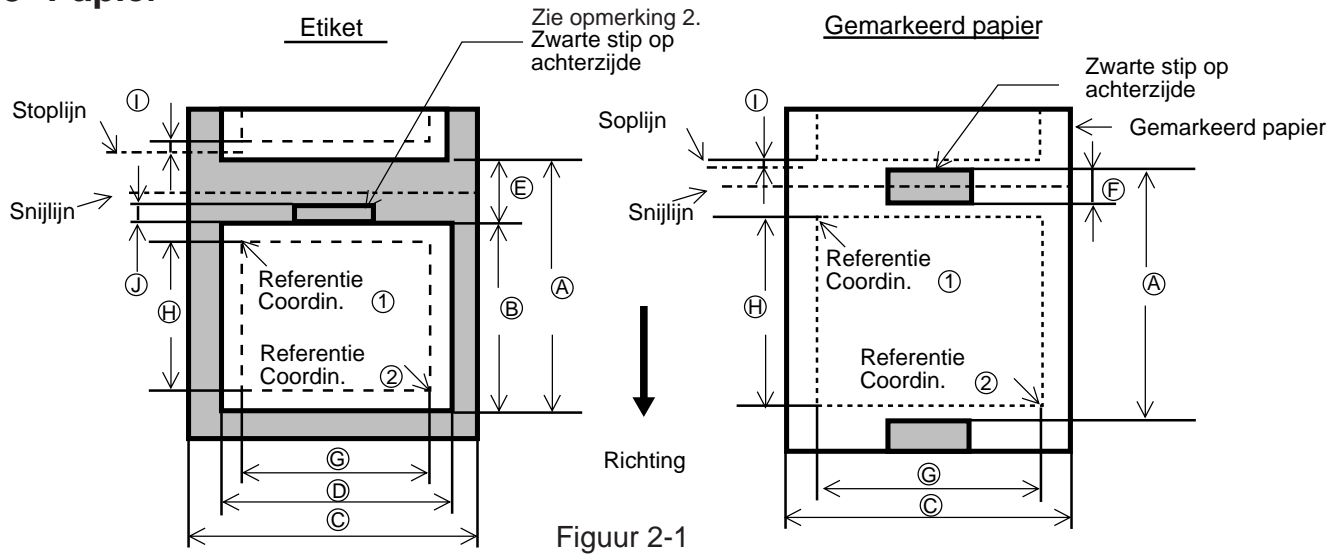
Naam	Model	B-570-QP
Voeding		AC 220V ~ 240V +10%, -15%, 50Mhz + 2Mhz, - 2Mhz
Verbruik		198W maximum (51W: Standby)
Temperatuurslimiet		5°C ~ 40°C
Relatieve vochtigheid		25% ~ 85%RH (zonder condensatie)
Drukkop		Thermische drukkop (12 punten/mm)
Drukmethode		Thermisch direct/Thermische overdracht
Druksnelheid		76.2 mm/seconde, 127 mm/seconde, 203.2 mm/seconde,
Drukbreedte		127.5 mm
Verdeling van de etiketten		Batch, afpel mode, snijmode (snijmode beschikbaar na installatie van het snijmechanisme)
Scherm voor berichten		20 karakters x 1 lijn (LCD)
Afmetingen		291 mm (B) x 460 mm (D) x 308 mm (H)
Gewicht		19 kg
Bar code formaat		JAN8, JAN13, EAN8, EAN8 + 2digits, EAN8 + 5digits EAN13, EAN13 + 2digits, EAN13 + 5digits UPC-E, UPC-E + 2digits, UPC-E + 5digits, UPC-A, UPC-A + 2digits, UPC-A + 5digits, MSI, ITF, NW-7, CODE39, CODE93, CODE128, EAN128 PDF417, DATA MATRIX, Industrial 2 to 5
Lettertype		Times Roman (6 types), Helvetica (6 types), Presentation (1 type), Gothic (1 type), Prestige Elite (2 types), Courier (2 types), OCR (2 types), Geschreven karakters (40 types), Uitlijning (1 type)
Rotatie		0°, 90°, 180°, 270°
Interface standaard		Serieel (RS-232C) Parallel (Centronics) I/O interface Flash geheugen interface
Optie		PC interface voor snelle verwerking

2.2 Optie

Option Name	Type	Usage	Oorsprong
Snijmodule	B-4203-QM	Een zwaimesmechanisme stopt en snijdt.	Zie OPMERKING 1
PC interface kit voor snelle verwerking	B-4800-PC-QM	Dit interface bord zorgt voor een snelle transmissie van instructies en afdrukgegevens.	Zie OPMERKING 1
Papierleider voor kettingpapier	B-4903-FF-QM	Uitsluitend voor kettingpapier	Zie OPMERKING 1
D-RAM PC bord het beelden	FMBC0067801	Een 2 MB RAM uitbreiding die vermogen van de printer om te behandelen verhoogt.	Zie OPMERKING 2
Flash Geheugen Kaart	—————	Flash ROM kaart (1MB en 4MB) voor opslag van logo's, fonts en formaten.	Zie OPMERKING 3

- OPMERKINGEN:**
1. Beschikbaar bij uw dichtst bijzijnde TOSHIBA TEC verdeler of TOSHIBA TEC hoofdzetel.
 2. Beschikbaar bij TOSHIBA TEC verdeelcentrum wisselstukken.
 3. Indien u een flash geheugenkaart lokaal wenst aan te kopen, moet u rekening houden met de eigenschappen die beschreven zijn op bladzijde 8-1.

2.3 Papier



Figuur 2-1

[Eenheid: mm]

Verdeling van de etiketten		Batch mode	Apfelmode	Snijmode	
Beschrijving					
A : Spanwijdte van één etiket/gemarkeerd papier		10.0 ~ 999.0	25.4 ~ 999.0	Etiket: 38 ~ 999.0 Gemarkeerd: 25.4 ~ 999.0	
B : Lengte van één etiket		8.0 ~ 997.0	23.4 ~ 997.0	25.0 ~ 993.0	
C : Breedte van het gemarkeerd papier			25.4 ~ 88.0		
D : Breedte van een etiket			22.4 ~ 85.0		
E : Spatie tussen twee etiketten		2.0 ~ 20.0	2.0 ~ 20.0	6.0 ~ 20.0	
F : Afstand tussen twee zwarte stippen (Gemarkeerd papier)			2.0 ~ 10.0		
G : Werkelijke afdrubreedte			10.0 ~ 79.68		
H : Werkelijke afdruk- lengte	Etiket	Standaard	6.0 ~ 256.0	21.4 ~ 256.0	23.0 ~ 256.0
		Max. met geheugen module	6.0 ~ 995.0	21.4 ~ 995.0	23.0 ~ 991.0
	Gemarkeerd papier	Standaard	8.0 ~ 256.0	23.4 ~ 256.0	23.4 ~ 256.0
		Max. met geheugen module	8.0 ~ 997.0	23.4 ~ 997.0	23.4 ~ 997.0
I : Druksnelheid opwaarts/neerwaarts			1.0		
J : Afstand tussen twee zwarte stippen (Etiket)			Zie opmerking 2.		
Werkelijke lengte gecombineerde druk		Standaard	128.0		
		Max. met geheugen module	640.0		
Externe diameter			ø200 (Max.)		
Dikte	Etiket		0.13 ~ 0.17		
	Gemarkeerd papier		0.15 ~ 0.29		

- OPMERKING:**
- Overige kenmerken van de media zijn ongewijzigd.
 - Specificaties zwarte stippen.
Indien de spatie tussen de etiketten kleiner is dan 4 mm, moet de zwarte stip hoger zijn dan 4mm.
Indien de spatie tussen de etiketten groter is dan 4 mm, mag de zwarte stip het volgende etiket niet meer dan 4mm overlappen.

2.4 Linten

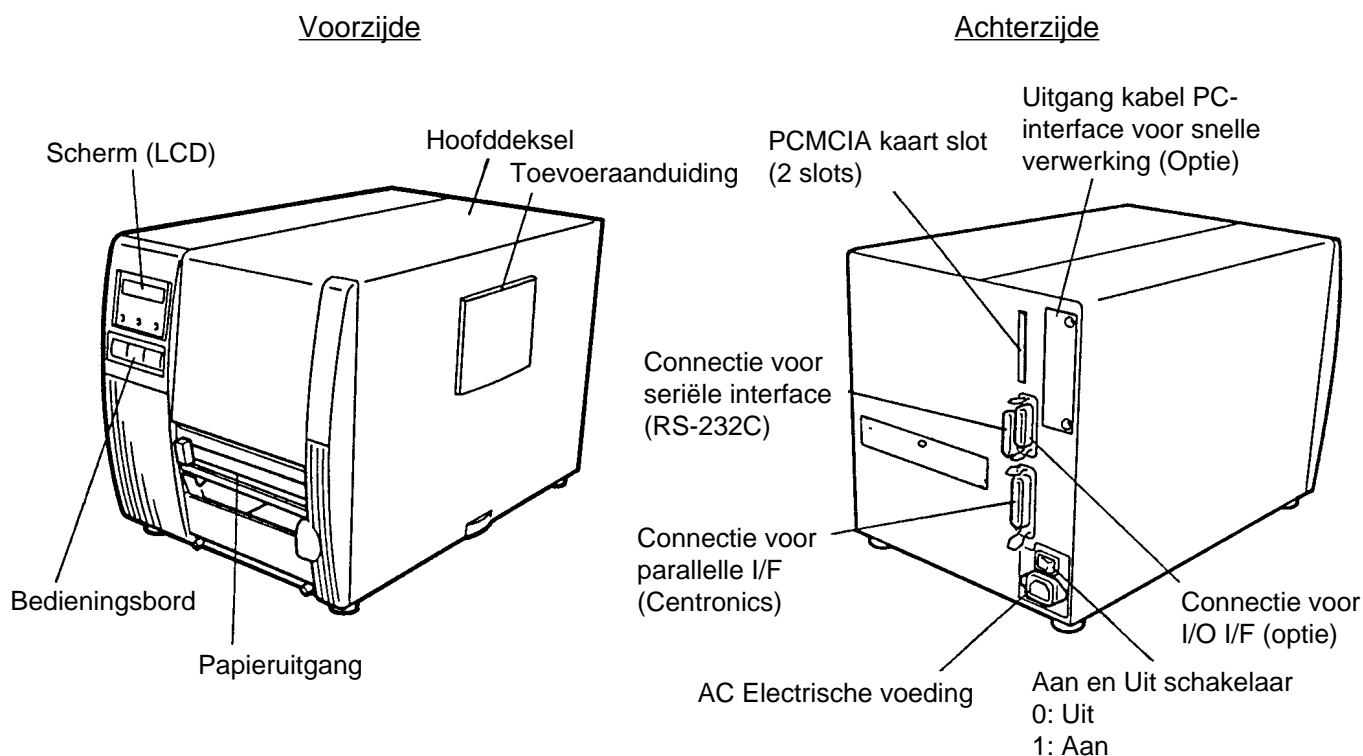
Type	Spoeltype
Breedte	68 mm ~ 134 mm
Lengte	600 m
Externe diameter	ø90 mm (max.)

OPMERKING:

- Gecombineerde druk betekent dat de volgende etiket reeds aangemaakt wordt in geheugen terwijl de drukker de vorige etiket nog aan het drukker is.
- Gebruik steeds door TOSHIBA TEC aanbevolen papier en linten om een betere drukkwaliteit te te bekomen en de levensduur van de drukkop te verhogen.
- In snijmode moeten etiketten gebruikt worden waarvan de lengte (B) vermeerderd tot de helft van de spatie met de volgende etiket groter is dan 35 mm.
- De rol etiketten die rond de oprolas gewonden wordt, moet een externe diameter hebben die kleiner is 180 mm.
- Indien met ruwe materie gebruikt en de lintbesparing is aangezet, kan dit leiden tot zwarte strepen op het etiket.

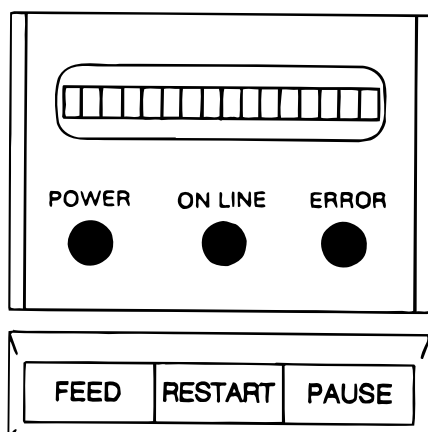
3. OVERZICHT

3.1 Voor - en Achterzijde



Figuur 3-1

3.2 Bedieningsbord



Figuur 3-2

LCD SCHERM

Berichtgeving in de taal die geselecteerd werd met de DIP-schakelaar. "In lijn" verschijnt op het scherm nadat de drukker aangezet wordt en gereed is voor het drukken.

POWER LED (Groen)

Licht op wanneer de drukker aangezet wordt.

ON-LINE LED (Groen)

1) Flikkert wanneer de drukker in verbinding staat met een computer.

2) Licht op wanneer de drukker drukt.

ERROR LED (Rood)

Licht op bij een communicatie probleem, bij een tekort aan verbruiksmateriaal of wanneer de drukker niet werkt zoals het hoort.

FEED Toets

Om papier aan te voeren.

RESTART Toets

Start de printer opnieuw op na een pauze of fout. Wordt gebruikt om de papiersensor in te stellen. (Zie pagina 10-4.)

PAUSE Toets

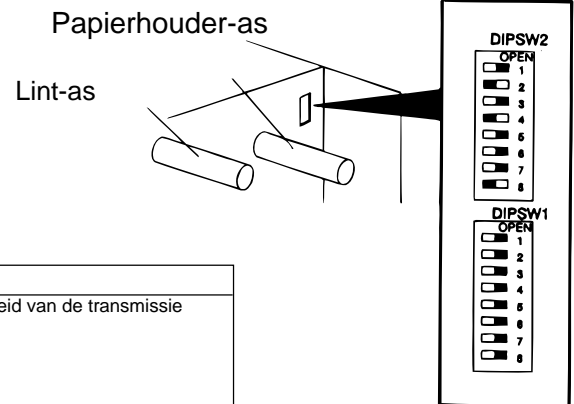
Om het drukken tijdelijk te stoppen. Het bericht "PAUSE" verschijnt op het scherm samen met het niet afgedrukt aantal. Wordt gebruikt om de papiersensor in te stellen. (Zie pagina 10-4.)

4. DIP-SCHAKELAAR

Deze schakelaar bevindt zich rechts van de papierhouder-as.

WAARSCHUWING!

Zet eerst de printer af om deze schakelaar in te stellen.



Figuur 4-1

(1) DIP-Schakelaar 2

Nr	ON/OFF		Functie	
	1	2		
1	OFF	OFF	2400 BPS	Snelheid van de transmissie
	ON	ON	4800 BPS	
2	OFF	OFF	9600 BPS	
	ON	ON	19200 BPS	
3	OFF	1 bit	Aantal stop bits	
	ON	2 bits		
4	OFF	7 bits	Data lengte	
	ON	8 bits		
5	OFF	Geen	Pariteit	
	ON	Met		
6	OFF	Even	Pariteit (effectief wanneer DIP-schakelaar op ON staat)	
	ON	Oneven		
7	7	8	Gegevens protocol	
	OFF	OFF		XON/XOFF (Geen XON bij het aanzetten van drukker.) (Geen XOFF bij het aanzetten van drukker.)
8	ON	OFF	READY/BUSY (DTR) (Geen XON bij het aanzetten van drukker.) (Geen XOFF bij het aanzetten van drukker.) READY/BUSY (RTS) (Geen XON bij het aanzetten van drukker.) (Geen XOFF bij het aanzetten van drukker.)	
	OFF	ON	XON/XOFF + READY/BUSY (DTR) (Geen XON bij het aanzetten van drukker.) (Geen XOFF bij het aanzetten van drukker.)	
	ON	ON	XON/XOFF (Geen XON bij het aanzetten van drukker.) (Geen XOFF bij het aanzetten van drukker.)	

(2) DIP-Schakelaar 1

Nr	ON/OFF			Functie	
	2	3	4		
1	OFF			Zonder	Automatische Lintbespaarder
	ON			Met	
2	OFF	OFF	OFF	Engels	Taal waarin de foutmeldingen op het LCD scherm zullen verschijnen.
	ON	OFF	OFF	Duits	
3	OFF	ON	OFF	Frans	
	ON	ON	OFF	Nederlands	
4	OFF	OFF	ON	Spaans	
	ON	OFF	ON	Japanees	
	OFF	ON	ON	Italiaans	
	ON	ON	ON	Niet gebruikt	
5	OFF			Zonder	Automatische aanvoer van media na snijbeweging. (Zie pagina 6-5)
	ON			Met	
6	OFF			Zonder	Gebruik interne opwickelaar/opheffen thermal head bij snij mode.
	ON			Met	
7	OFF			Moet op OFF staan	
	ON				
8	OFF			Moet op OFF staan	
	ON				

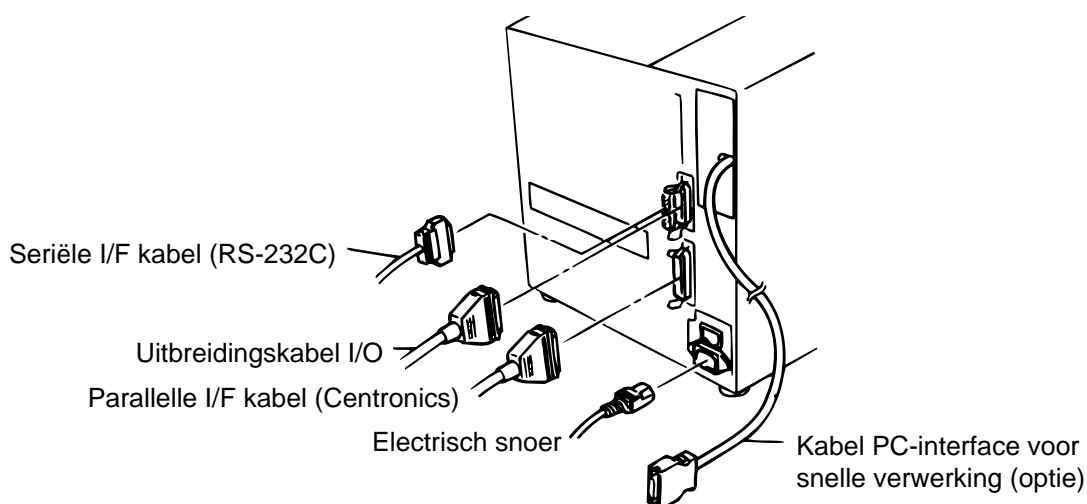
- OPMERKING:**
- De standaardinstellingen worden aangeduid door een schaduwkleur. "OFF" betekent "OPEN".
 - Dip schakelaar nr. 6: Functie afhankelijk van de geïnstalleerde opties.
 - Indien u wenst over te schakelen naar een READY/BUSY (DTR) of READY/BUSY (RTS) data protocol moet u zich in verbinding stellen met een TOSHIBA TEC verantwoordelijke.

5. INSTALLATIE VAN DE DRUKKER

5.1 Connectie van het elektrisch snoer en de kabels

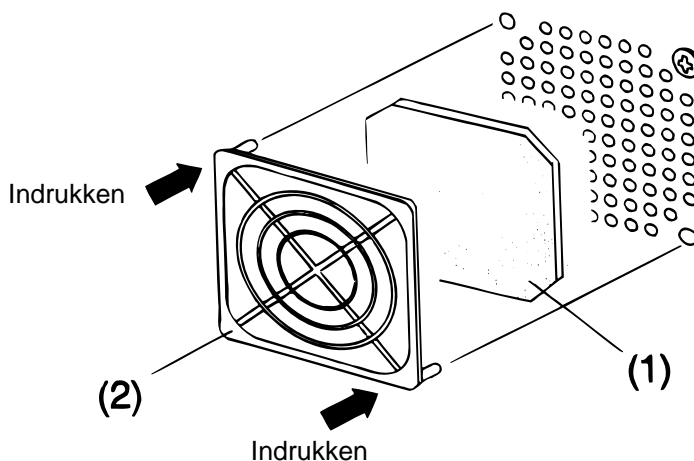
WAARSCHUWING!

Zet eerst de printer af (schakelaar op "OFF") om het elektrisch snoer en de kabels te installeren.



Figuur 5-1

5.2 Bevestiging van de ventilator filter



Figuur 5-2

Voor men de drukker gebruikt, is het belangrijk om na te gaan of de ventilator filter degelijk geplaatst werd.

De filter bestaat uit twee delen:

- (1) filterhouder
- (2) filtervilt

Plaats het vilt op de filterhouder en druk het geheel zoals hierboven wordt aangegeven, zodat de staafjes van de houder perfect in de gaatjes passen.

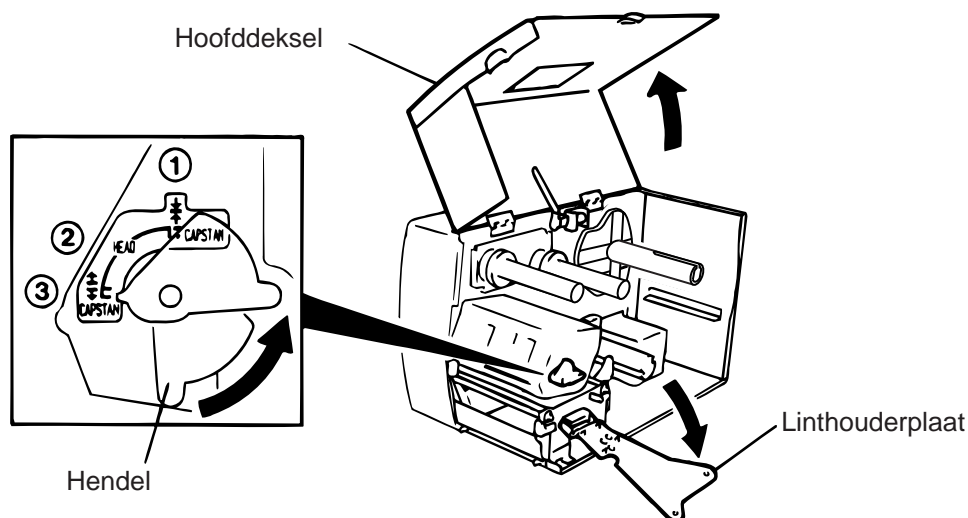
6. HET LADEN VAN PAPIER

WAARSCHUWING!

1. *Reak geen bewegende delen aan. Plaats de schakelaar op OFF om elke beweging te stoppen en het risico dat vingers, juwelen, kleding enz. door een bewegend deel gevangen worden uit te sluiten.*
2. *Let op voor kwetsuren en verplettering van uw vingers bij het openen en sluiten van de kap.*

De drukker kan zowel etiketten als gemarkeerd papier bedrukken.

1. Zet de drukker af en open het deksel.
2. Breng de drukkophendel op positie ③ en maak vervolgens de linthouderplaat vrij.

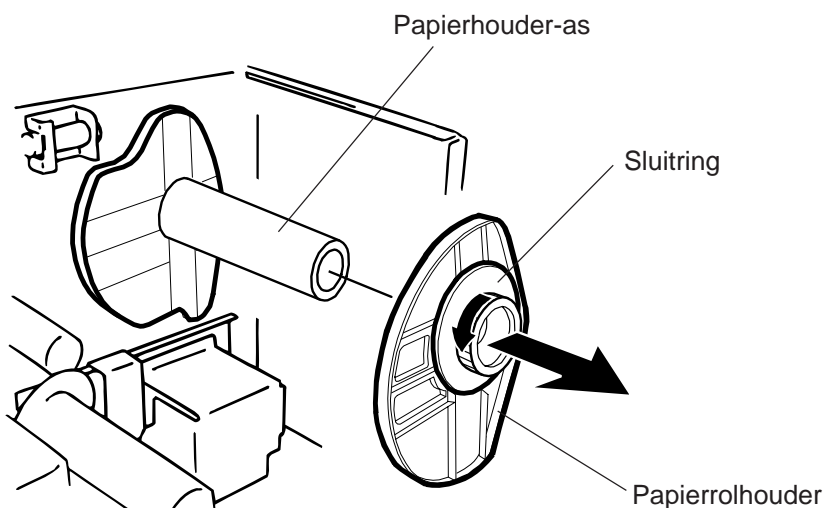


Figuur 6-1

- OPMERKINGEN:**
1. *De drukkop opent zich op het ogenblik dat de drukkophendel op positie ② gebracht wordt.*
 2. *De drukkop en de rolknijper openen zich op het ogenblik dat de drukkophendel op positie ③ gebracht wordt.*
 3. *De drukkophendel moet op positie ① staan om af te drukken. (In deze positie liggen de drukkop en de knijper vast.)*

3. Draai de sluitring tegenwijzerszin en verwijder de mediahouder van de voedingsas.

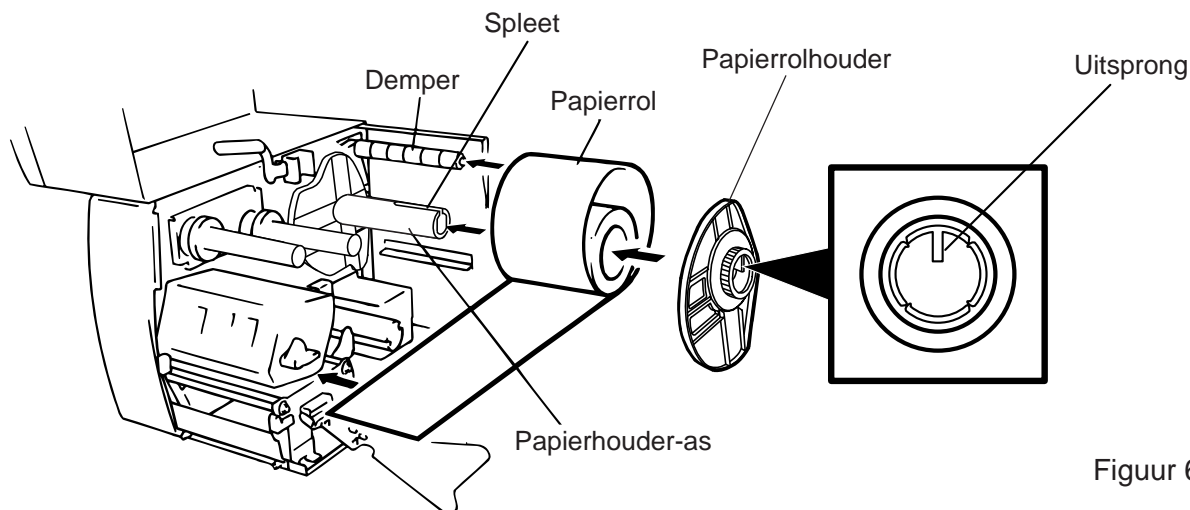
OPMERKING: *Draai de sluitring niet te ver tegenwijzerszin of de ring zal van de mediahouder afglijden.*



Figuur 6-2

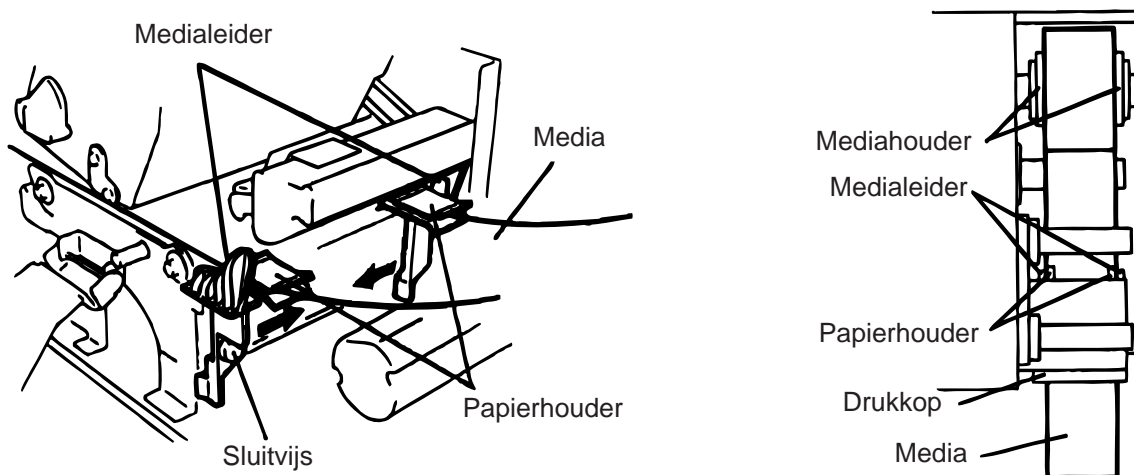
4. Breng het papier op de papierhouder-as.
5. Plaats het papier rond de trekregelaar, trek dan het papier naar de voorkant van de printer tot onder de printkop. Bevestig de andere papierrolhouder.
6. Duw de uitsprong van de mediahouder in de spleet van voedingsas tot de media niet meer kan bewegen. Draai vervolgens de sluitring wijzerszin om de mediahouder vast te maken. Hierbij wordt de media automatisch gecentreerd.

OPMERKING: Draai de sluitring van de mediahouder niet te vast.



Figuur 6-3

7. Breng de media tussen de papierhouders van de medialeider. Regel de medialeiders in functie van de breedte van de media en draai de desbetreffende vijs vast.
8. Zorg ervoor dat het papier vanaf het begin tot het einde in een rechte lijn doorgevoerd wordt.



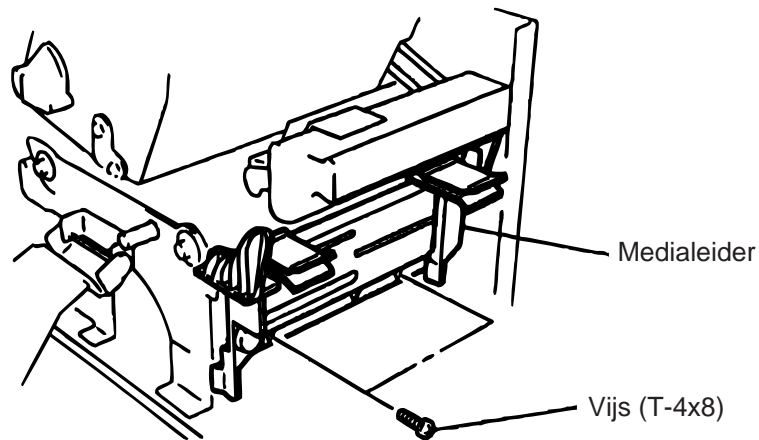
Figuur 6-4

OPMERKING: Indien de etiketten op de buitenkant van de rol staan, moeten de bovenplaten van de twee papierhouders verwijderd worden d.m.v. volgende procedure, zoniet is het risico op papieropstopping groot.

Mocht u vragen hebben, stel u in verbinding met uw TOSHIBA TEC verantwoordelijke.

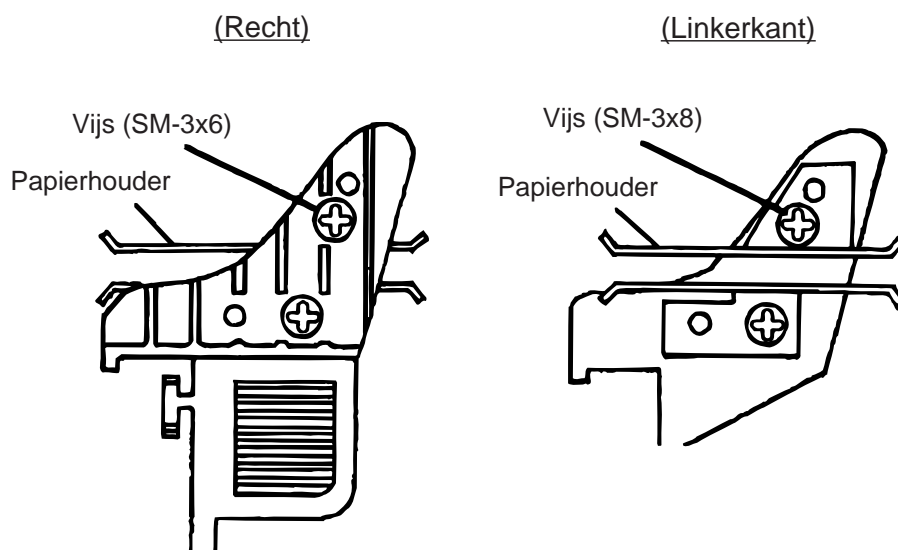
■ Verwijdering van de bovenplaten van de papierhouders op de medialeider

- ① Verwijder de twee T-4 X 8 vijzen om de medialeider los te maken van de drukker.



Figuur 6-5

- ② Verwijder de SM-3 x 6 of SM-3 x 8 vijzen om de platen van de papierhouders los te maken van de medialeider.



Figuur 6-6

- ③ Zet de medialeider terug op zijn plaats.

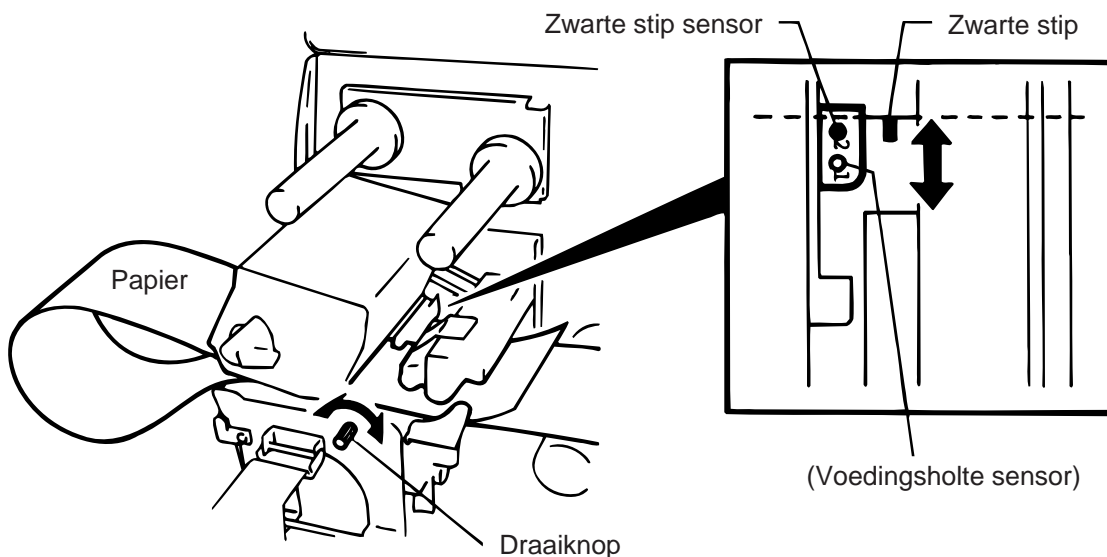
OPMERKING: Verlies de verwijderde bovenplaten vooral niet. Ze zijn nodig indien rollen met de etiketten naar binnen gebruikt worden.

9. Stel de papiersensor in. Draai de knop naar rechts om hem naar voor te schuiven of naar links om hem naar achter te schuiven.

■ Instellingsprocedure van de zwarte stip sensor

(Met volgende procedure zal deze instelling gemakkelijk verlopen.)

- ① Voer ongeveer 500 mm papier uit de drukker, vouw het om en duw het uiteinde onder de drukkop tot aan de papiersensor.
- ② Stel de sensor in op het centrum van de zwarte stip (de bovenste holte stemt overeen met de positie van de sensor).

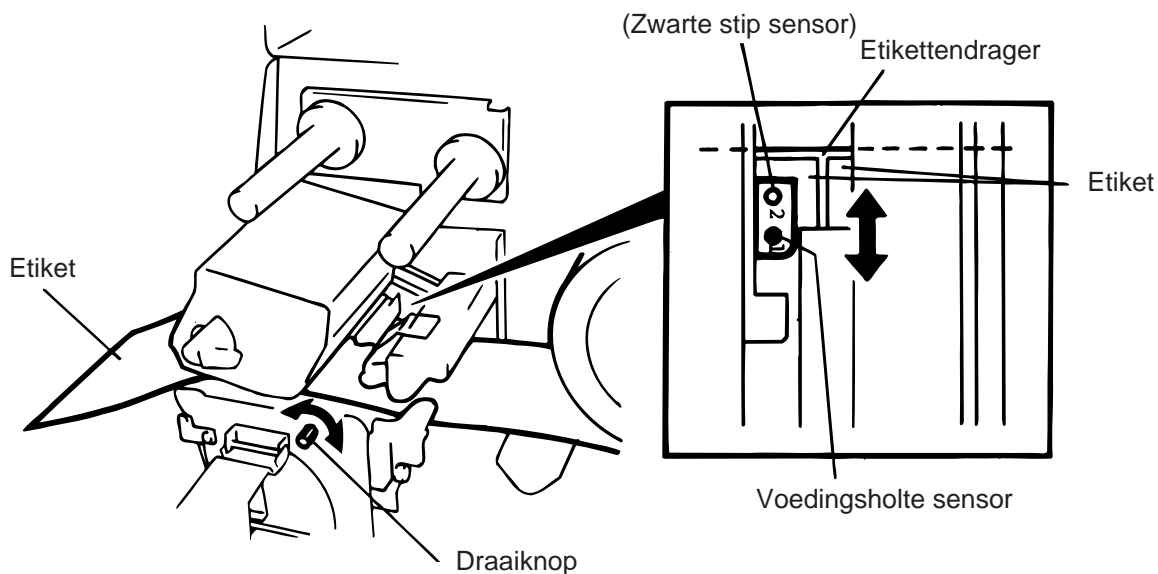


Figuur 6-7

OPMERKING: De zwarte stip sensor moet ingesteld staan op het centrum van de zwarte stip anders is kans op papieropstopping.

■ Instellingsprocedure van de voedingsholte sensor

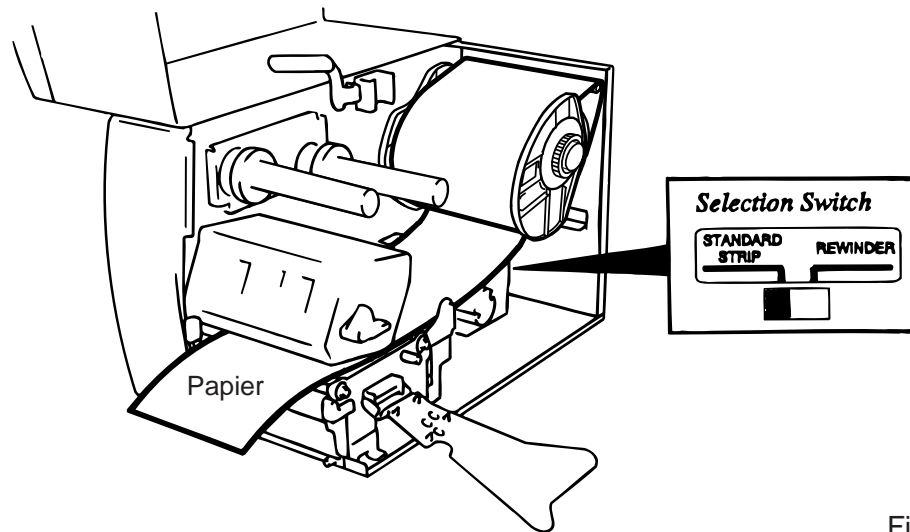
- ① Stel de voedingsholte sensor in op de voedingsholte. (De onderste holte stemt overeen met de positie van de sensor.)



Figuur 6-8

10. Het laden van het papier en de instelling van de papiersensor zijn voltooid.

Batch type:

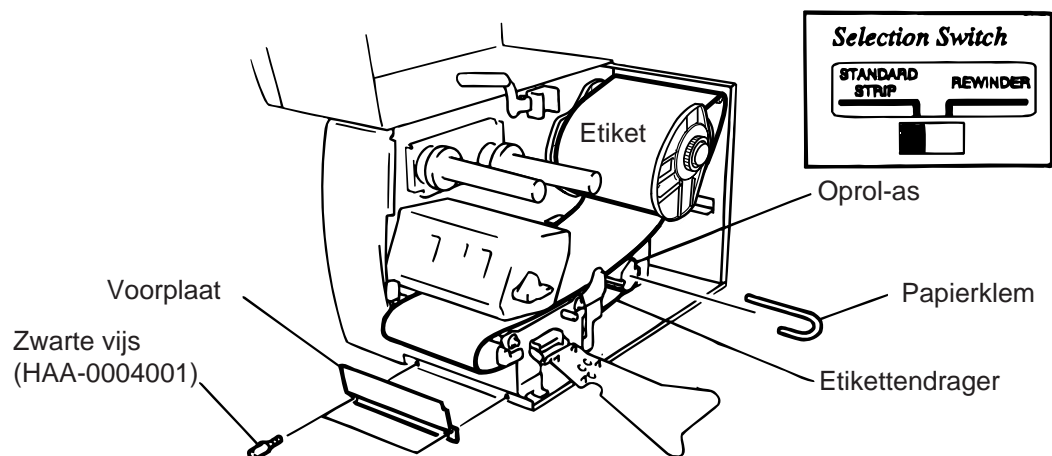


Figuur 6-9

OPMERKING: Plaats de selektieschakelaar op de STANDARD/STRIP positie.
Een ongeschikte positionering kan de drukkwaliteit nadelig beïnvloeden.

Afpeel type:

- ① Strip alle etiketten van de etikettendrager over een lengte van 500 mm.
- ② Draai de etikettendrager rond de oprol-as (tegenwijzerszin). Maak de etikettendrager vast op de oprol-as door middel van de papierklem.
- ③ Draai de papierdrageras enkele malen tegenwijzerszin om de etikettendrager degelijk op te spannen.



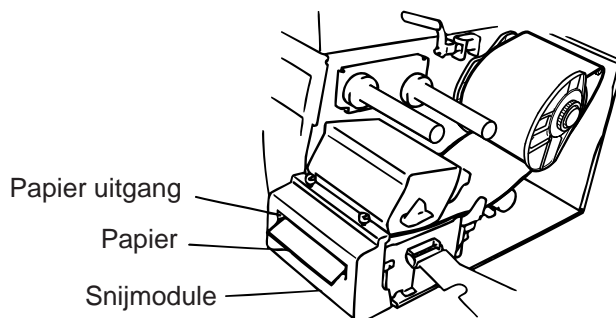
Figuur 6-10

OPMERKING:

1. De etikettendrager is gemakkelijker in te brengen als het voorpaneel weggenomen wordt.
2. Plaats het langste gedeelte van de papierklem in de gleuf die zich op de oprol-as bevindt.
3. Plaats de selektieschakelaar op de STANDARD/STRIP positie.

Snijtype: Wanneer het mes gebruikt wordt, moet het papier door de uitgang van de snijmodule doorgevoerd worden.

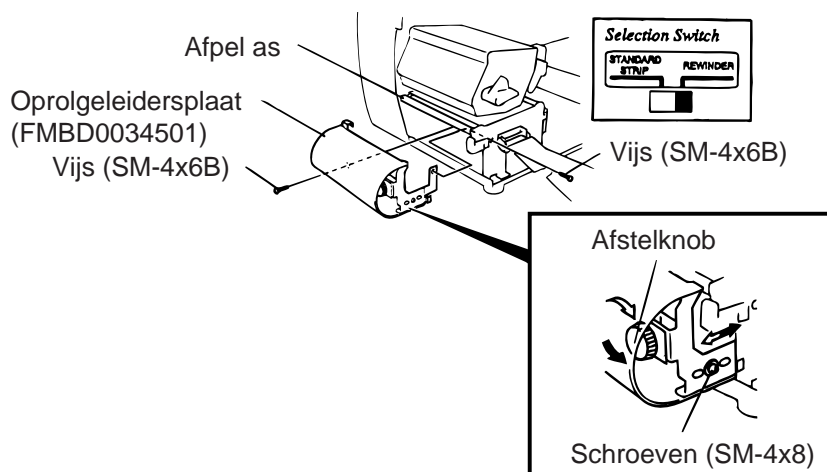
- OPMERKING:**
1. Let er voor op dat de drager meegesneden wordt. Indien lijm van de etiketten op het mes blijft plakken, heeft dit schadelijke gevolgen voor zijn levensduur en kwaliteit.
 2. Zet de DIP SW positie 5 op "aan" indien de top van de etiketten zich windt rond de drukrol tijdens het snijden.
 3. Voor het model met cutter mag de selektieschakelaar op beide posities geplaatst worden.



Figuur 6-11

Ingebouwd oprol type:

- ① Verwijder twee zwarte vijzen en het voorpaneel.
- ② Plaats de oprolplaat tegen de afpelgleuf en bevestig de plaat d.m.v. de twee vijzen.



Figuur 6-12

OPMERKING: Plaats de selektieschakelaar op de REWINDER positie.

- ③ Vervolg met zelfde procedure als afpel type.
- ④ Afstelling
Indien de etiketten in de horizontale richting verlopen, moet de volgende afstelling uitgevoerd worden:
 - * Verloop naar rechts:
Draai de SM-4x8 schroef los met een schroevendraaier. Draai de afstelknop wijzerzin, totdat het papier recht loopt, en zet de schroef vast.
 - * Verloop naar links:
Draai de SM-4x8 schroef los met een schroevendraaier. Draai de afstelknop tegenwijzerzin, totdat het papier recht loopt, en zet de schroef vast.

7. HET LADEN VAN LINT

WAARSCHUWING!

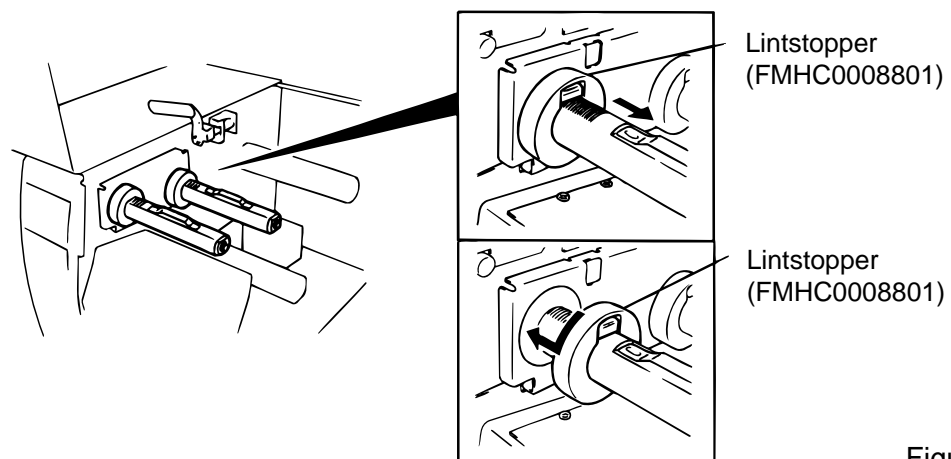
1. *Reak geen bewegende delen aan. Plaats de schakelaar op OFF om elke beweging te stoppen en het risico dat vingers, juwelen, kleding enz. door een bewegend deel gevangen worden uit te sluiten.*
2. *Let op voor kwetsuren en verplettering van uw vingers bij het openen en sluiten van de kap.*

Twee soorten papier kunnen gebruikt worden: standaard papier en thermisch papier. LAAD NOOIT geen lint als thermisch papier gebruikt wordt.

1. Als een smal lint gebruikt wordt, moeten de lintstoppers op de breedte van het lint ingesteld worden door ze naar voor te glijden.

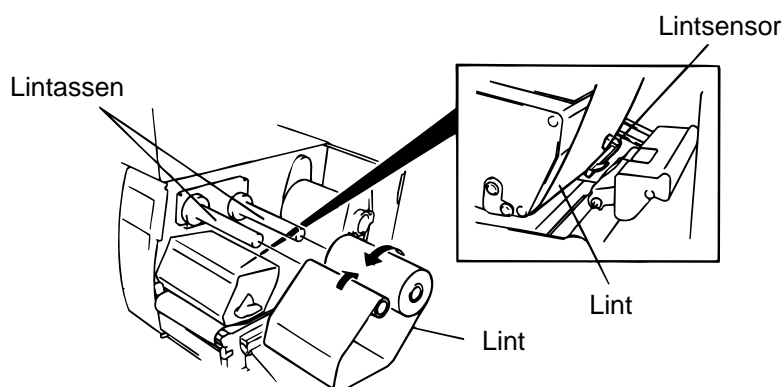
De lintstoppers komen los door ze met 90° te verdraaien. Draai de lintstoppers weer vast op dezelfde manier.

OPMERKING: *Wanneer de lintstoppers gebruikt worden, bevestig deze dan in de korrekte positie op de as I.*



Figuur 7-1

2. Ontspan het lint en laad het zoals vermeld op de figuur. Het lint moet tussen de lintsensor liggen.
3. Draai de lintassen naar binnen om het lint op te spannen.



Figuur 7-2

4. Plaats de lindhoudersplaat terug in rechte lijn met de lindhouders.
5. Draai de drukkophendels wijzerszin om de drukkop naar omlaag te brengen.
6. Sluit het hoofddekseel.

8. INSTALLATIE VAN DE "FLASH GEHEUGEN" KAART (Optie)

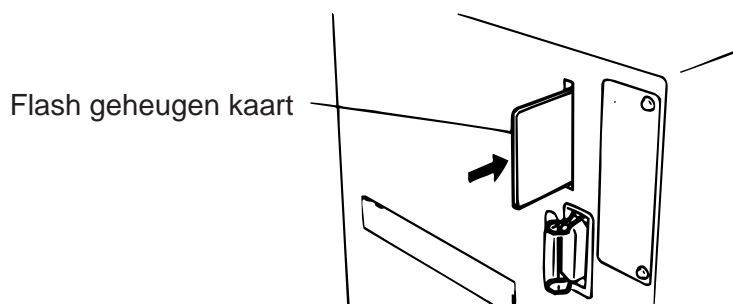
VERWITTIGING!

Zet de drukker steeds af om de flash geheugen kaart in en uit haar slot te halen.

LET OP:

Beveilig de geheugenkaarten tegen de statische electriciteit van uw lichaam door de achterkap van de drukker aan te raken voor u de kaarten neemt.

1. Zet de drukker af.
2. Duw de flash geheugen kaart waarop de gegevens, logo's, karakters en drukkommando's bewaard werden in haar slot.
3. Zet de drukker aan.



Figuur 8-1

- OPMERKINGEN:**
1. Bescherm de flash geheugen kaart door haar steeds in haar houder op te bergen.
 2. Vermijd druk- en schokbewegingen bij de behandeling van de flash geheugen kaart.
 3. Vermijd blootstelling van de kaart aan te hoge temperaturen afkomstig van zonlicht of verwarmings-toestellen.
 4. Vermijd blootstelling van de flash geheugen kaart aan vochtigheid door haar te wrijven met een natte doek of haar achter te laten in een vochtige ruimte.
 5. De drukker moet steeds afgezet worden alvorens de flash geheugen kaart in en uit haar slot te halen.
 6. Volgende flashkaarten kunnen gebruikt worden. (De 1 MB flashkaart is "read only", de 4 MB flashkaart is respectievelijk "read/write").

Vermogen	Maker	Type	Code toestel	Code maker
1M Byte	Maxell	EF-1M-TB AA	D0H	1CH
	Mitsubishi	MF81M1-GBDAT01		
4M Byte	Maxell	EF-4M-TB CC	88H	B0H
	Maxell	EF-4M-TB DC	ADH	04H
	Centennial Technologies INC.	FL04M-15-11119-03		01H
	INTEL	IMC004FLSA	A2H	89H
	Simple TECHNOLOGY	STI-FL/4A		
	Mitsubishi	MF84M1-G7DAT01		
	PC Card KING MAX	FJN-004M6C	A0H	89H
PC Card	FJP-004M6R			

9. VOORZORGEN EN BEHANDELING VAN HET VERBRUIKSMATERIAAL

WAARSCHUWING:

Lees aandachtig deze handleiding en zorg ervoor dat de inhoud goed begrepen werd. Gebruik enkel de door TOSHIBA TEC aanbevolen media en etiketten. Het gebruik van andere media/etiketten kunnen aanleiding geven tot onleesbare barkodes en beschadiging van de drukkop. De gebruikte media moet zich in een perfecte staat bevinden. Beschadigd materiaal kan aanleiding geven tot onleesbare barkodes en beschadiging van de drukkop. Lees aandachtig de volgende richtlijnen.

- Eerbiedig de aanbevolen opbergtermijn.
- De rollen moeten op hun vlakke zijden opgeborgen worden. Vervormd materiaal kan aanleiding geven tot een slechte mediavoeding en een slechte drukwaliteit.
- Bewaar het materiaal in een plastic zakje dat steeds zorgvuldig wordt afgesloten. Het materiaal moet beveiligd worden tegen stof en vuiligheid. Stof en vuiligheid kunnen vroegtijdige slijtage van de drukkop tweekbrengen.
- Bewaar het materiaal koel en droog. Vermijd locaties blootgesteld aan rechtstreeks zonlicht, hoge temperaturen, vochtigheid, stof en gassen.
- Het thermisch papier gebruikt voor thermische druk mag de volgende waarden niet overschrijden: Na⁺ 800 ppm, K⁺ 250 ppm en CL⁻ 500 ppm.
- De samenstelling van sommige inktsoorten op voorgedrukte etiketten kan chemische bestanddelen bevatten die de levensduur van de drukkop kunnen beïnvloeden. Gebruik geen voorgedrukte etiketten met inktsoorten die harde componenten zoals Calcium Carbonate (CaCO₃) en kaolin (Al₂O₃, 2SiO₂, 2H₂O) inhouden.

Voor meer informatie, kunt u zich wenden tot de leverancier van uw drukker of media.

10. ONDERHOUD

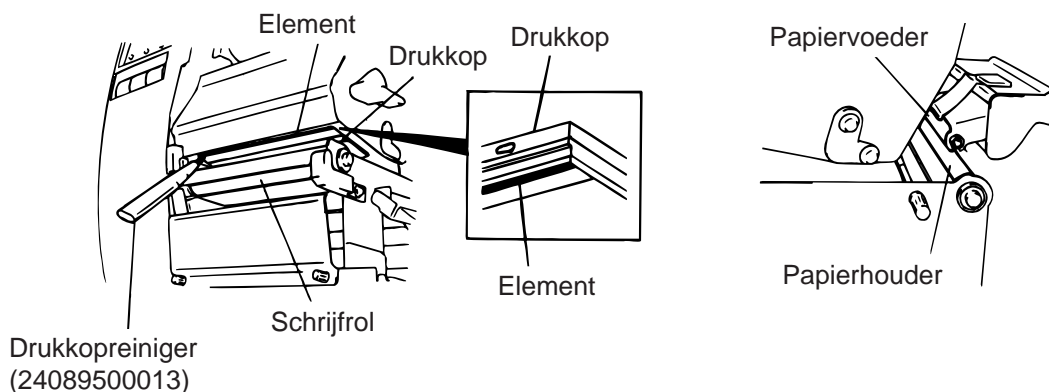
WAARSCHUWING!

1. Wees voorzichtig, de drukkop kan zeer heet worden.
2. Let op het mes voor verwondingen.
3. Reak geen bewegende delen aan. Plaats de schakelaar op OFF om elke beweging te stoppen en het risico dat vingers, juwelen, kleding enz. door een bewegend deel gevangen worden uit te sluiten.
4. Let op voor kwetsuren en verplettering van uw vingers bij het openen en sluiten van de kap.

10.1 Reiniging

Reiniging van het materiaal is nodig om de goede kwaliteit van het materiaal te bewaren. Naargelang de intensiteit van het gebruik moet het materiaal elke dag of een maal per week onderhouden worden

1. Zet de drukker af.
2. Open het deksel.
3. Maak de drukkop los door middel van de hendels.
4. Verwijder lint en papier.
5. Reinig de drukkop met de drukkopreiniger.
6. Reinig de schrijffrol, de papierdragers en houders met behulp van een met alcohol bevochtigde doek. Verwijder stof of ander vuil dat zich aan de binnenkant van de drukker zou bevinden.



Figuur 10-1

WAARSCHUWING!

1. Haal de stekker uit het stopcontact, alvorens de drukker te reinigen.
2. Gebruik geen voorwerpen die de drukkop zouden kunnen beschadigen.
3. Vermijd rechtstreeks contact van de drukker met water.

10.2 Beschermingsvlakken en deksels

Reinig de buitenzijde van de drukker met een droge doek of een doek die lichtjes met reinigingsmiddel werd bevochtigd.

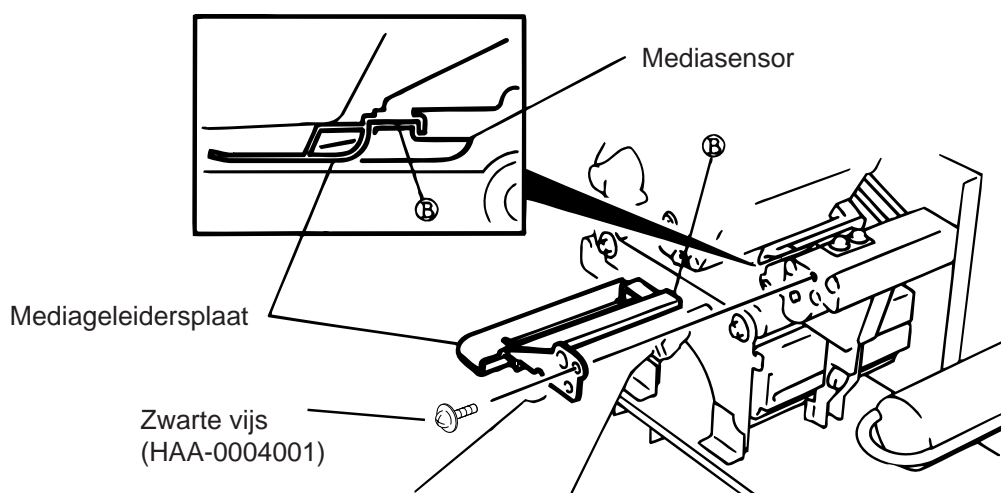
OPMERKING: *Reinig het deksel van de drukker met een antistatisch reinigingsmiddel voor het onderhoud van geautomatiseerd bureaumateriaal.*

WAARSCHUWING!

1. Vermijd rechtstreeks contact met water.
2. Vermijd rechtstreeks contact met een reinigingsmiddel of detergent.
3. Gebruik nooit geen thinner of ander vluchtige oplossingsmiddelen voor de reiniging van het plastic gedeelte.
4. Reinig nooit de buitenkant van de printer met alcohol. Dit kan verkleuring, vervorming of aantasting van de structuur van het materiaal veroorzaken.

10.3 Papieropstopping

1. Zet de drukker af.
2. Open het deksel.
3. Draai de drukkophendel op de positie ③ en verwijder de linthouderplaat.
4. Verwijder de zwarte vijs teneinde de mediageleidersplaat vrij te maken. (Zie figuur 10-2)
5. Verwijder lint en papier.
6. Verwijder het papier dat vastgelopen is. Gebruik geen voorwerpen die de drukker kunnen beschadigen om het papier los te trekken.
7. Indien nodig, verwijder stof of ander vuil.
8. Plaats deel ② van de geleidersplaat op de mediasensor. Vijs de mediageleidersplaat vast d.m.v. de zwarte vijs.



Figuur 10-2

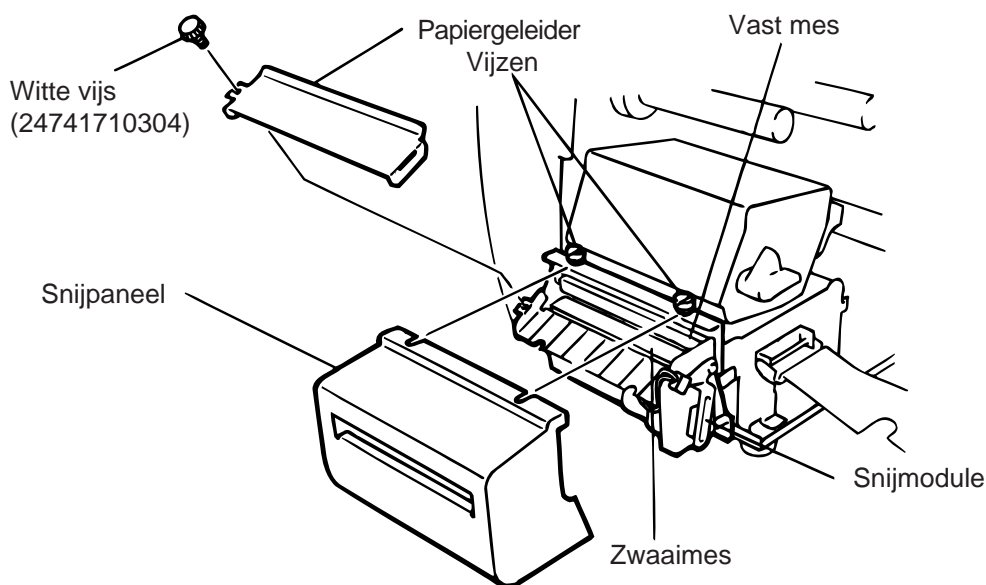
9. Bij gebruik van de snijmodule kan papieropstopping het gevolg zijn van slijtage van het mes of kleverige stof op het mes. Gebruik geen etiketten die buiten de standaard vallen met het mes. Contacteer een erkende dienstverdelers indien papieropstopping ter hoogte van het snijkontakt veelvuldig voorkomt.

■ Reiniging van de snijmodule

WAARSCHUWING!

1. Zet de drukker steeds af om de snijmodule te reinigen.
2. Let op het mes voor verwondingen.

1. Maak twee vijzen los en verwijder het snijpaneel.
2. Verwijder de witte vijs en de papierleider.
3. Verwijder het vastgelopen papier en vuiligheid.
4. Reinig het mes met een droge doek.



Figuur 10-3

5. De montage geschiedt in omgekeerde volgorde.

■ Automatische lintbesparing

Deze optie wordt geactiveerd door middel van de DIP switch schakelaar (zie pagina 4-1), maar de niet bedrukte zones moeten evenwel 20 mm overschrijden.

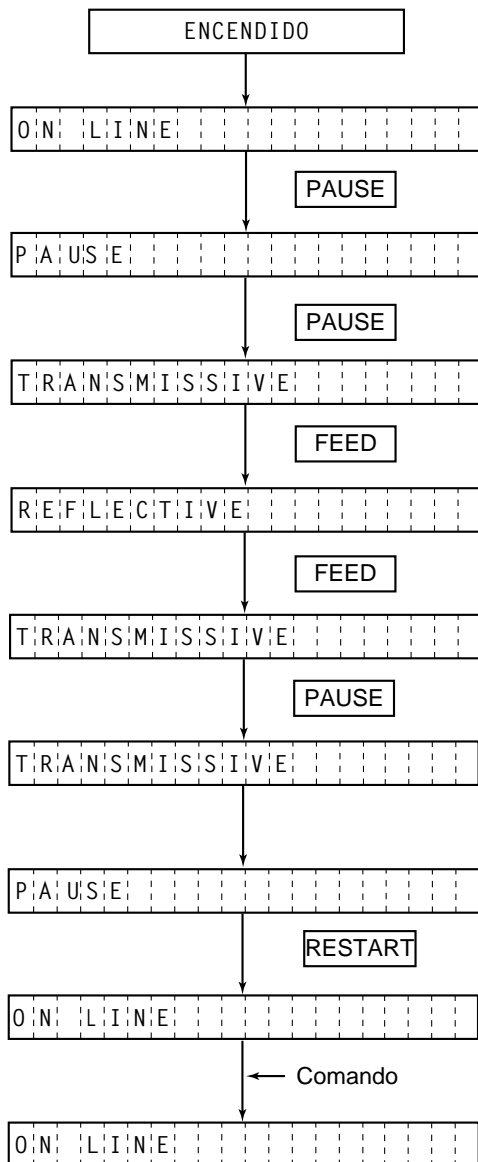
OPMERKING: Het lintverlies per lintbesparing varieert in overeenstemming met de verhouding tussen de externe diameter van het opgerolde lint en de druksnelheid, zoals hieronder wordt aangegeven:

Druksnelheid	Lintverlies
3"/sec.	Ongeveer 5 mm
5"/sec.	Ongeveer 8 mm
8"/sec.	Ongeveer 17 mm

10.4 Instelling van de voedingholte

De spatiesensor zorgt ervoor dat elk etiket automatisch op hetzelfde startpunt wordt bedrukt. Bij gebruik van voorgedrukte etiketten, kan het gebeuren dat, naargelang de inktsoort, de sensor er niet in slaagt de voedingsholte te detecteren. In dat geval moet de sensor met behulp van het bedieningsbord van de drukker ingesteld worden.

■ Instellingsprocedure



- (1) De drukker is gereed.
- (2) Laad een rol media volgens de normale procedure.
- (3) Druk de **[PAUSE]** toets in.
- (4) De drukker zet zich in pauze.
- (5) Druk de **[PAUSE]** toets in en hou de toets minstens 3 seconden ingedrukt terwijl de drukker zich in pauze bevindt.
- (6) Het type sensor verschijnt op het scherm.
- (7) Druk de **[FEED]** toets in.
- (8) De reflectiesensor (zwarte stip) is geselecteerd.
- (9) Druk de **[FEED]** toets opnieuw in.
- (10) De transmissiesensor (opening tussen twee etiketten) is geselecteerd.
- (11) Druk de **[PAUSE]** toets in en hou de toets ingedrukt.
- (12) De media wordt doorgevoerd tot zolang de **[PAUSE]** toets ingedrukt is.
- (13) Laat de **[PAUSE]** toets los nadat 1,5 etiket doorgevoerd werd. (De opening tussen twee etiketten werd aldus ingesteld).
- (14) Druk de **[RESTART]** toets in.
- (15) De drukker is gereed.
- (16) Stuur een uitvoercommando van de PC naar de drukker.

OPMERKINGEN:

1. Indien de **[PAUSE]** toets binnen 3 seconden losgelaten wordt, terwijl de drukker zich in pauze bevindt, wordt geen papier doorgevoerd.
2. Om de opening tussen twee etiketten correct in te stellen, moeten minsten 1.5 tot 2 etiketten doorgevoerd worden.
3. Terwijl de drukkop geheven is, werkt de **[PAUSE]** toets niet.
4. Fouten met betrekking tot papiereinde and snijmes worden niet waargenomen tijdens de doorvoer van papier.
5. Selectie van de transmissiesensor (indien voorgedrukte etiketten) d.m.v. het aanvoercommando en het uitvoercommando stelt de drukker in staat de juiste startpositie van het etiket te achterhalen ook indien voorgedrukte etiketten gebruikt worden.
6. Indien de startpositie onjuist blijkt te zijn niettegenstaande de instelling van de openingsensor, moet deze sensor via de systeemmode op punt gesteld worden. Voer nadien opnieuw een instelling van de openingsensor uit. Vergewis u ervan dat de transmissiesensor (voorgedrukte etiketten) geselecteerd werd (zowel d.m.v. aanvoer- als uitvoercommando).

11. MOGELIJKE PROBLEMEN

WAARSCHUWING!

Mocht er zich een probleem voordoen dat met onderstaande tabel niet opgelost kan worden, probeer niet de drukker zelf te herstellen. Zet de drukker af, haal de stekker uit het stopcontact en stel u in verbinding met een erkende dienstverlener.

Foutmelding	Probleem	Oplossing
PAPIER VAST ****	<ol style="list-style-type: none"> 1. Het papier werd verkeerd ingebracht. 2. Het papier is vastgelopen en wordt niet meer doorgevoerd. 3. Het papier dat opgeladen werd is niet geschikt voor deze sensor. 4. De zwarte stip wordt niet gedetekteerd door de sensor. 5. De afmetingen van het papier stemmen niet overeen met de ingestelde afmetingen. 6. De spatie sensor ziet geen verschil tussen een spatie en een etiket. 	<ol style="list-style-type: none"> 1. Breng het papier korrekt in. → Druk [RESTART] toets in. 2. Verwijder het vastgelopen papier en herlaad het onbeschadigde papier. → Druk [RESTART] toets in. 3. Zet de drukker af en aan. Selecteer de juiste sensor. → Voer het papier door. 4. Stel de sensor in op de juiste plaats. → Druk [RESTART] toets in. 5. Zet de drukker af en aan. Breng de juiste afmetingen in. → Voer het papier door. 6. Stel de spatie in. Procedure zie pagina 10-4. Zet de drukker af en contacteer een erkende dienstverlener.
PRINTKOP OPEN ****	Het doorvoeren van het papier of het drukken verloopt slecht.	Zet de drukkop zoals het hoort → Druk [RESTART] toets in.
PAPIER OP ****	Het papier is opgebruikt.	Laad nieuw papier. → Druk [RESTART] toets in.
LINT OP ****	Het lint is opgebruikt.	Laad een nieuw lint. → Druk [RESTART] toets in.
OPROL VOL ****	De oprol-as is vol.	Verwijder het papier van de oprol-as. → Druk [RESTART] toets in.

Foutmelding	Probleem	Oplossing
TEMP. FOUT	De drukkop is te heet.	Zet de drukker af en laat de drukkop afkoelen.
PRINTKOP DEFECT	Dit bericht verschijnt nadat het kommando ([ESC] HD001 [LF] [NUL]) ter controle van de drukkop punten werd doorgestuurd en de drukkop beschadigd is.	<ol style="list-style-type: none"> 1. Herbegin het drukken door de toets [RESTART] in te duwen. 2. Vervang de drukkop.
LINT FOUT ****	Er is een probleem met de lintsensor.	Zet de drukker af en contacteer een erkende dienstverlener.
SNIJMES FOUT ****	Het papier is vastgelopen in de snijmodule.	<p>Verwijder het papier dat vastgelopen is en laad het onbeschadigde gedeelte op de manier.</p> <p>→ Druk [RESTART] toets in.</p> <p>Zet de drukker af en contacteer een erkende dienstverlener.</p>
FLASH MEM FOUT	Er is een fout gebeurd bij het inbrengen van de gegevens van flash geheugen.	<ol style="list-style-type: none"> 1. Zet de drukker af. Breng de flash geheugen kaart opnieuw in haar slot en herbegin. 2. Vervang de flash geheugen kaart en herbegin. 3. Zet de drukker af en contacteer een erkende dienstverlener.
FORMAAT FOUT	Het flash geheugen werd niet korrekt geformateerd.	<ol style="list-style-type: none"> 1. Zet de drukker af en probeer nogmaals. 2. Vervang het flash geheugen. 3. Zet de drukker af en contacteer een erkende dienstverlener.
GEHEUGEN VOL	Het flash geheugen is vol.	<p>Vervang de kaart door een nieuwe. Zend de gegevens die nog niet doorgestuurd werden opnieuw. (Gebruik uitsluitend kaarten van 1Mb en 4Mb)</p>
COMMUNICATIE FOUT	Er is een communicatiefout met de seriële interface.	<p>Zet de drukker af en aan of druk de toets [RESTART] in.</p> <p>Kontroleer de gegevens.</p> <p>→ Indien nodig, contacteer een erkende dienstverlener.</p>

Foutmelding	Probleem	Oplossing
ex) PC001; 0A00, Kommandofout 0300, 2, 2	Indien een fout voorkomt in de programmatie van het communicatie kommando, zullen 20 bytes vav het kommando verschijnen op de display. ([LF], [NUL] verschijnen niet.)	Verbeter het kommando en stuur het opnieuw door.
Andere foutmeldingen	Hardware en/of software problemen.	Zet de drukker af en aan. Indien het probleem nog steeds niet opgelost is, contacteer een erkende dienstverlener.
<p>OPMERKING: <i>Indien een fout niet verdwenen is na het indrukken van de toets [RESTART], moet de drukker aan en af gezet worden.</i></p> <p><i>Wanneer de drukker opnieuw aangezet wordt, zijn de gegevens verdwenen.</i></p> <p><i>**** Het aantal niet geprinte etiketten.</i></p>		

Probleem	Oplossing
Geen afdruk.	Ga na of het papier of het lint korrekert ingebracht werd.
Punten ontbreken in afdruk.	De drukkop is vuil. → Reinig de drukkop. Indien nodig, contacteer een erkende dienstverlener.
Onduidelijke afdruk.	1. De drukkop is vuil. → Reinig de drukkop. 2. Slecht lint. → Vervang het lint. 3. Verkeerd papier. → Vervang het papier.
De drukker is niet aan.	1. Duw de stekker goed in de AC-ingang. 2. Controleer de zekering. 3. Ge na of er wel wwn elektrische voeding is. (Probeer met een ander toestel.) Indien nodig, contacteer een erkende dienstverlener.
Geen snijbeweging.	1. Ga na of de drukker aan is. 2. Het papier is vastgelopen in de snijmodule. → Verwijder het papier dat vastgelopen is. Indien nodig, contacteer een erkende dienstverlener.
Kontroleer de snijlijn van het papier.	1. Reinig de messen. 2. De messen zijn versleten. → Contacteer een erkende dienstverlener.